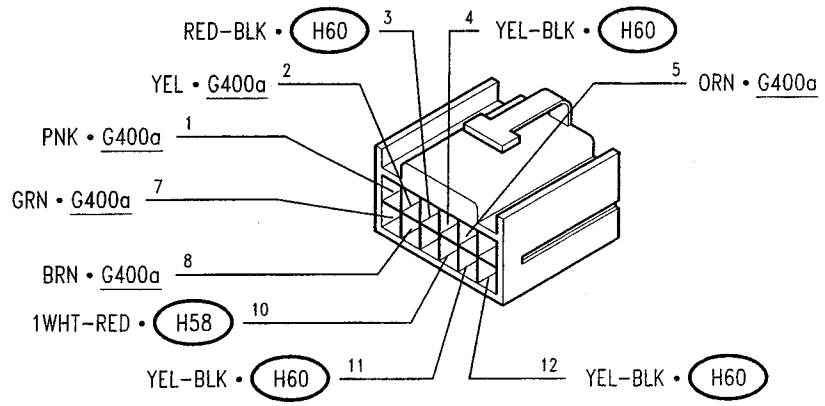
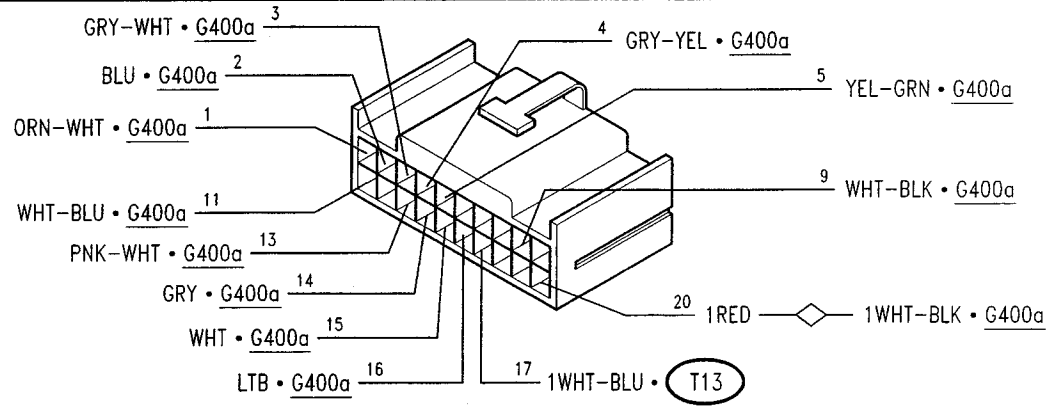


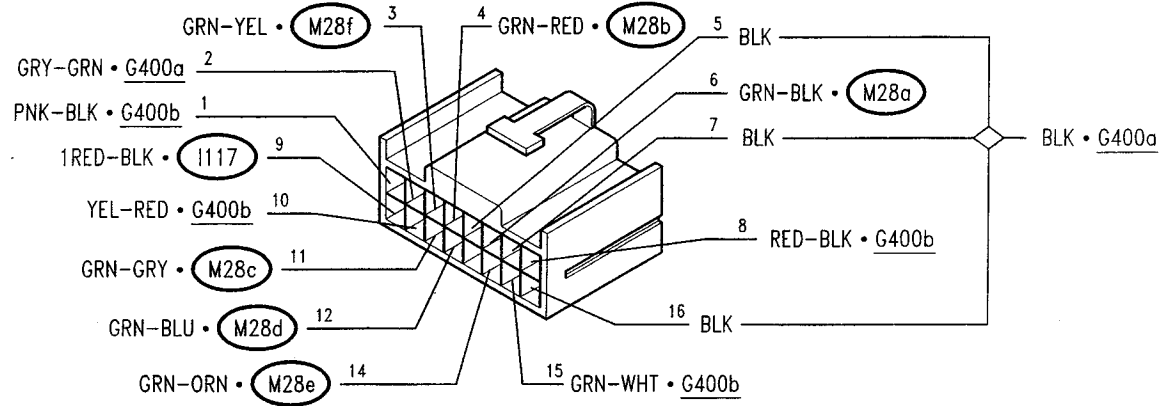
Automatically-operated hood Control unit N81 A



Automatically-operated hood Control unit N81 B

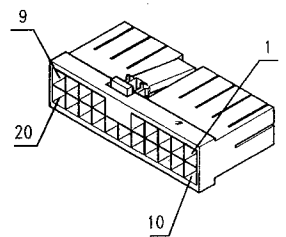


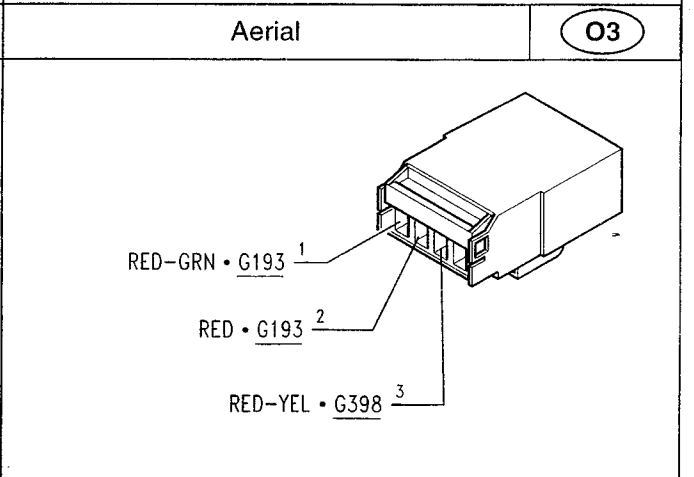
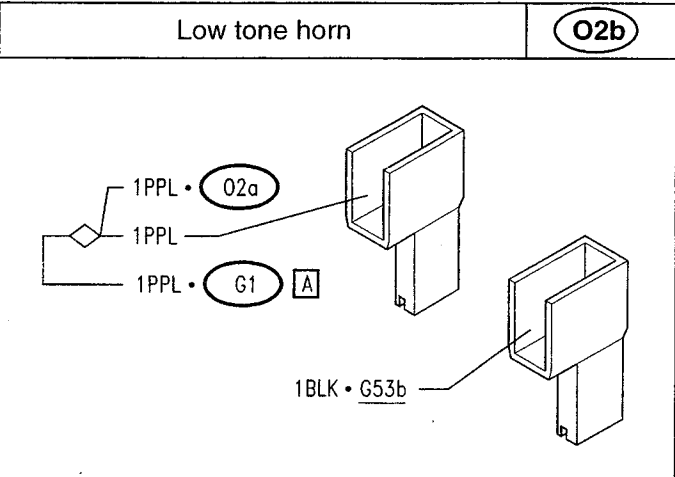
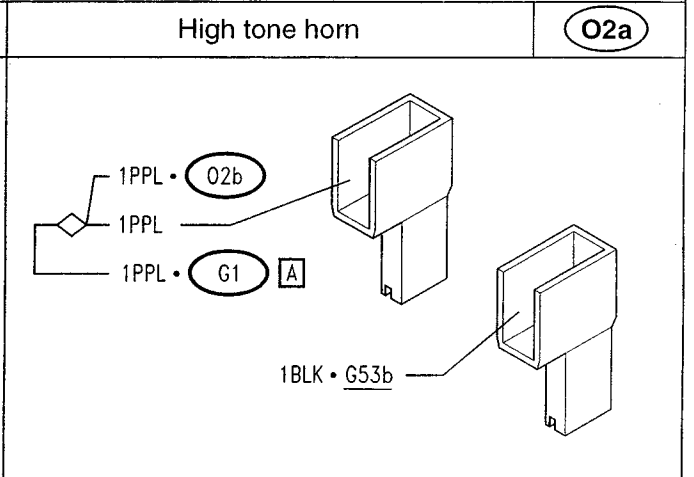
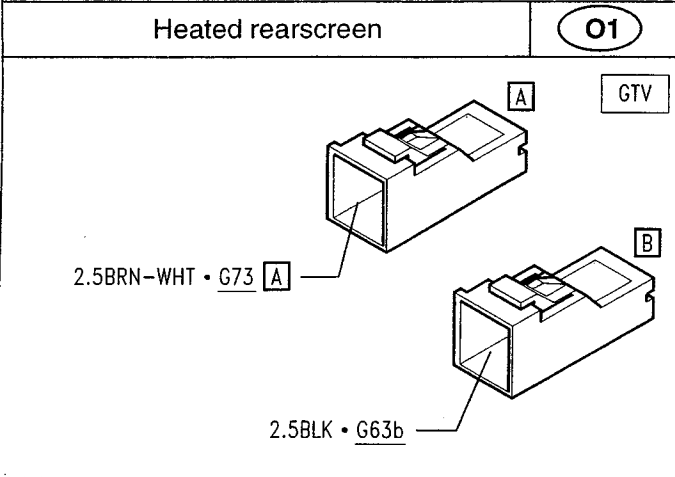
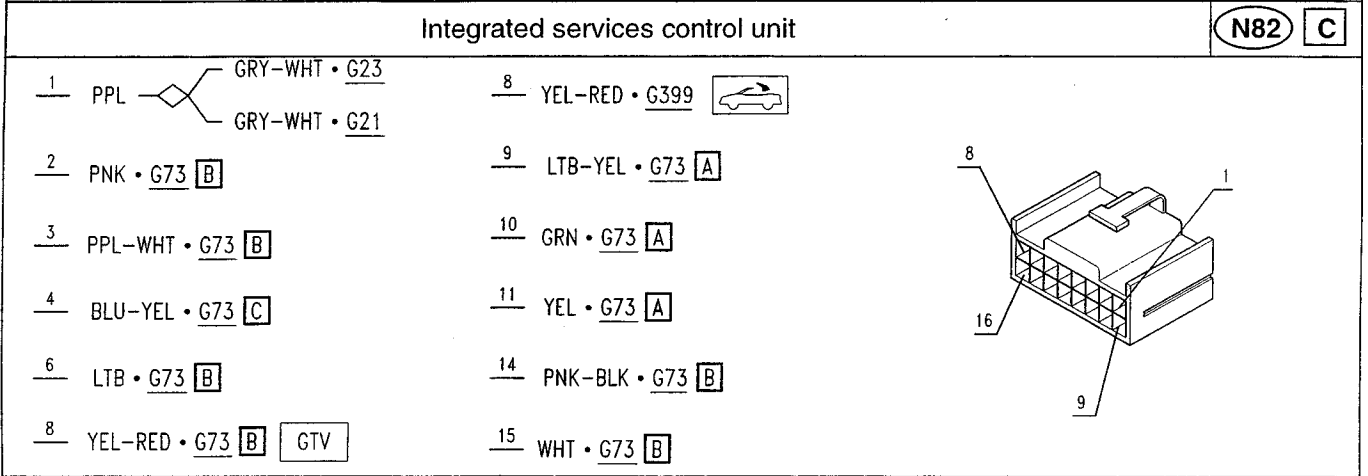
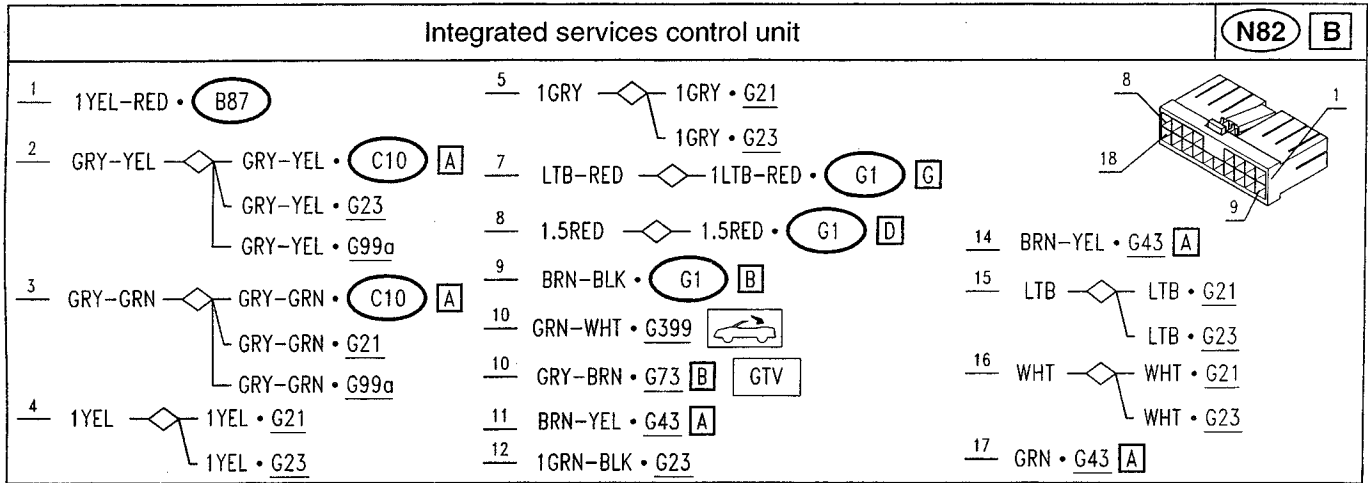
Automatically-operated hood Control unit N81 D

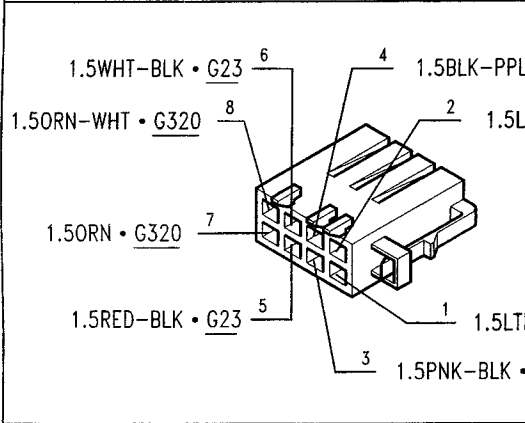
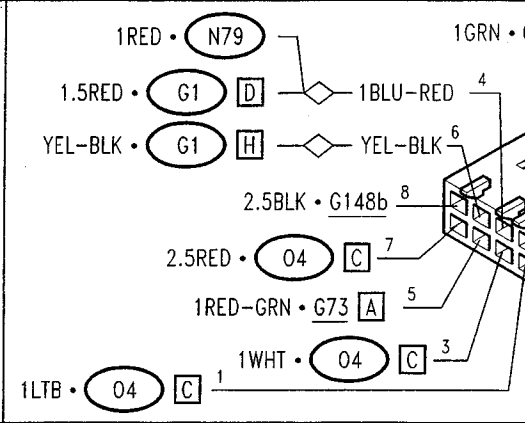
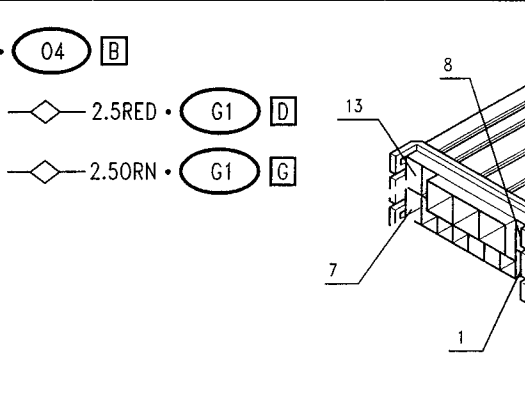
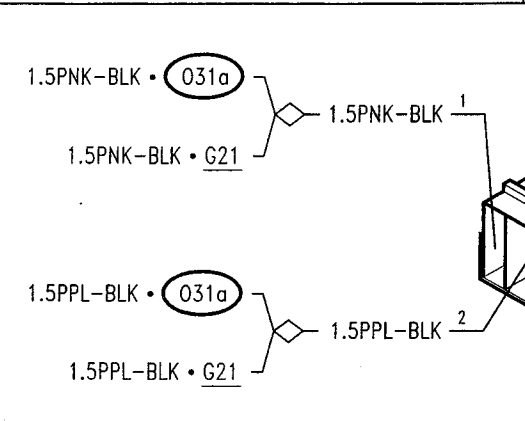
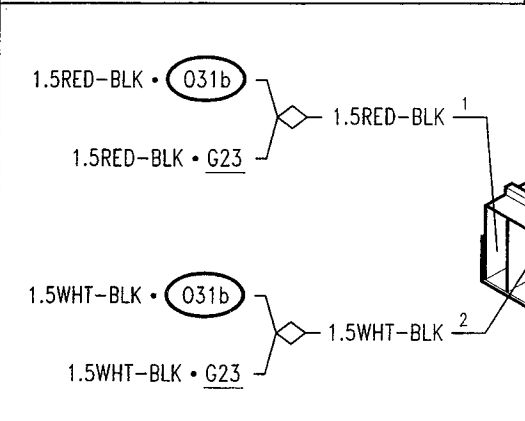
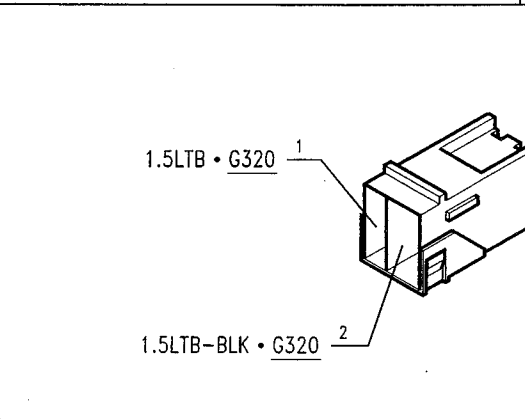
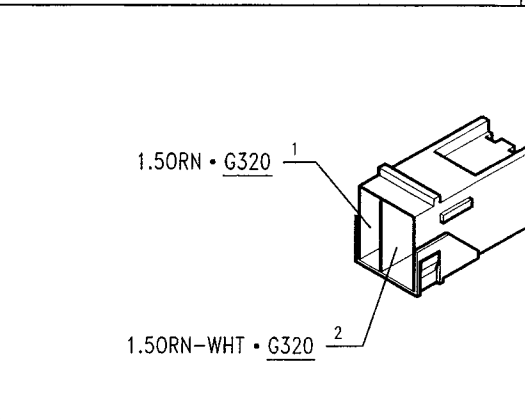


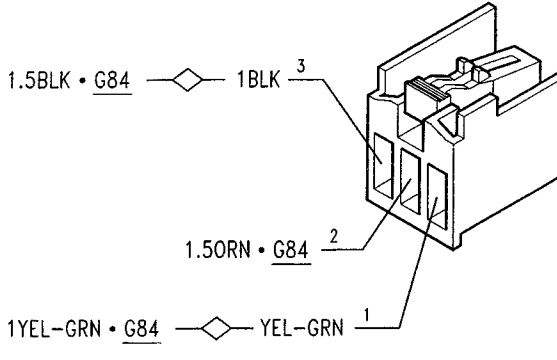
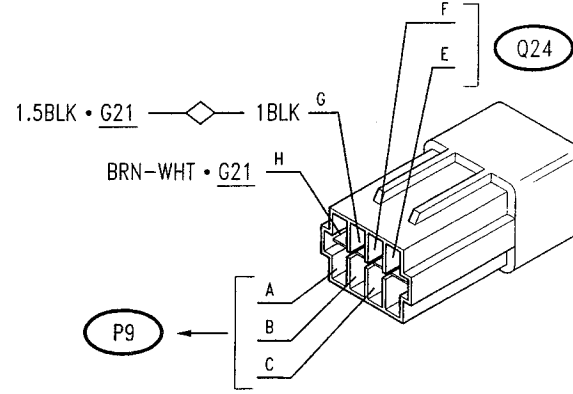
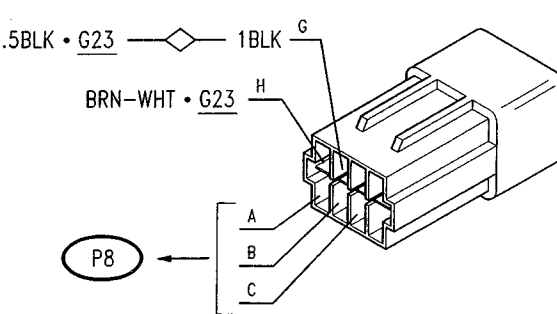
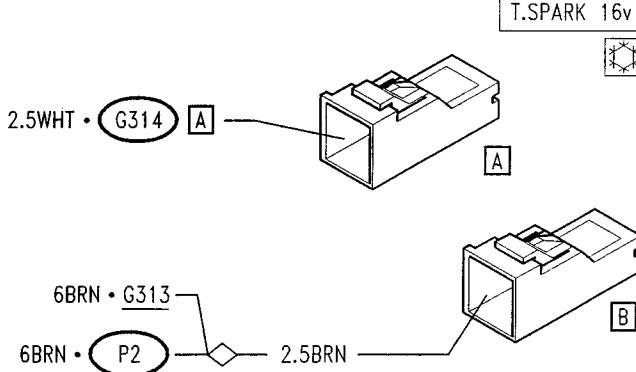
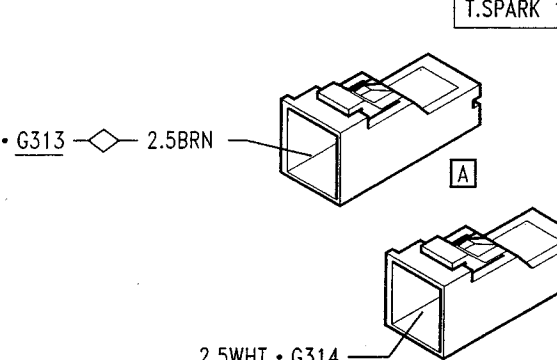
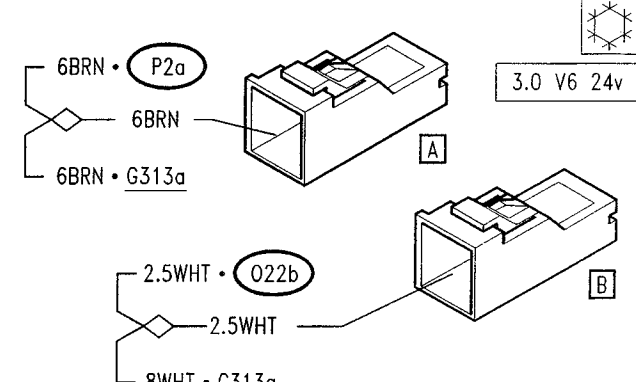
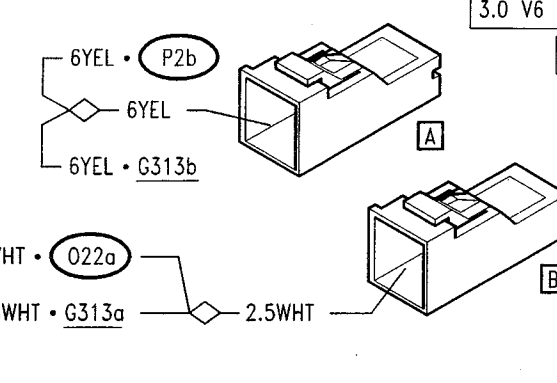
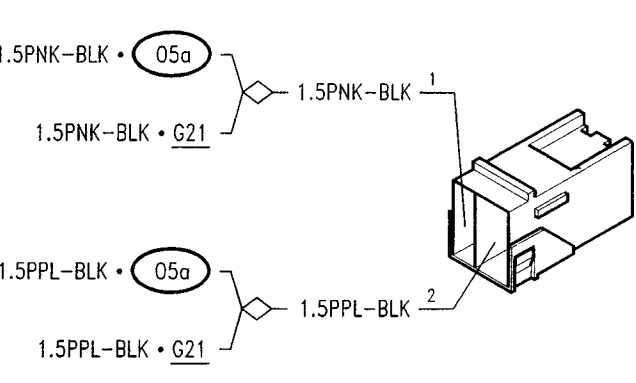
Integrated services control unit N82 A

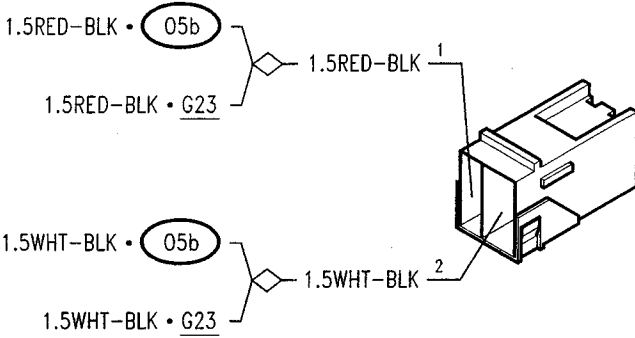
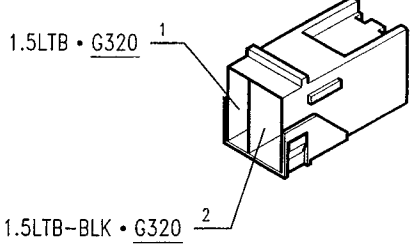
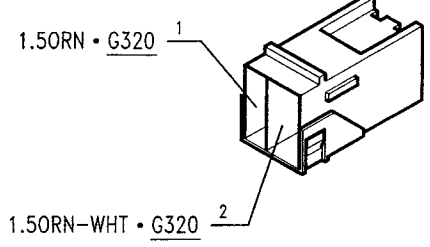
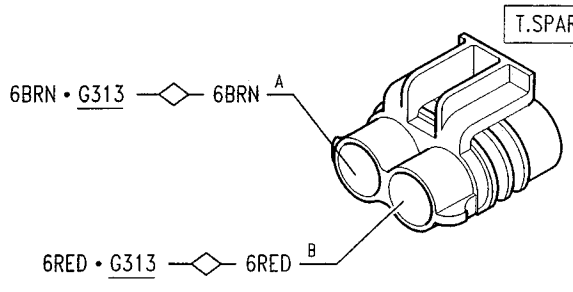
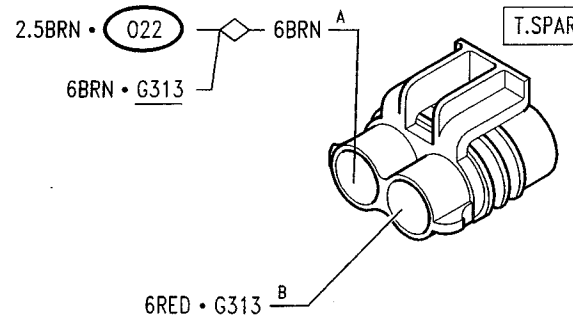
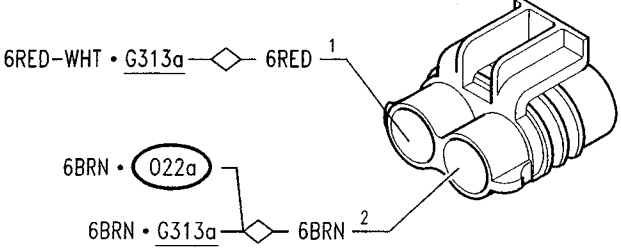
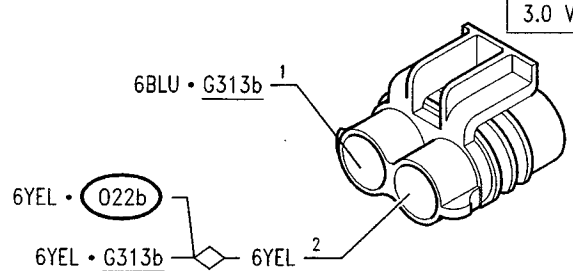
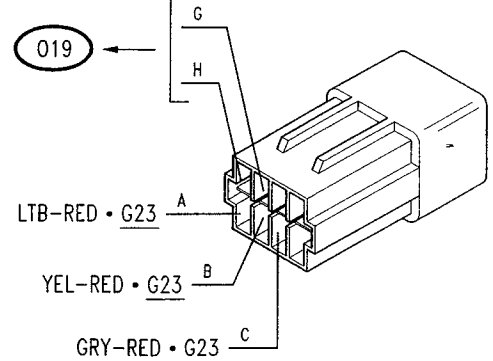
- | | | |
|--------------------|--------------------|-------------------|
| 1 1.5PPL-WHT • G21 | 8 1.5PPL-YEL • G23 | 15 1.5RED • G2 |
| 2 GRN-BLK • G21 | 9 1.5WHT-GRN • G23 | 16 1.5RED • G2 |
| 3 1.5WHT-RED • G21 | 10 ORN • G23 | 18 GRN-WHT • G23 |
| 4 1.5BLK • G148b | 11 ORN-BLK • G23 | 20 1.5BLK • G148b |
| 5 GRN-YEL • G23 | 12 RED-YEL • B61 | |
| 6 GRN • G21 | 13 1BRN • G73 A | |
| 7 1LTB-RED • G21 | 14 1PNK • G73 A | |

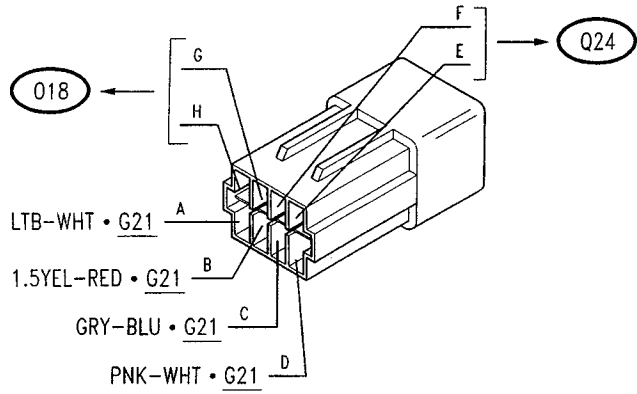
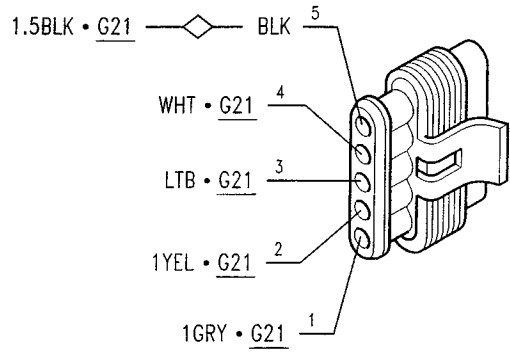
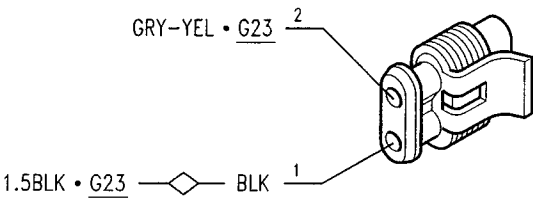
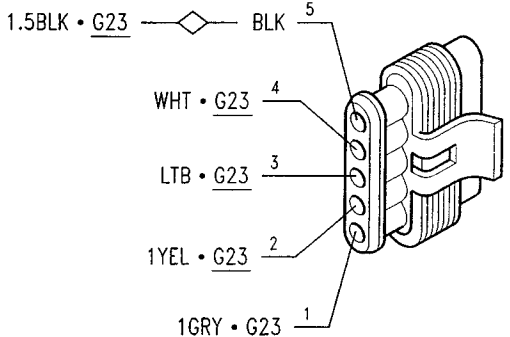
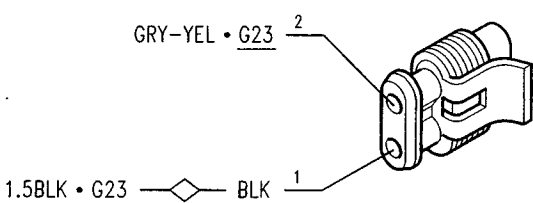
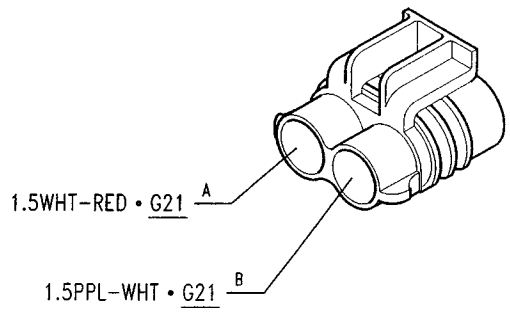
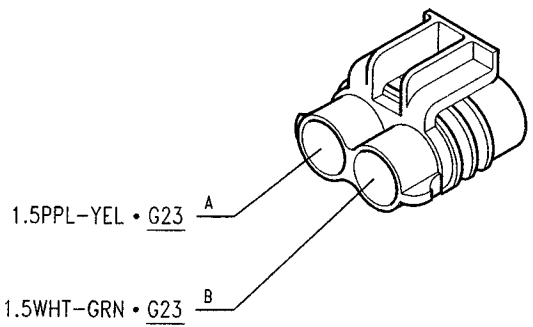
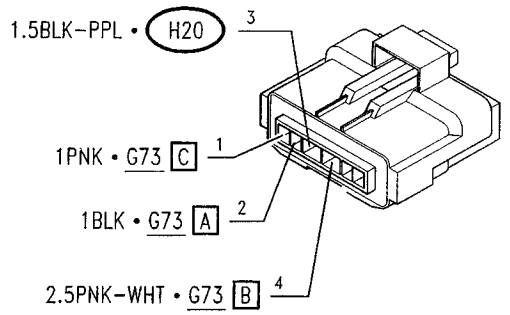


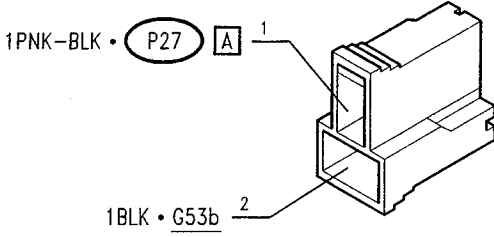
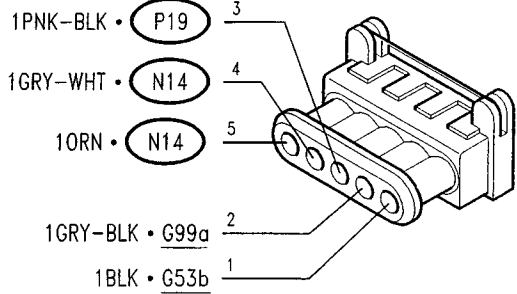
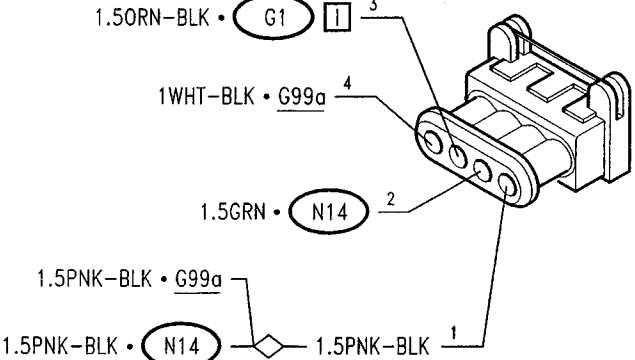
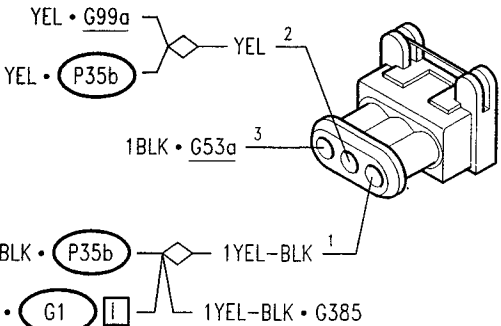
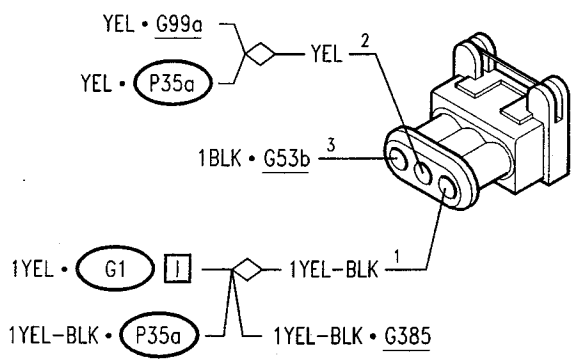
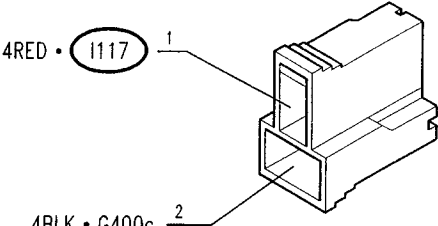
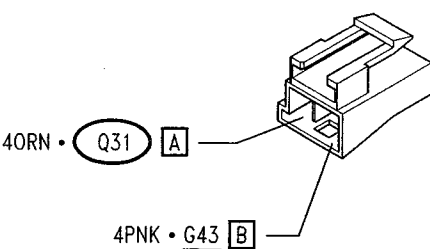

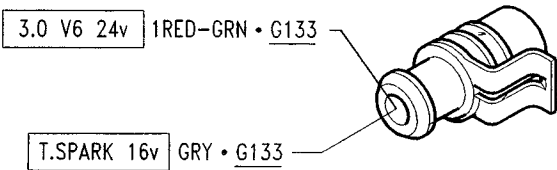
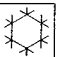


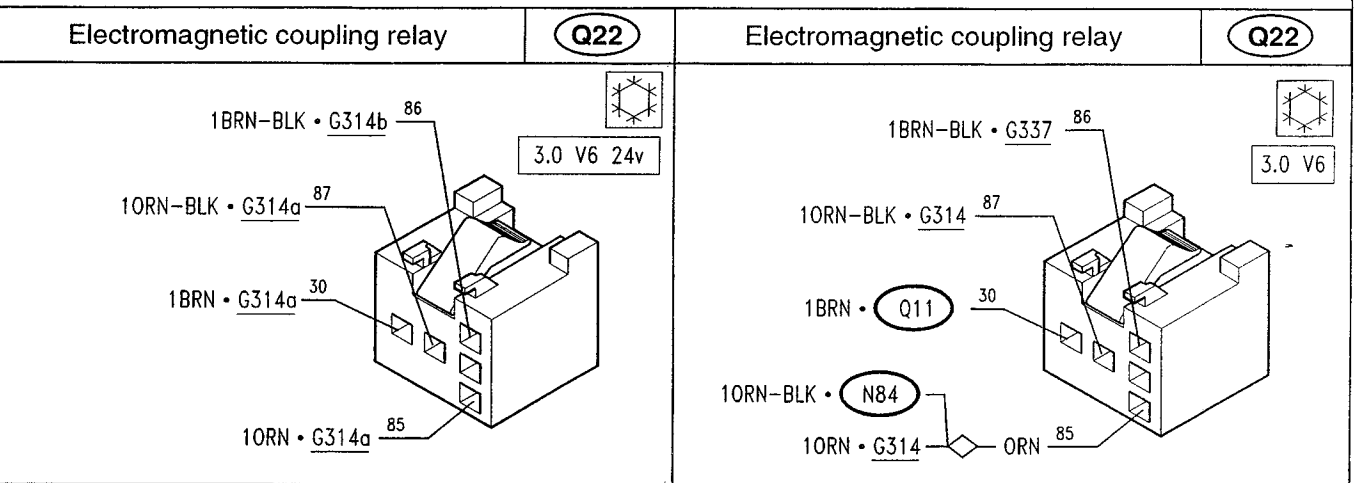
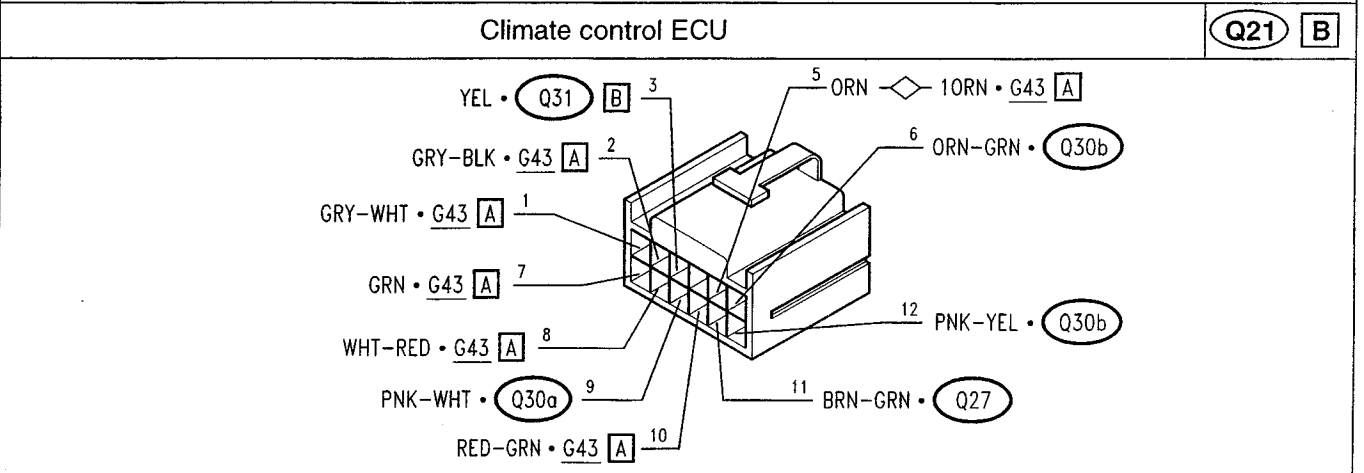
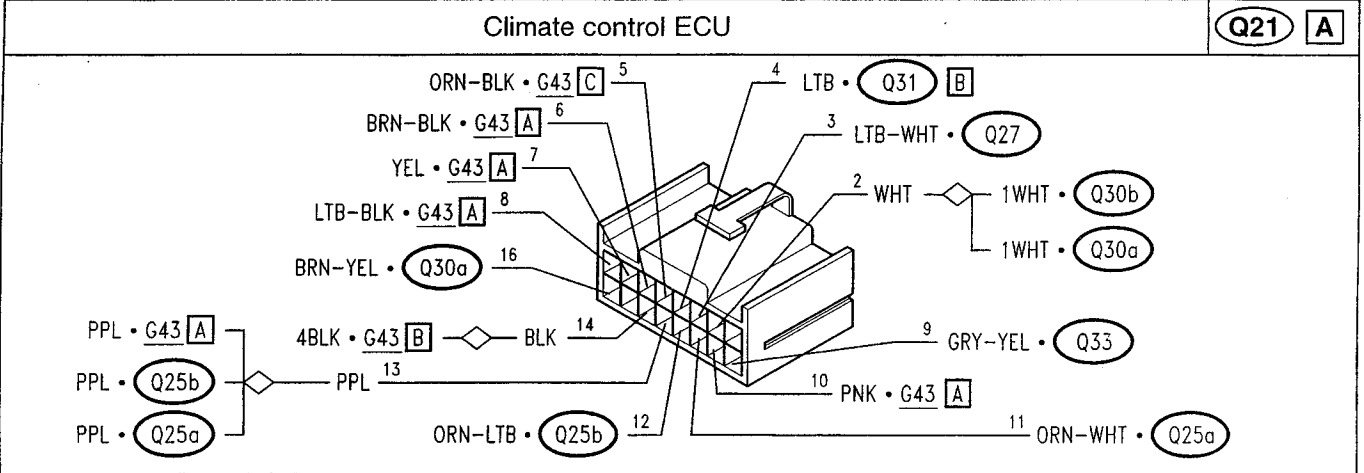
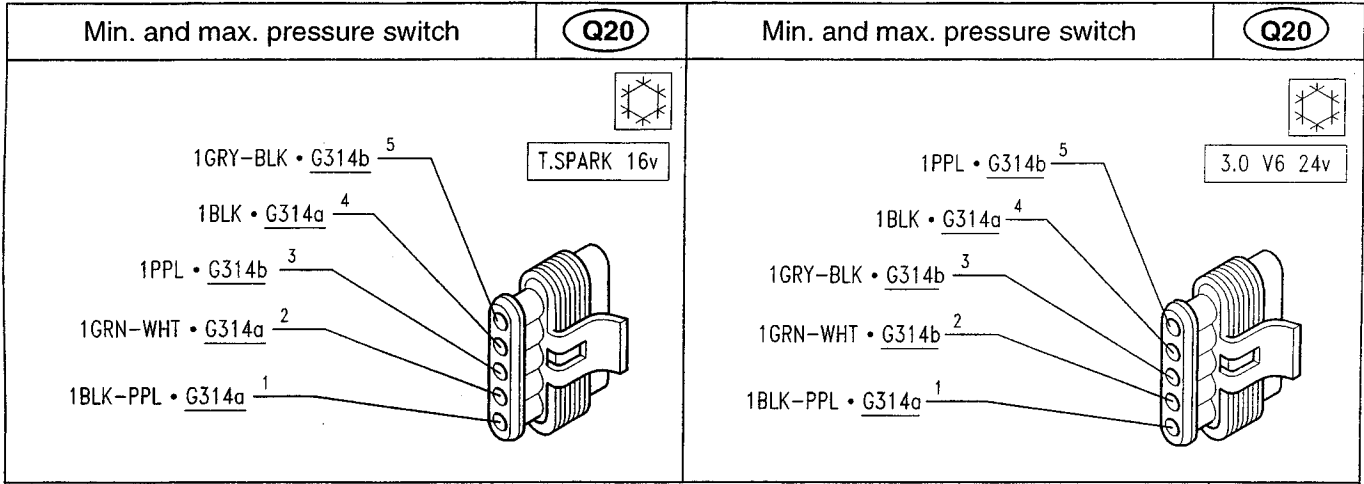
<p>Car radio</p>	<p>O4 A</p>	<p>Car radio</p>	<p>O4 B</p>
			
<p>Car radio</p>		<p>O4 C</p>	
<p>1 1GRN • O4 (B)</p> <p>2 1LTB • O4 (B)</p> <p>3 1WHT • O4 (B)</p> <p>4 1LTB-BLK — 1LTB-BLK • G124</p> <p>5 1WHT-GRN — 1WHT-GRN • G1 (C)</p> <p>6 1GRN-BLK • G84b</p>	<p>10 2.5RED • O4 (B)</p> <p>11 2.5RED — 2.5RED • G1 (D)</p> <p>12 2.5ORN — 2.5ORN • G1 (G)</p>		
<p>RH front loud-speaker</p>	<p>O5a</p>	<p>LH front loud-speaker</p>	<p>O5b</p>
			
<p>RH rear loud-speaker</p>	<p>O5c</p>	<p>LH rear loud-speaker</p>	<p>O5d</p>
<p>GTV</p> 		<p>GTV</p> 	

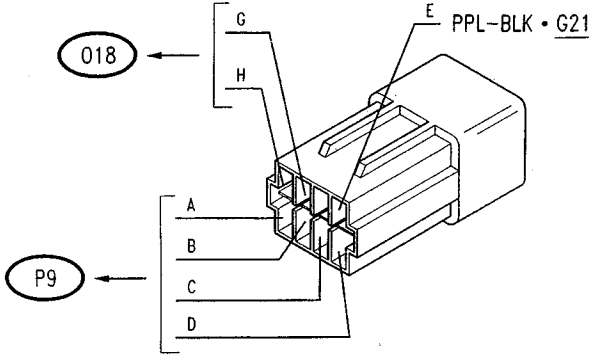
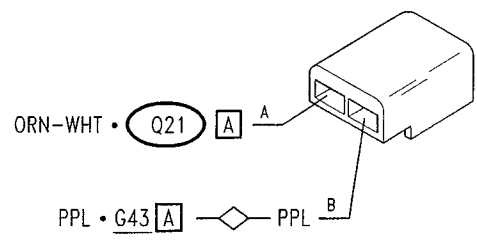
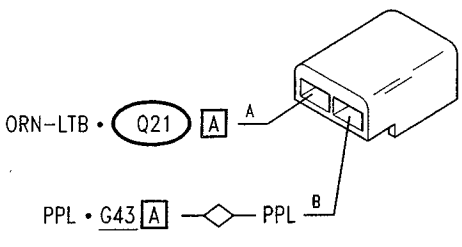
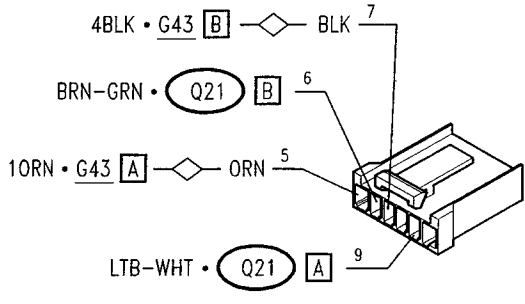
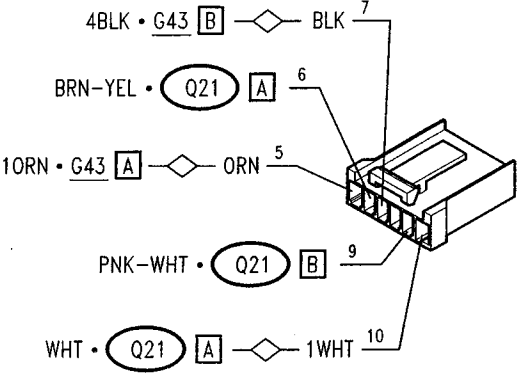
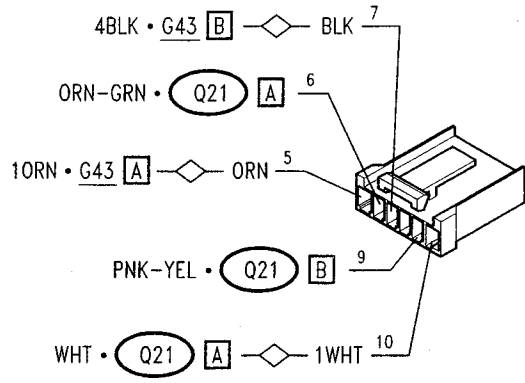
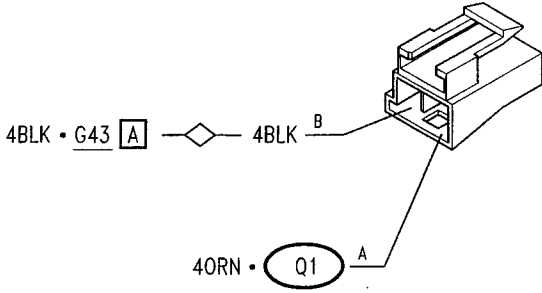
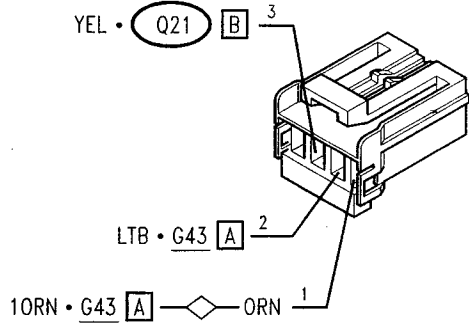
Cigar lighter - current socket	O6	RH wing mirror defroster	O18
			
LH wing mirror defroster	O19	Additional engine fan resistance	O22
			
Additional engine fan resistance	O22	Additional engine fan resistance	O22a
			
Additional engine fan resistance	O22b	RH Tweeter loud-speaker	O31a
			

<p>LH Tweeter loud-speaker</p>	<p>O31b</p>	<p>Rear subwoofer speaker</p>	<p>O37a</p>
		<p>SPIDER</p> 	
<p>Rear subwoofer speaker</p>	<p>O37b</p>	<p>Engine cooling fan</p>	<p>P2</p>
<p>SPIDER</p> 			
<p>Engine cooling fan</p>	<p>P2</p>	<p>Engine cooling fan</p>	<p>P2a</p>
			
<p>Engine cooling fan</p>	<p>P2b</p>	<p>LH wing mirror motor</p>	<p>P8</p>
			

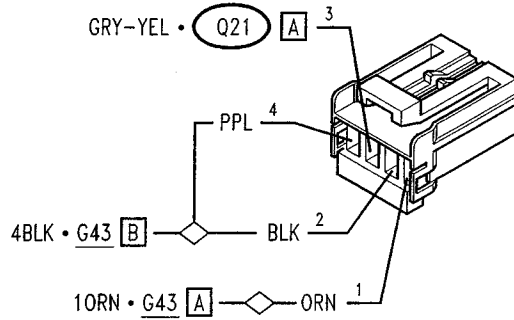
<p>RH wing mirror motor</p>	<p>P9</p>	<p>Front RH door lock motor</p>	<p>P10 A</p>
			
<p>Front RH door lock motor</p>	<p>P10 B</p>	<p>Front LH door lock motor</p>	<p>P11 A</p>
			
<p>Front LH door lock motor</p>	<p>P11 B</p>	<p>Front RH power window motor</p>	<p>P14</p>
			
<p>Front LH power window motor</p>	<p>P15</p>	<p>Fuel pum</p>	<p>P18</p>
			

<p>Windscreen and rearscreen washer pump</p>	<p>P19</p>	<p>Windscreen wiper motor with control unit</p>	<p>P27 A</p>
 <p>1PNK-BLK • P27 A 1</p> <p>1BLK • <u>G53b</u> 2</p>		 <p>1PNK-BLK • P19 3</p> <p>1GRY-WHT • N14 4</p> <p>1ORN • N14 5</p> <p>1GRY-BLK • <u>G99a</u> 2</p> <p>1BLK • <u>G53b</u> 1</p>	
<p>Windscreen wiper motor with control unit</p>	<p>P27 B</p>	<p>RH headlamp aiming motor</p>	<p>P35a</p>
 <p>1.5ORN-BLK • G1 I 3</p> <p>1WHT-BLK • <u>G99a</u> 4</p> <p>1.5GRN • N14 2</p> <p>1.5PNK-BLK • <u>G99a</u></p> <p>1.5PNK-BLK • N14 1.5PNK-BLK 1</p>		 <p>YEL • <u>G99a</u></p> <p>YEL • P35b</p> <p>YEL 2</p> <p>1BLK • <u>G53a</u> 3</p> <p>1YEL-BLK • P35b</p> <p>1YEL • G1 I</p> <p>1YEL-BLK • <u>G385</u></p> <p>1YEL-BLK 1</p>	
<p>LH headlamp aiming motor</p>	<p>P35b</p>	<p>Automatic hood control pump</p>	<p>P51</p>
 <p>YEL • <u>G99a</u></p> <p>YEL • P35a</p> <p>YEL 2</p> <p>1BLK • <u>G53b</u> 3</p> <p>1YEL • G1 I</p> <p>1YEL-BLK • P35a</p> <p>1YEL-BLK • <u>G385</u></p> <p>1YEL-BLK 1</p>		 <p>4RED • I117 1</p> <p>4BLK • <u>G400c</u> 2</p>	
<p>Heater fan</p>	<p>Q1</p>	<p>Compressor electromagnetic coupling</p>	<p>Q11</p>
 <p>4ORN • Q31 A</p> <p>4PNK • <u>G43</u> B</p>		 <p>3.0 V6 24v 1RED-GRN • <u>G133</u></p> <p>T.SPARK 16v GRY • <u>G133</u></p>	



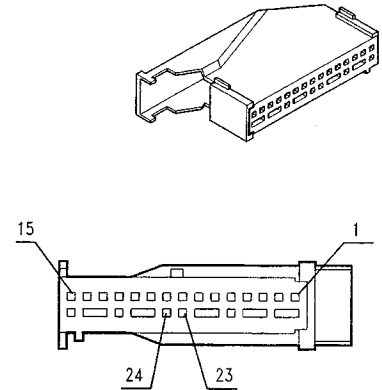
<p>External air temperature sensor</p>	<p>Q24</p>	<p>Upper conditioned air sensor</p>	<p>Q25a</p>
			
<p>Lower conditioned air sensor</p>	<p>Q25b</p>	<p>Air recirculation flap control motor</p>	<p>Q27</p>
			
<p>Air distribution actuator</p>	<p>Q30a</p>	<p>Air mixing actuator</p>	<p>Q30b</p>
			
<p>Climate control solenoid valve electronic regulator</p>	<p>Q31 A</p>	<p>Climate control solenoid valve electronic regulator</p>	<p>Q31 B</p>
			

Passenger compartment air temperature sensor (Q33)



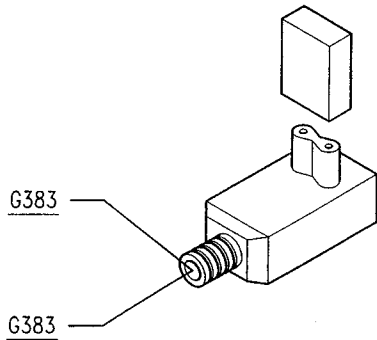
Airbag control unit (R22)

- | | | |
|---------------------------|---------------------------|--------------------------------|
| <u>1</u> BLU-BLK • G383 | <u>7</u> BRN-BLK • (R28) | <u>14</u> BLK • G381 |
| <u>2</u> BLU • G383 | <u>8</u> BLK • G381 | <u>15</u> LTB-RED • G380 |
| <u>3</u> YEL-BLK • (R27) | <u>9</u> WHT-YEL • G380 | <u>23</u> BLK • G381 (*) |
| <u>4</u> YEL • (R27) | <u>10</u> GRN • (R29) | <u>24</u> BRN-WHT • (B102) (*) |
| <u>5</u> LTB-WHT • (B102) | <u>11</u> GRN-BLK • (R29) | |
| <u>6</u> BRN • (R28) | <u>13</u> PPL-WHT • G380 | |

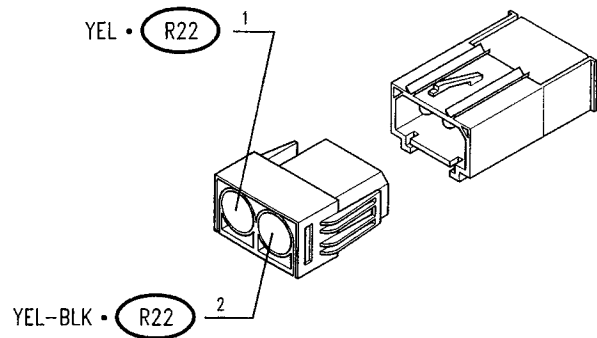


(*) wire present with passenger's side Air Bag

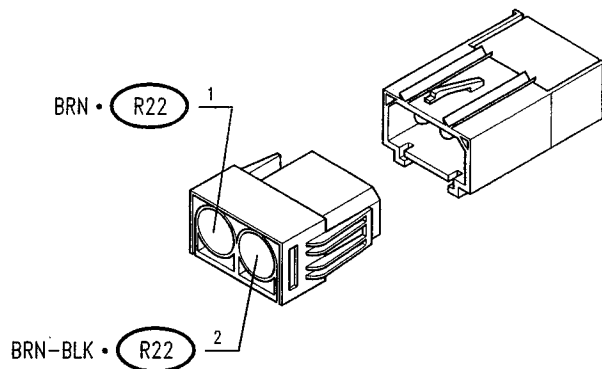
Capsule on steering wheel for airbag (R23)

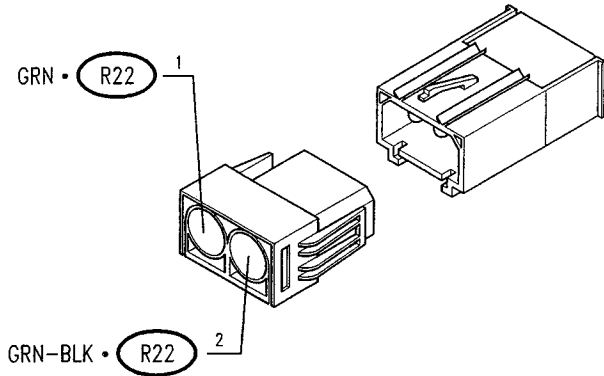
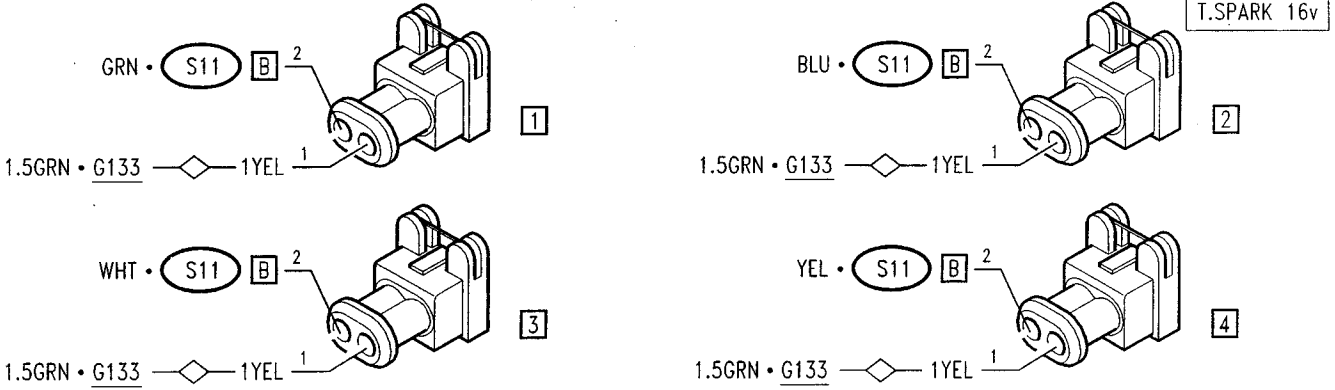
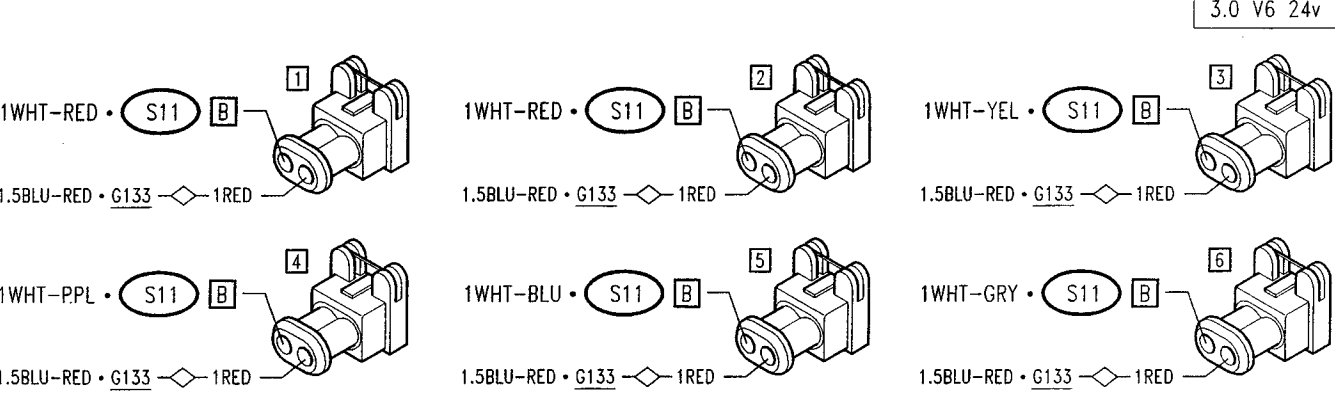
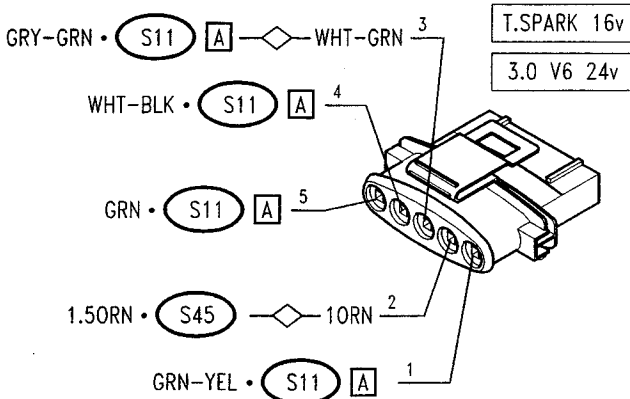


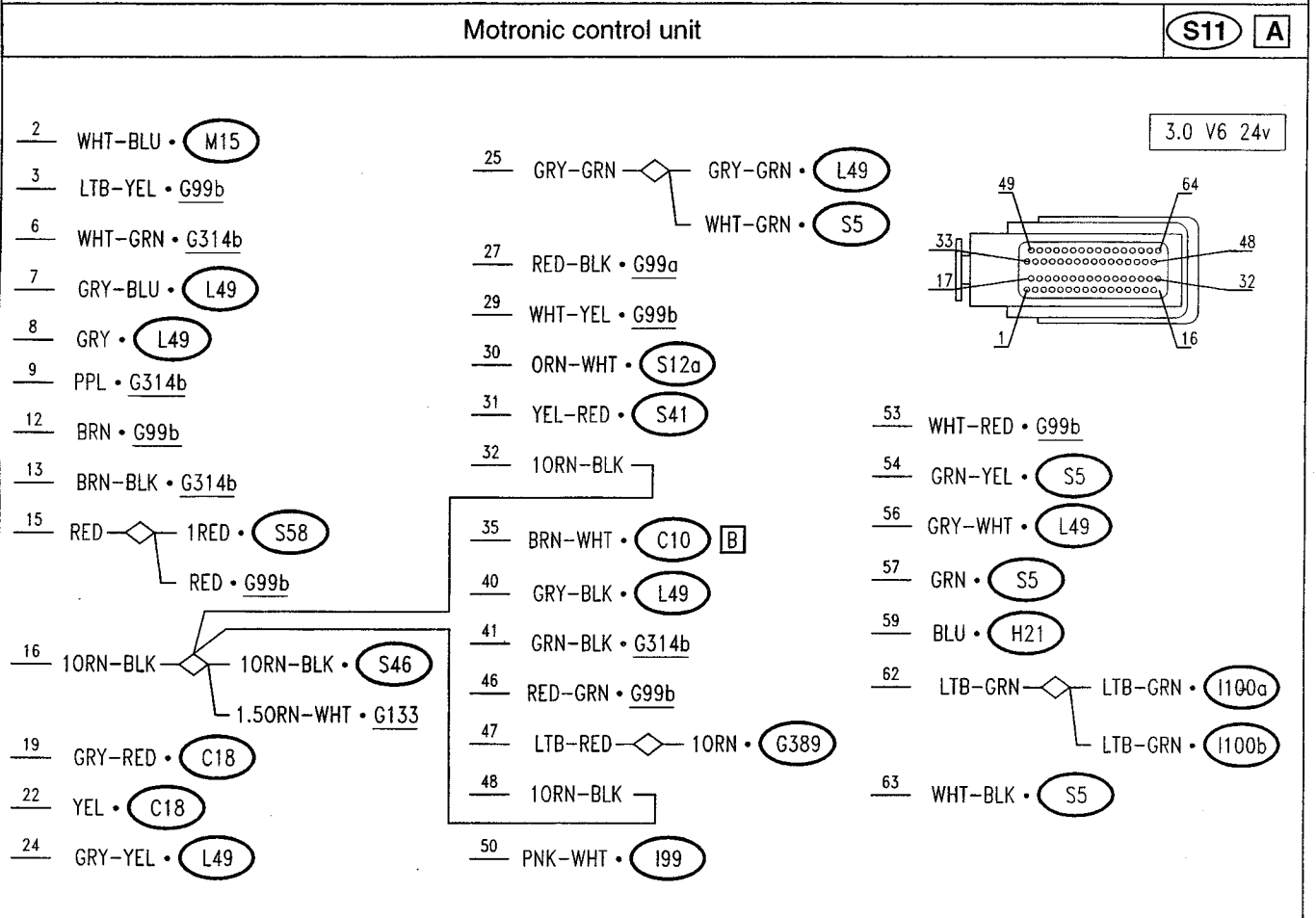
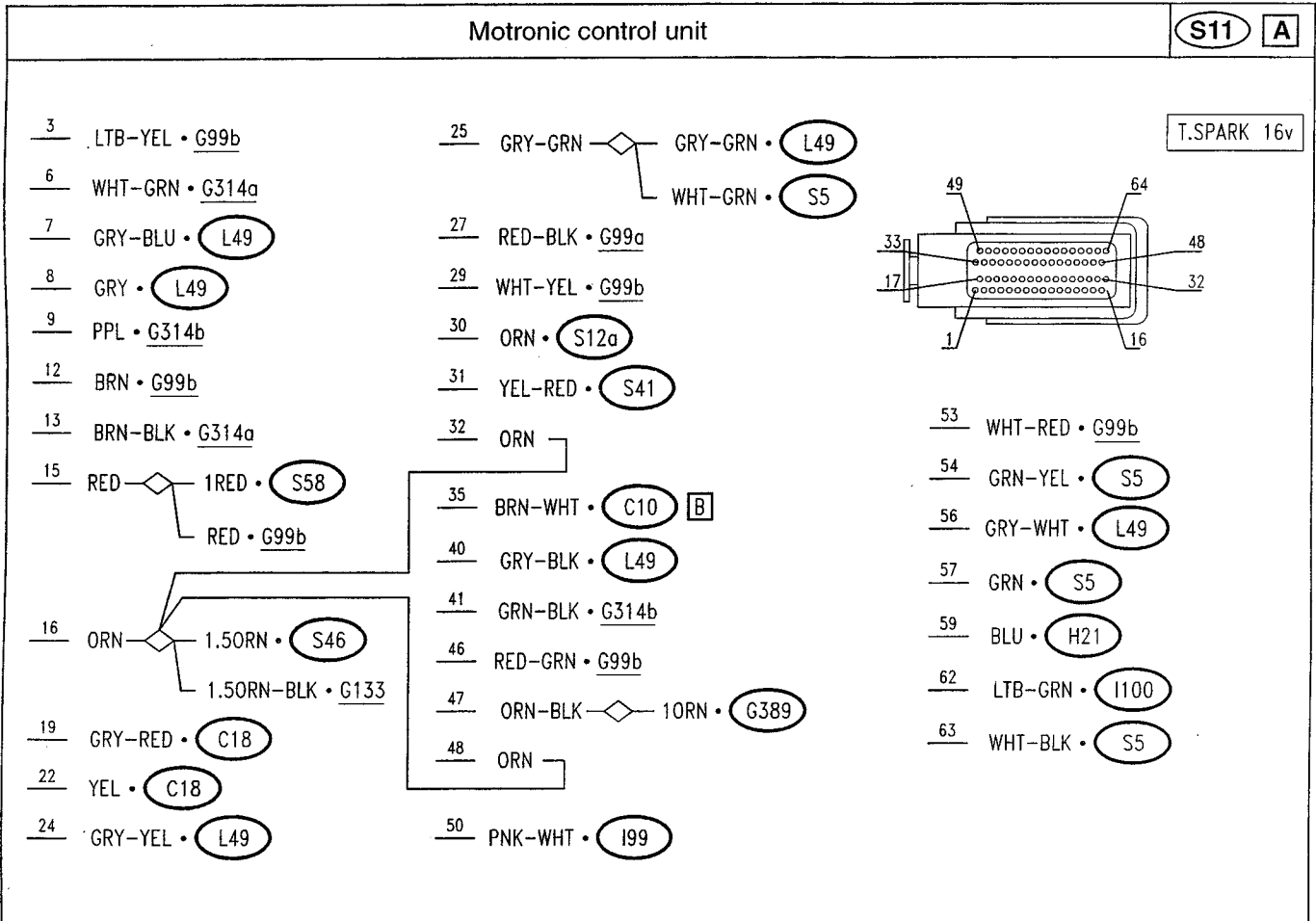
Passenger's side airbag capsule (R27)

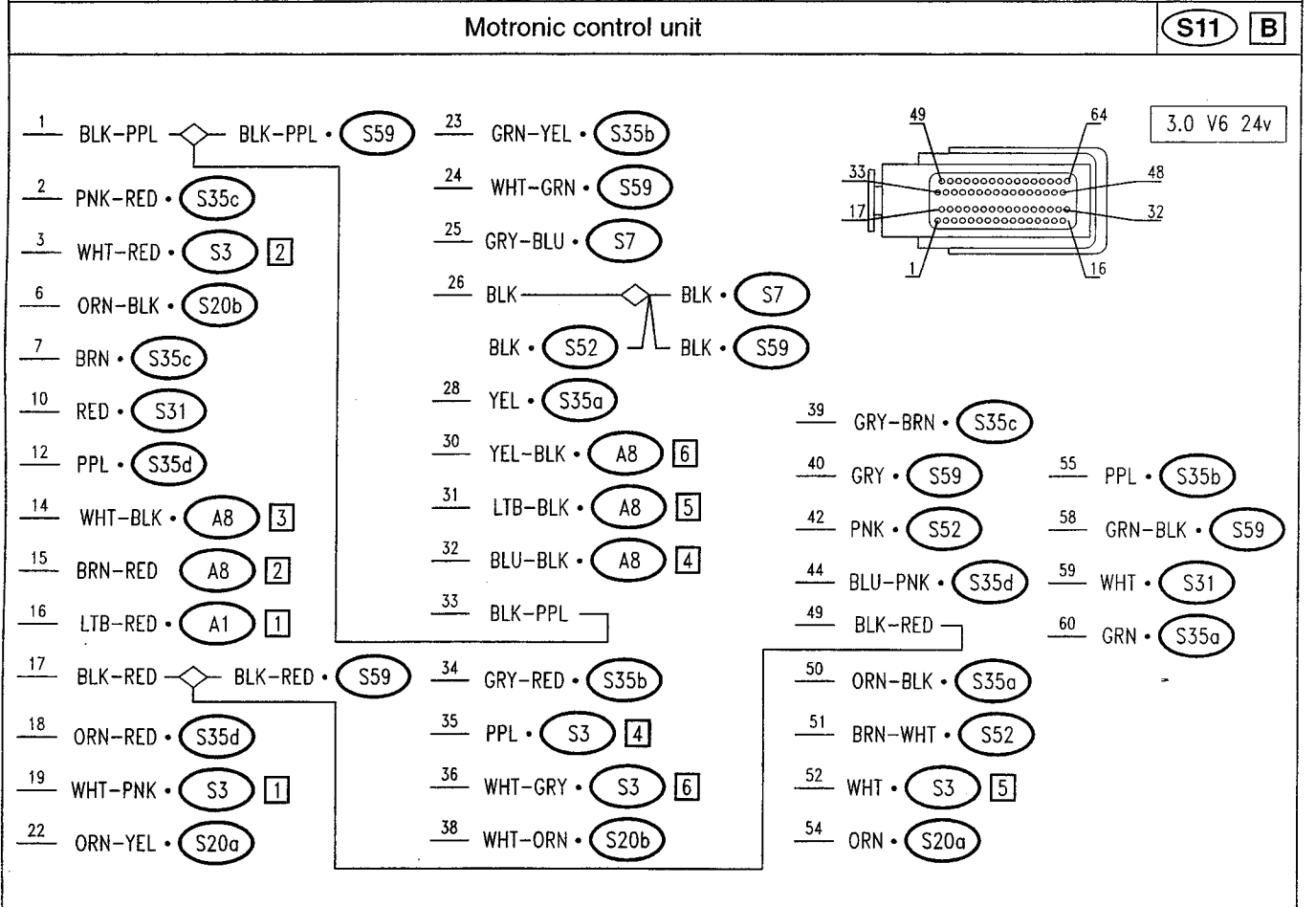
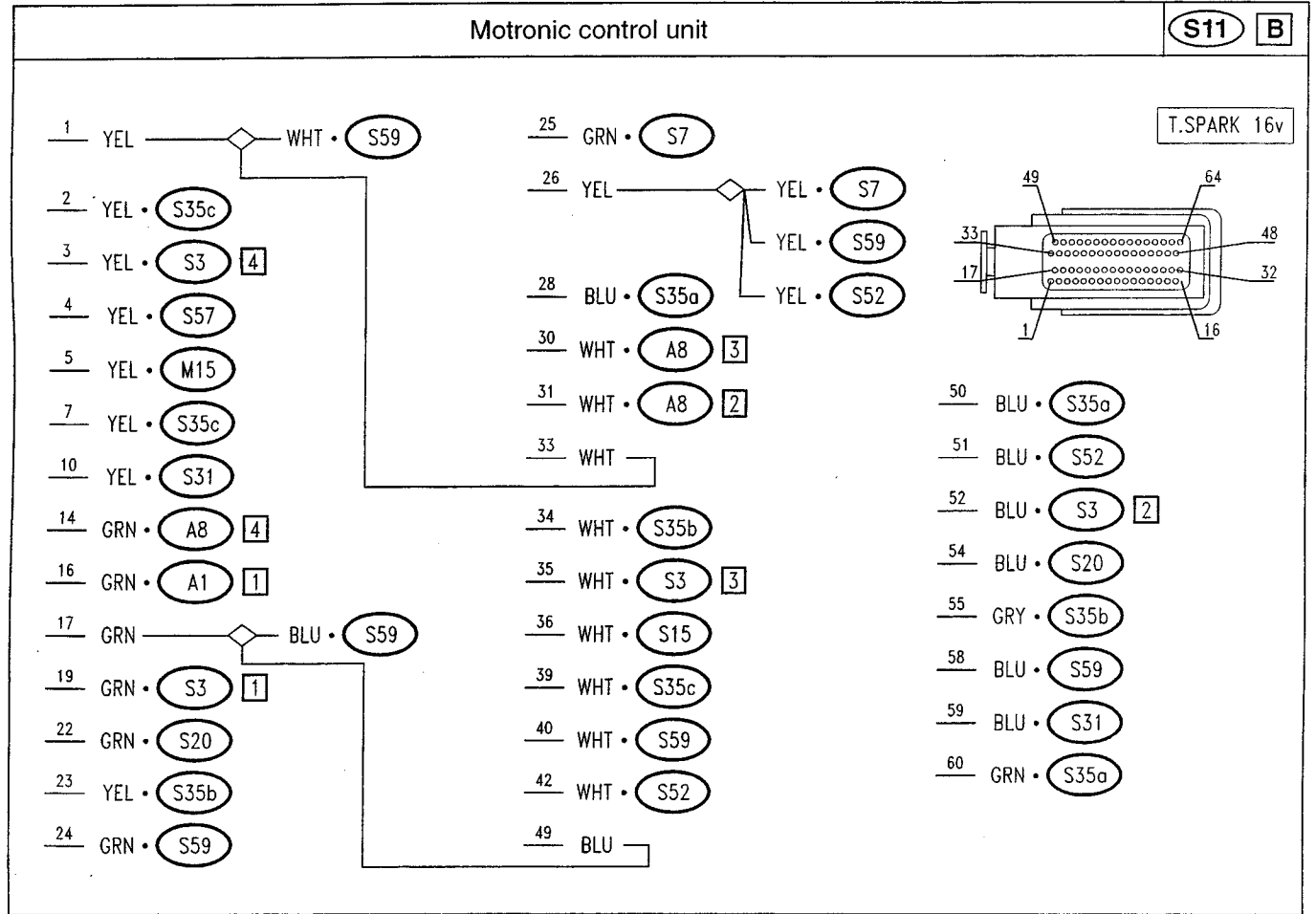


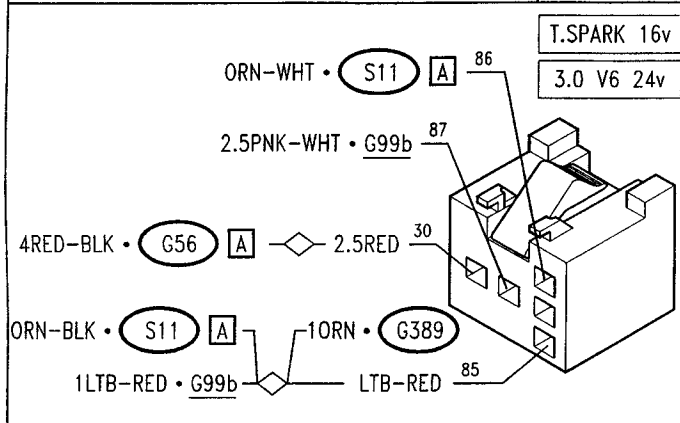
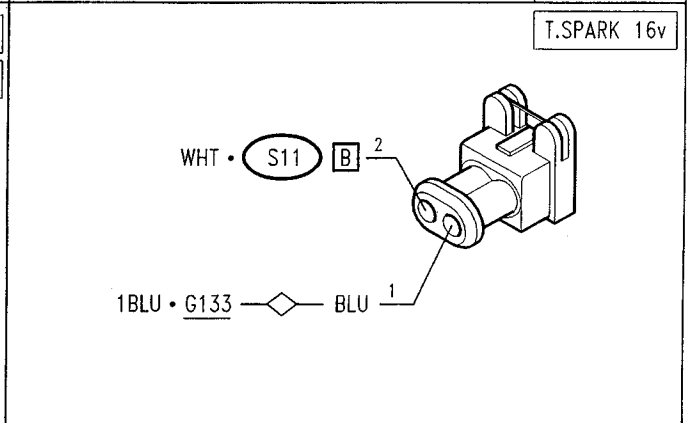
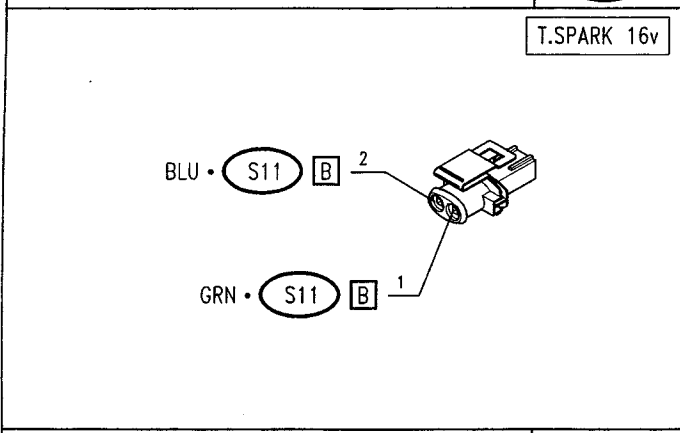
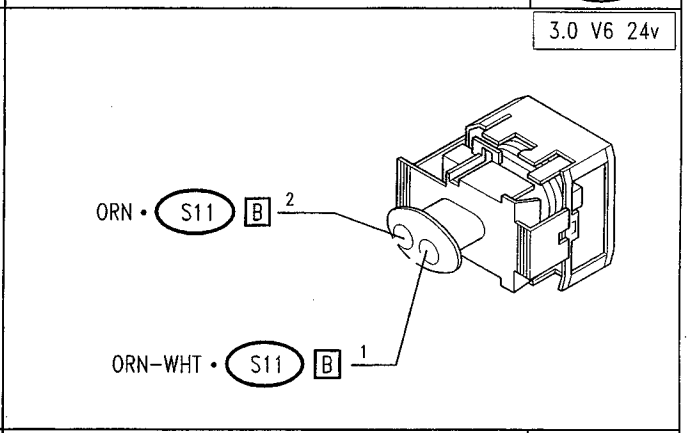
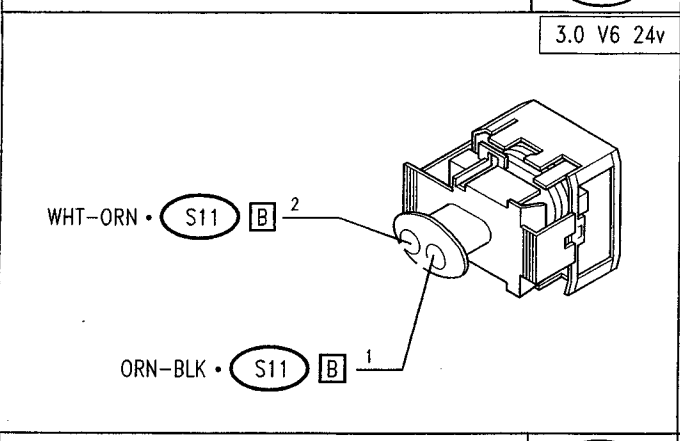
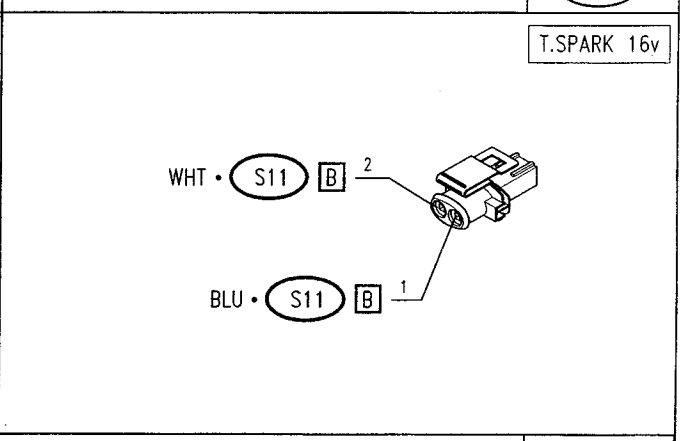
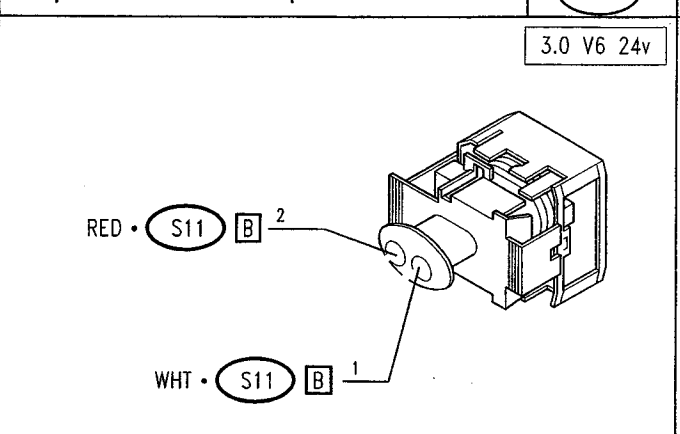
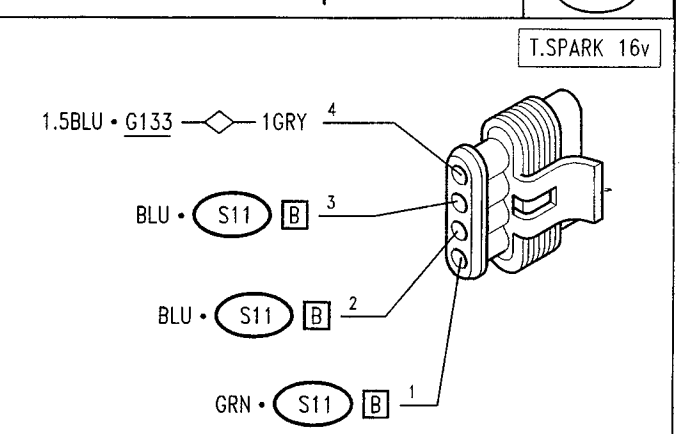
Capsule on RH pretensioner (R28)

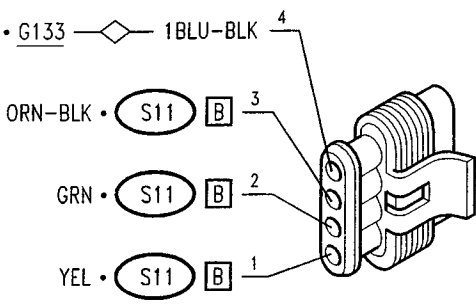
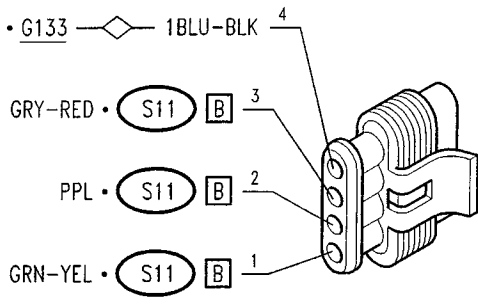
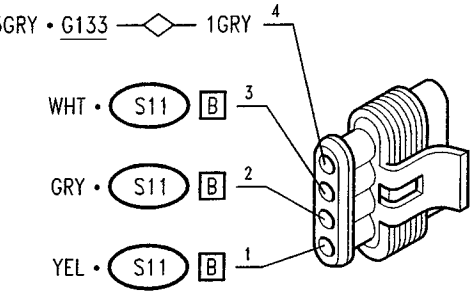
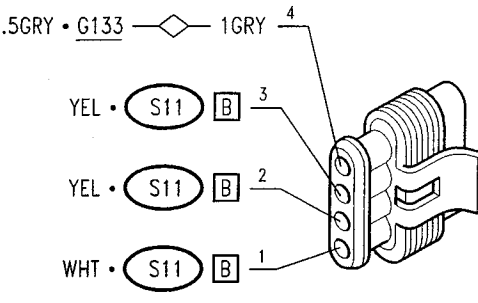
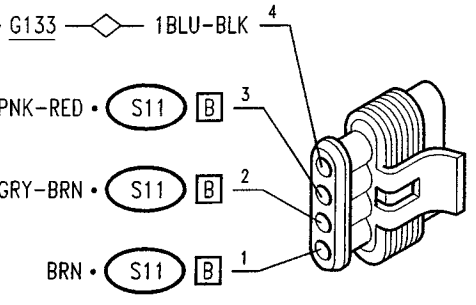
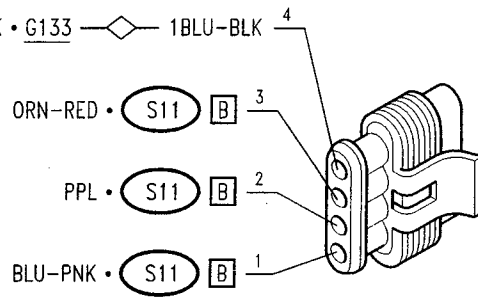
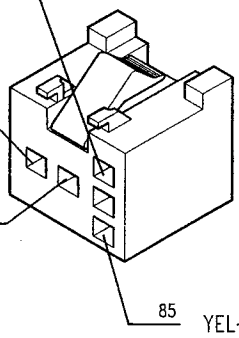


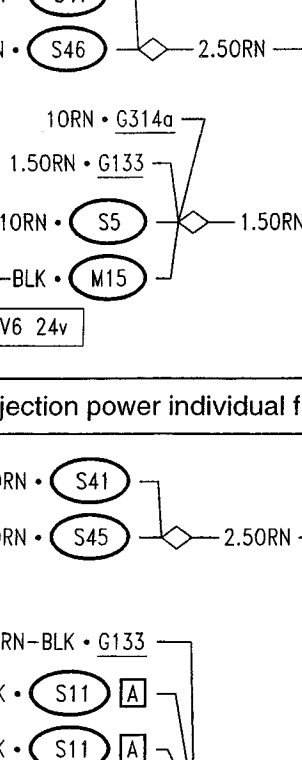
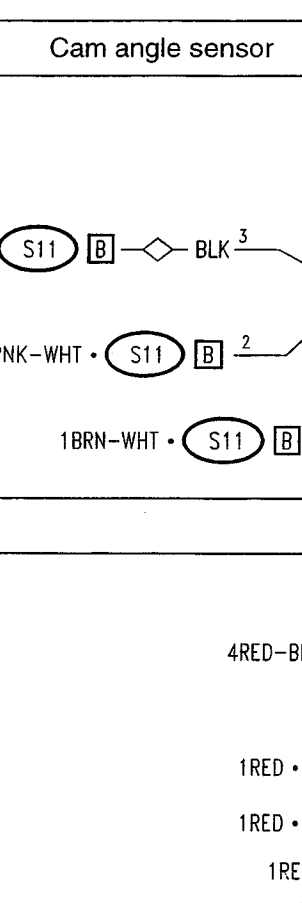
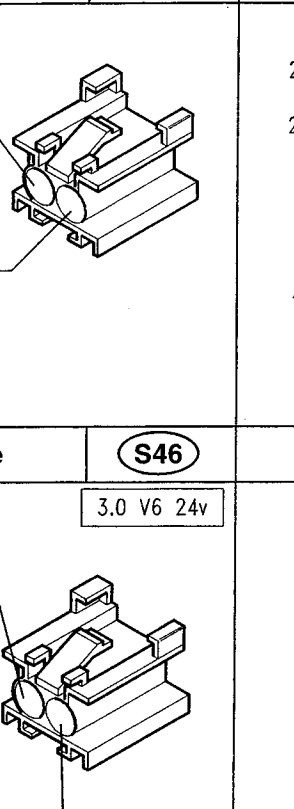
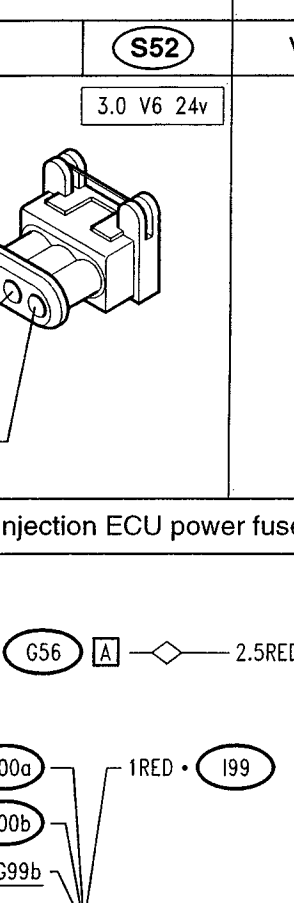
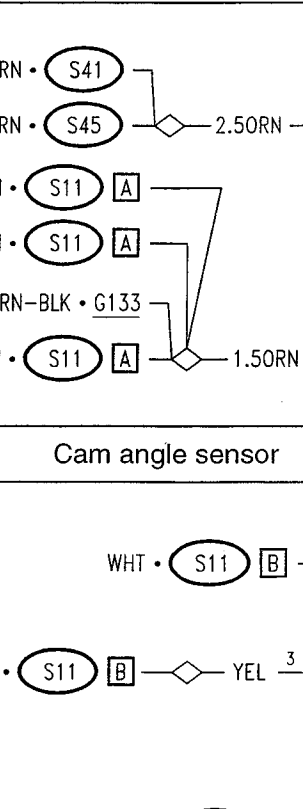
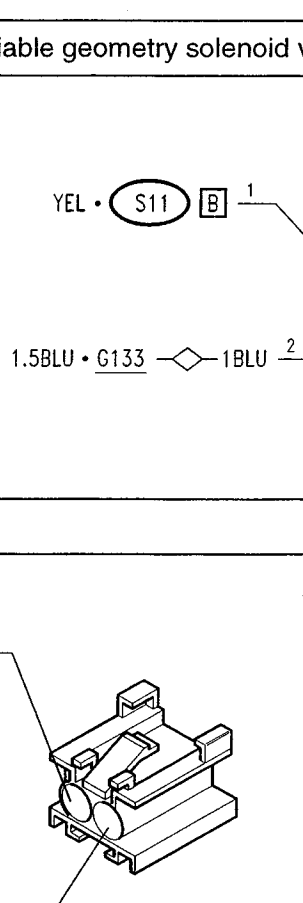
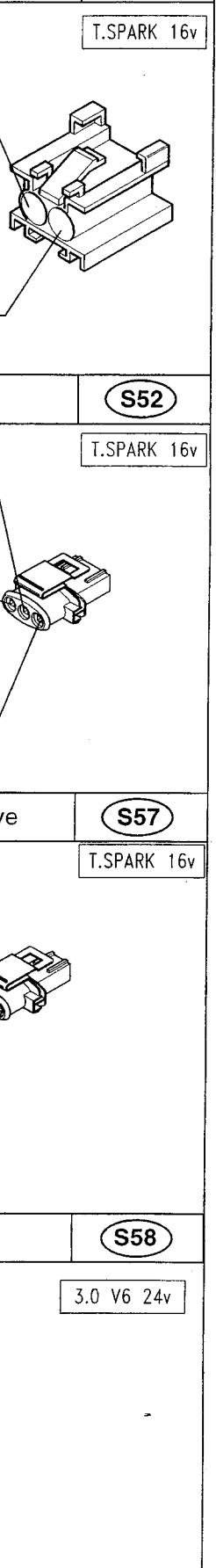
<p>Capsule on LH pretensioner</p>	<p>R29</p>
	
<p>Elettroinjetors</p>	<p>S3</p>
	
<p>Elettroinjetors</p>	<p>S3</p>
	
<p>Air flow meter</p>	<p>S5</p>
	

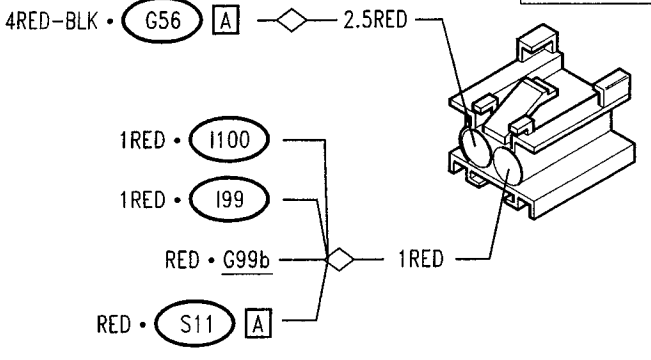
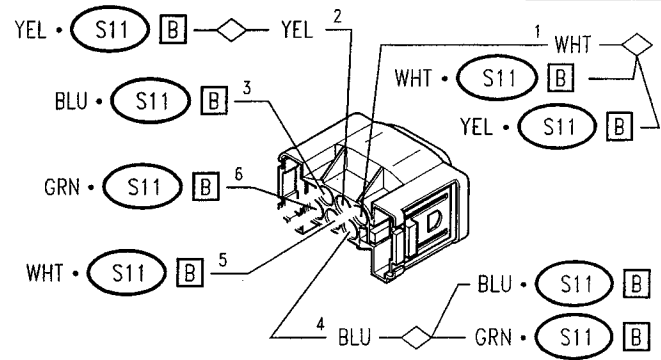
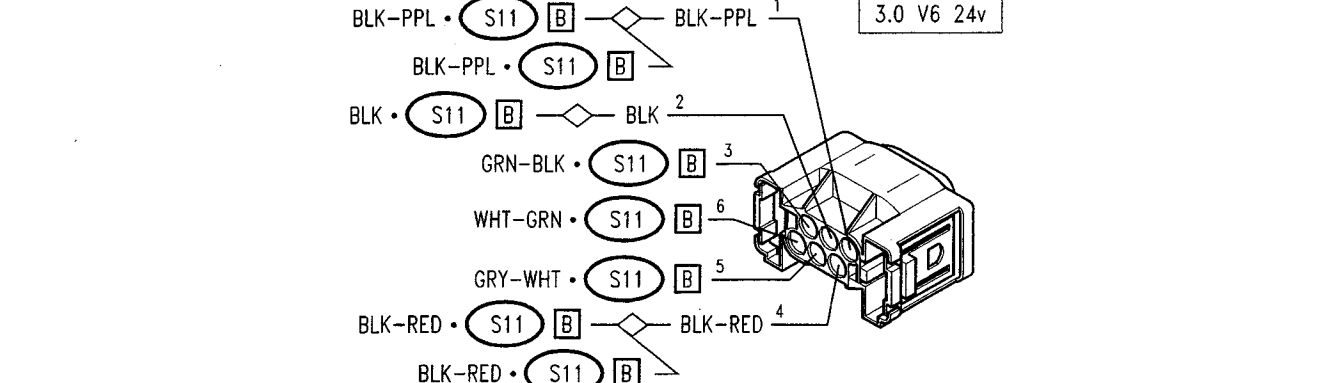
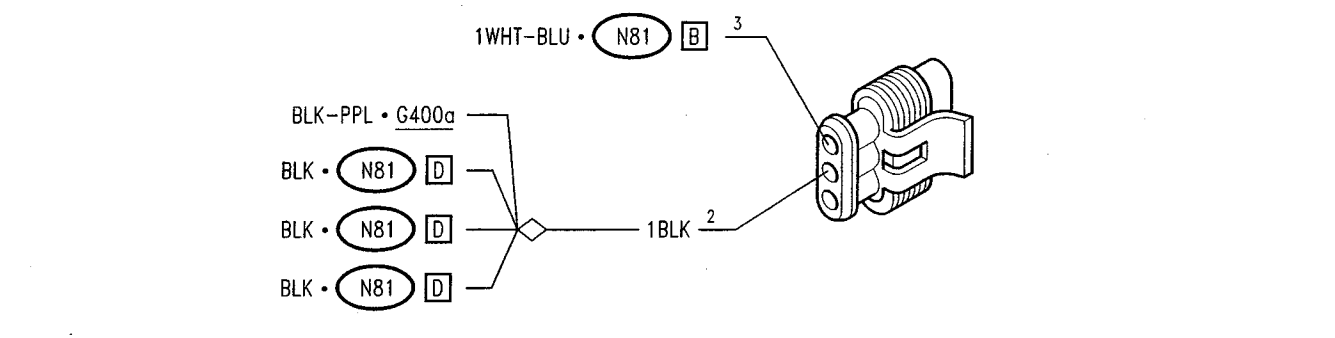
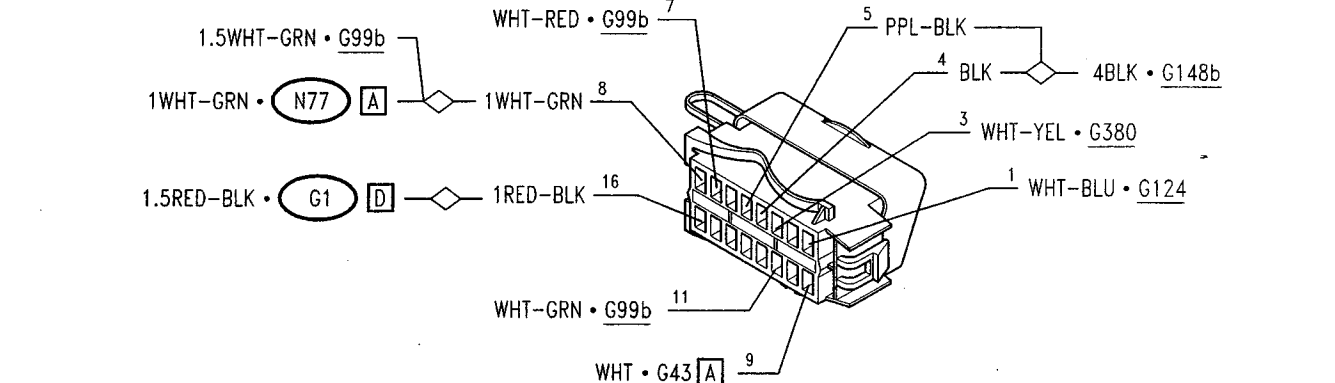




<p>Motronic fuel pump relay S12a</p> <p style="text-align: right;">T.SPARK 16v 3.0 V6 24v</p>  <p>ORN-WHT • S11 [A] 86 2.5PNK-WHT • G99b 87 4RED-BLK • G56 [A] 30 2.5RED 30 ORN-BLK • S11 [A] 85 1ORN • G389 85 1LTB-RED • G99b LTB-RED 85</p>	<p>Phase variator S15</p> <p style="text-align: right;">T.SPARK 16v</p>  <p>WHT • S11 [B] 2 1BLU • G133 — BLU 1</p>
<p>Pinging sensor S20</p> <p style="text-align: right;">T.SPARK 16v</p>  <p>BLU • S11 [B] 2 GRN • S11 [B] 1</p>	<p>Pinging sensor a S20a</p> <p style="text-align: right;">3.0 V6 24v</p>  <p>ORN • S11 [B] 2 ORN-WHT • S11 [B] 1</p>
<p>Pinging sensor b S20b</p> <p style="text-align: right;">3.0 V6 24v</p>  <p>WHT-ORN • S11 [B] 2 ORN-BLK • S11 [B] 1</p>	<p>Rpm and crankshaft position sensor S31</p> <p style="text-align: right;">T.SPARK 16v</p>  <p>WHT • S11 [B] 2 BLU • S11 [B] 1</p>
<p>Rpm and crankshaft position sensor S31</p> <p style="text-align: right;">3.0 V6 24v</p>  <p>RED • S11 [B] 2 WHT • S11 [B] 1</p>	<p>Heated lambda probe S35a</p> <p style="text-align: right;">T.SPARK 16v</p>  <p>1.5BLU • G133 — 1GRY 4 BLU • S11 [B] 3 BLU • S11 [B] 2 GRN • S11 [B] 1</p>

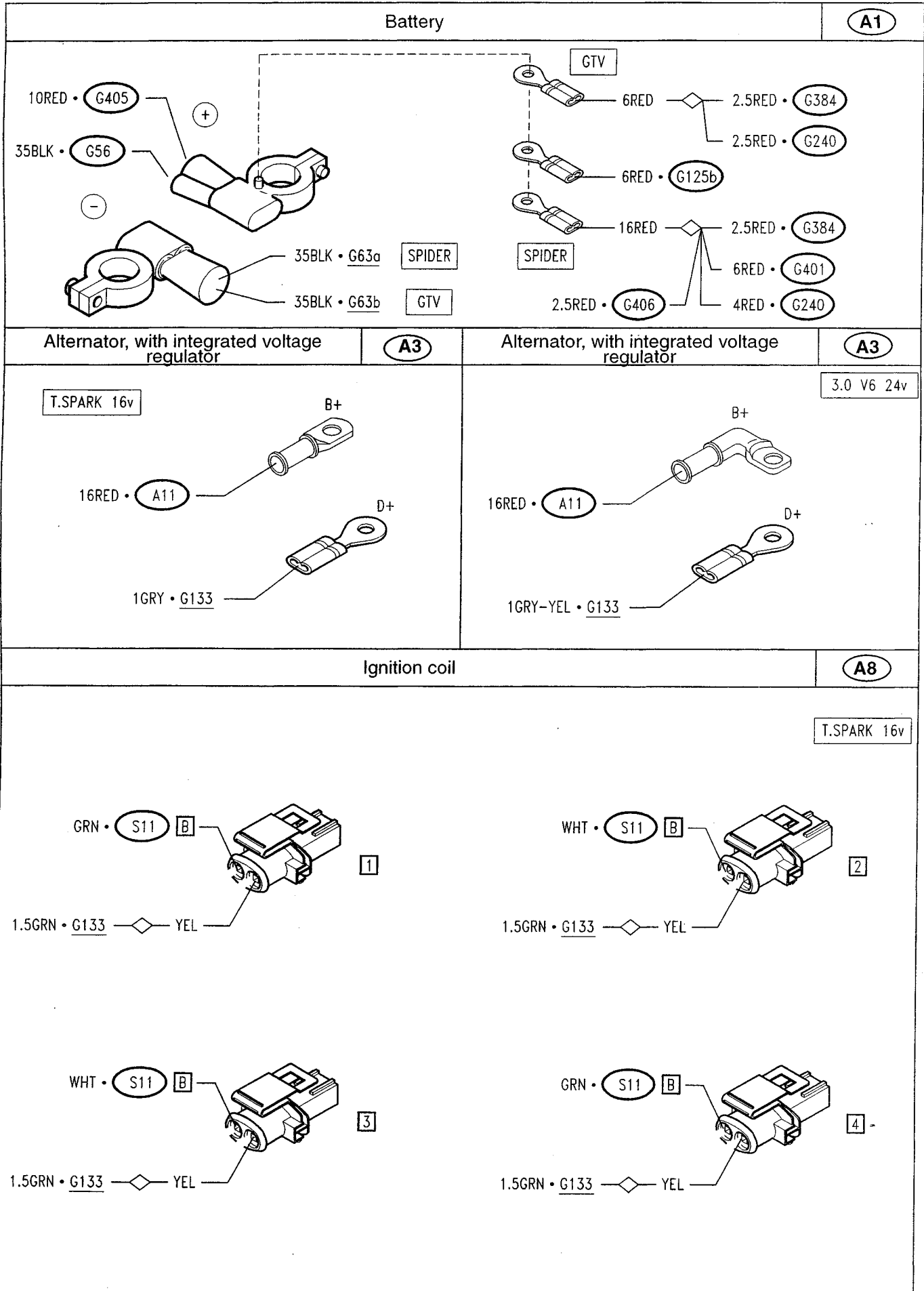
<p>Lambda sensor downstream of right catalyzer</p>	<p>S35a</p>	<p>Lambda sensor upstream of catalyzer 1</p>	<p>S35b</p>
<p>3.0 V6 24v</p>		<p>3.0 V6 24v</p>	
<p>1BLU-BLK • G133 —◇— 1BLU-BLK 4</p> <p>ORN-BLK • S11 [B] 3</p> <p>GRN • S11 [B] 2</p> <p>YEL • S11 [B] 1</p> 		<p>1BLU-BLK • G133 —◇— 1BLU-BLK 4</p> <p>GRY-RED • S11 [B] 3</p> <p>PPL • S11 [B] 2</p> <p>GRN-YEL • S11 [B] 1</p> 	
<p>Lambda sensor upstream of catalyzer 1</p>	<p>S35b</p>	<p>Lambda sensor upstream of catalyzer 2</p>	<p>S35c</p>
<p>T.SPARK 16v</p>		<p>T.SPARK 16v</p>	
<p>1.5GRY • G133 —◇— 1GRY 4</p> <p>WHT • S11 [B] 3</p> <p>GRY • S11 [B] 2</p> <p>YEL • S11 [B] 1</p> 		<p>1.5GRY • G133 —◇— 1GRY 4</p> <p>YEL • S11 [B] 3</p> <p>YEL • S11 [B] 2</p> <p>WHT • S11 [B] 1</p> 	
<p>Lambda sensor upstream of catalyzer 2</p>	<p>S35c</p>	<p>Lambda sensor downstream of left catalyzer</p>	<p>S35d</p>
<p>3.0 V6 24v</p>		<p>3.0 V6 24v</p>	
<p>1BLU-BLK • G133 —◇— 1BLU-BLK 4</p> <p>PNK-RED • S11 [B] 3</p> <p>GRY-BRN • S11 [B] 2</p> <p>BRN • S11 [B] 1</p> 		<p>1BLU-BLK • G133 —◇— 1BLU-BLK 4</p> <p>ORN-RED • S11 [B] 3</p> <p>PPL • S11 [B] 2</p> <p>BLU-PNK • S11 [B] 1</p> 	
<p>Main relay</p>			<p>S41</p>
<p>1ORN • G389 —◇— LTB-RED 86</p>		<p>T.SPARK 16v</p>	
<p>4RED-BLK • G56 [A] —◇— 2.5RED 30</p>		<p>3.0 V6 24v</p>	
<p>2.5ORN • S45 —◇— 2.5ORN 87</p>			
<p>2.5ORN • S46 —◇—</p>			
			

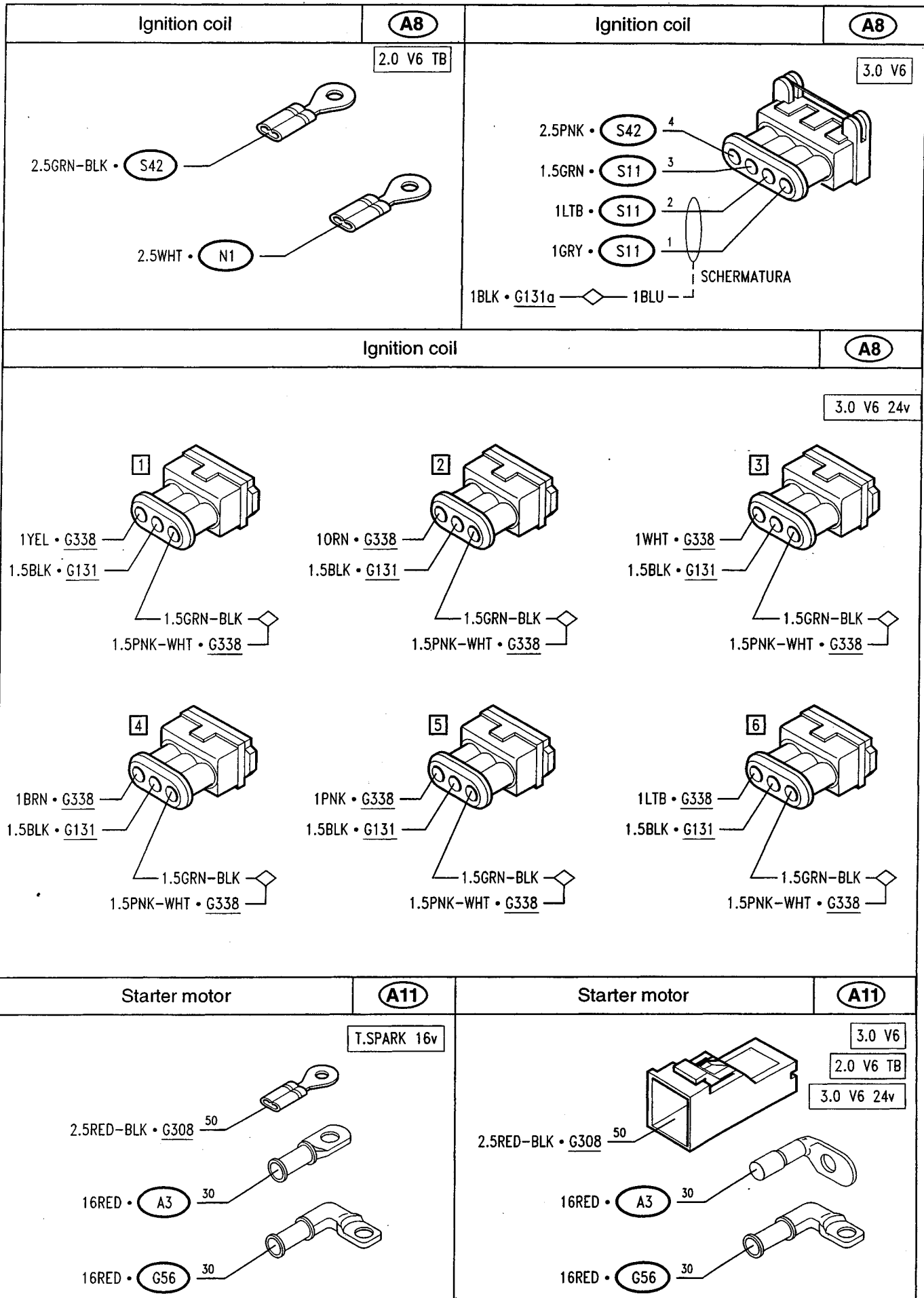
<p>Lambda probe fuse</p>	<p>S45</p>	<p>2.50RN • S41 2.50RN • S46 — 2.50RN 1.50RN — 1.50RN 1.0RN • G314a 1.50RN • G133 1.0RN • S5 1.0RN-BLK • M15 3.0 V6 24v</p> 	<p>Injection power individual fuse</p> <p>S46</p> <p>T.SPARK 16v</p> <p>2.50RN • S41 2.50RN • S45 — 2.50RN ORN • S11 A ORN • S11 A 1.50RN-BLK • G133 ORN • S11 A — 1.50RN</p> 
<p>Injection power individual fuse</p>	<p>S46</p>	<p>3.0 V6 24v</p> <p>2.50RN • S41 2.50RN • S45 — 2.50RN 1.50RN-BLK • G133 1.0RN-BLK • S11 A 1.0RN-BLK • S11 A 1.0RN-BLK • S11 A — 1.50RN-WHT</p> 	<p>Cam angle sensor</p> <p>S52</p> <p>T.SPARK 16v</p> <p>WHT • S11 B 2 YEL • S11 B — YEL 3 BLU • S11 B 1</p> 
<p>Cam angle sensor</p>	<p>S52</p>	<p>3.0 V6 24v</p> <p>BLK • S11 B — BLK 3 PNK-WHT • S11 B 2 1BRN-WHT • S11 B 1</p> 	<p>Variable geometry solenoid valve</p> <p>S57</p> <p>T.SPARK 16v</p> <p>YEL • S11 B 1 1.5BLU • G133 — 1BLU 2</p> 
<p>Injection ECU power fuse</p>		<p>S58</p> <p>3.0 V6 24v</p> <p>4RED-BLK • G56 A — 2.5RED 1RED • I100a 1RED • I100b 1RED • G99b RED • S11 A — 1RED</p> 	

<p>Injection ECU power fuse (S58)</p> <p>T.SPARK 16v</p>  <p>4RED-BLK • G56 [A] —◇— 2.5RED</p> <p>1RED • I100</p> <p>1RED • I99</p> <p>RED • G99b —◇— 1RED</p> <p>RED • S11 [A]</p>	<p>Throttle casing actuator (S59)</p> <p>T.SPARK 16v</p>  <p>YEL • S11 [B] —◇— YEL 2</p> <p>BLU • S11 [B] 3</p> <p>GRN • S11 [B] 6</p> <p>WHT • S11 [B] 5</p> <p>4 BLU —◇— GRN • S11 [B]</p> <p>1 WHT —◇—</p> <p>WHT • S11 [B]</p> <p>YEL • S11 [B]</p>
<p>Throttle casing actuator (S59)</p> <p>3.0 V6 24v</p>  <p>BLK-PPL • S11 [B] —◇— BLK-PPL 1</p> <p>BLK-PPL • S11 [B]</p> <p>BLK • S11 [B] —◇— BLK 2</p> <p>GRN-BLK • S11 [B] 3</p> <p>WHT-GRN • S11 [B] 6</p> <p>GRY-WHT • S11 [B] 5</p> <p>BLK-RED • S11 [B] —◇— BLK-RED 4</p> <p>BLK-RED • S11 [B]</p>	
<p>Diagnosis connector for ALFA ROMEO TESTER (automatic hood) (T13)</p>  <p>1WHT-BLU • N81 [B] 3</p> <p>BLK-PPL • G400a</p> <p>BLK • N81 [D]</p> <p>BLK • N81 [D]</p> <p>BLK • N81 [D]</p> <p>1BLK 2</p>	
<p>Unified diagnostic connector (T20)</p>  <p>1.5WHT-GRN • G99b</p> <p>1WHT-GRN • N77 [A]</p> <p>1.5RED-BLK • G1 [D]</p> <p>1WHT-GRN 8</p> <p>1RED-BLK 16</p> <p>WHT-GRN • G99b 11</p> <p>WHT • G43 [A] 9</p> <p>WHT-RED • G99b 7</p> <p>5 PPL-BLK —◇— 4 BLK • G148b</p> <p>4 BLK • G148b</p> <p>3 WHT-YEL • G380</p> <p>1 WHT-BLU • G124</p>	

COMPONENTS AND CONNECTORS

NOTE: For vehicles produced starting from October 2000, see section A2b below.





(*) from November '99
 PA49720000010

(**) up to November '99

<p>Ignition switch (B1) [A]</p>	<p>Ignition switch (B1) [B]</p>
<p>Fog lights control switch (B10)</p>	<p>Rear fog guards control switch (B11)</p>
<p>Hazard warning lights control switch (**) (B12)</p>	<p>Hazard warning lights control switch (*) (B12)</p>
<p>Instrument panel light dimmer button (B16)</p>	<p>Right front power window control switch (on RH door) (B21a)</p>

(*) from November '99
 PA49720000010

(**) up to November '99

<p>Right front power window control switch (on LH door)</p>	<p>B21b</p>	<p>Wing mirror control switch</p>	<p>B36</p>
<p>Trip meter reset switch</p>	<p>B40</p>	<p>Sun roof motor control switch</p>	<p>B47</p>
			<p>GTV</p>
<p>Front power window switch with automatic mechanism</p>	<p>B53</p>	<p>Fuel flap opening switch</p>	<p>B61</p>
<p>Steering column lever unit</p>	<p>B68 [A]</p>	<p>Steering column lever unit</p>	<p>B68 [B]</p>

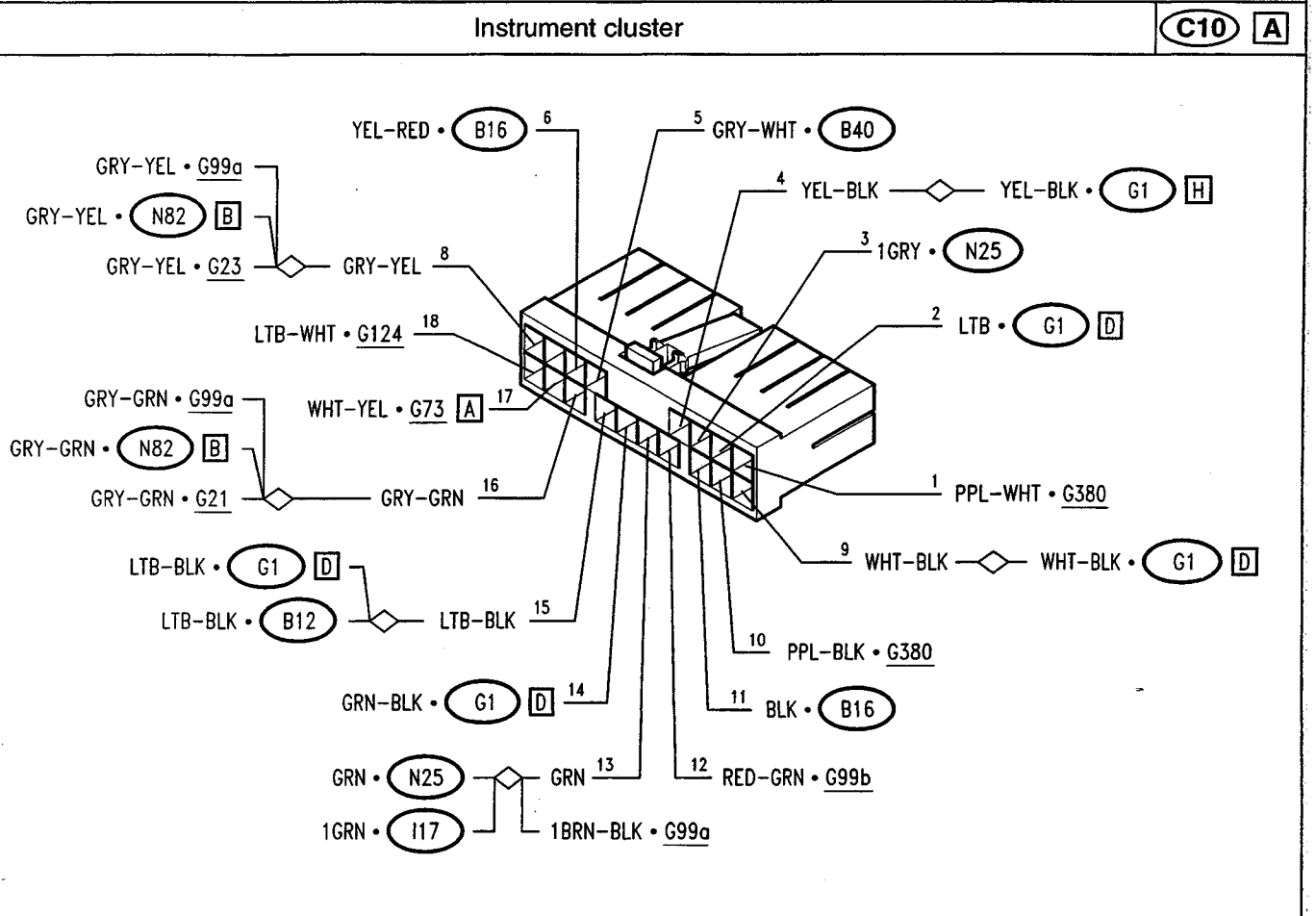
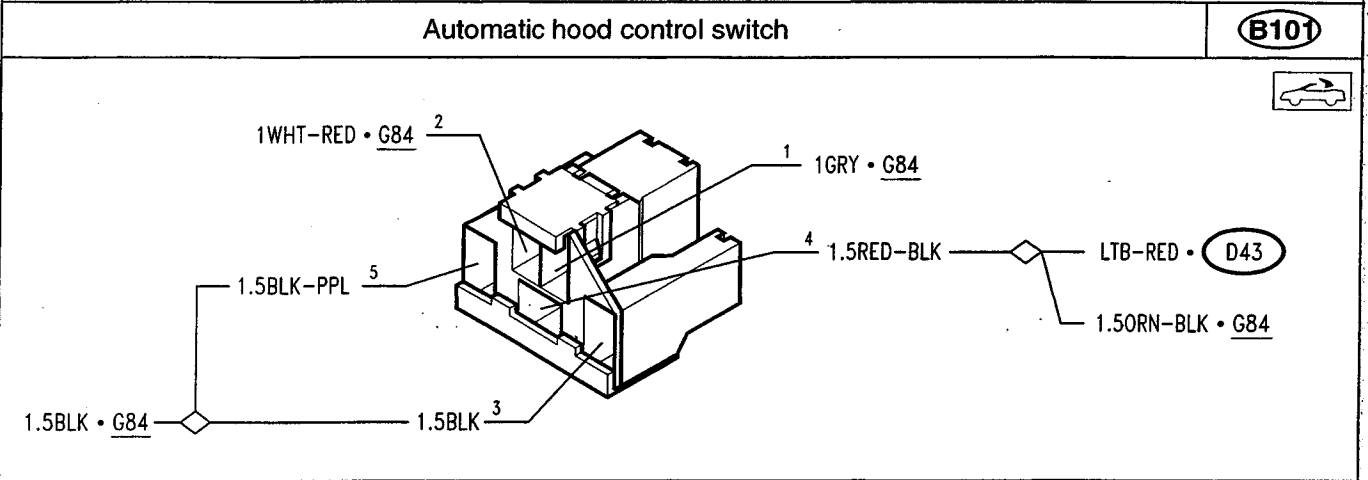
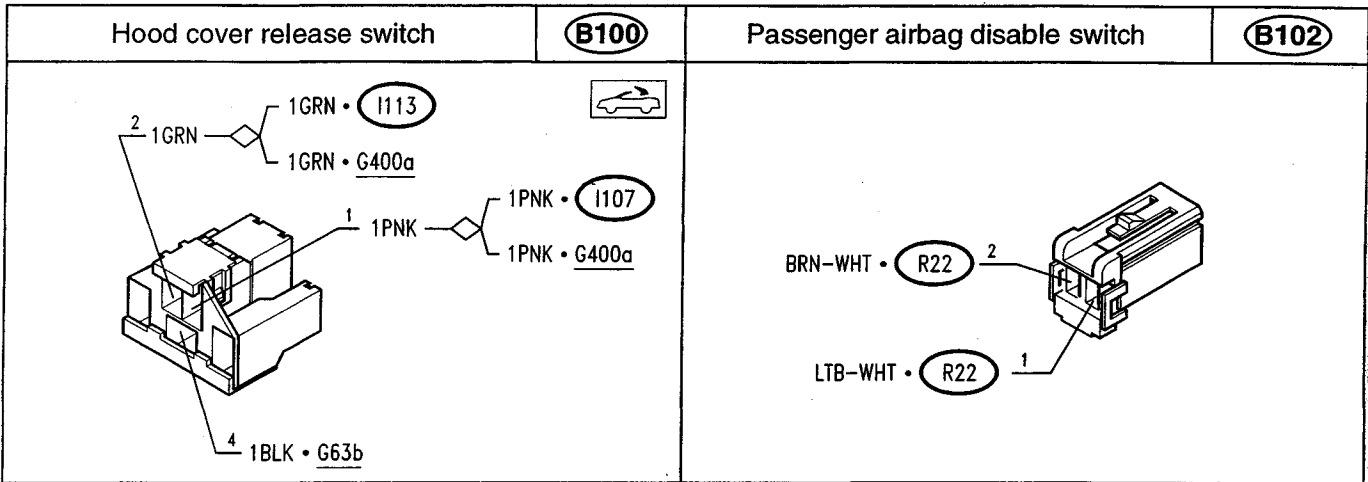
(*) from November '99
 PA49720000010

(**) up to November '99

Steering column lever unit	B68 C	Steering column lever unit	B68 D
Steering column lever unit	B68 E	Headlamp aiming device	B69
Luggage compartment opening switch with glove box light	B87	Hood release switch	B99
Hood release switch	B99	Hood cover release switch	B100

(*) from November '99
PA49720000010

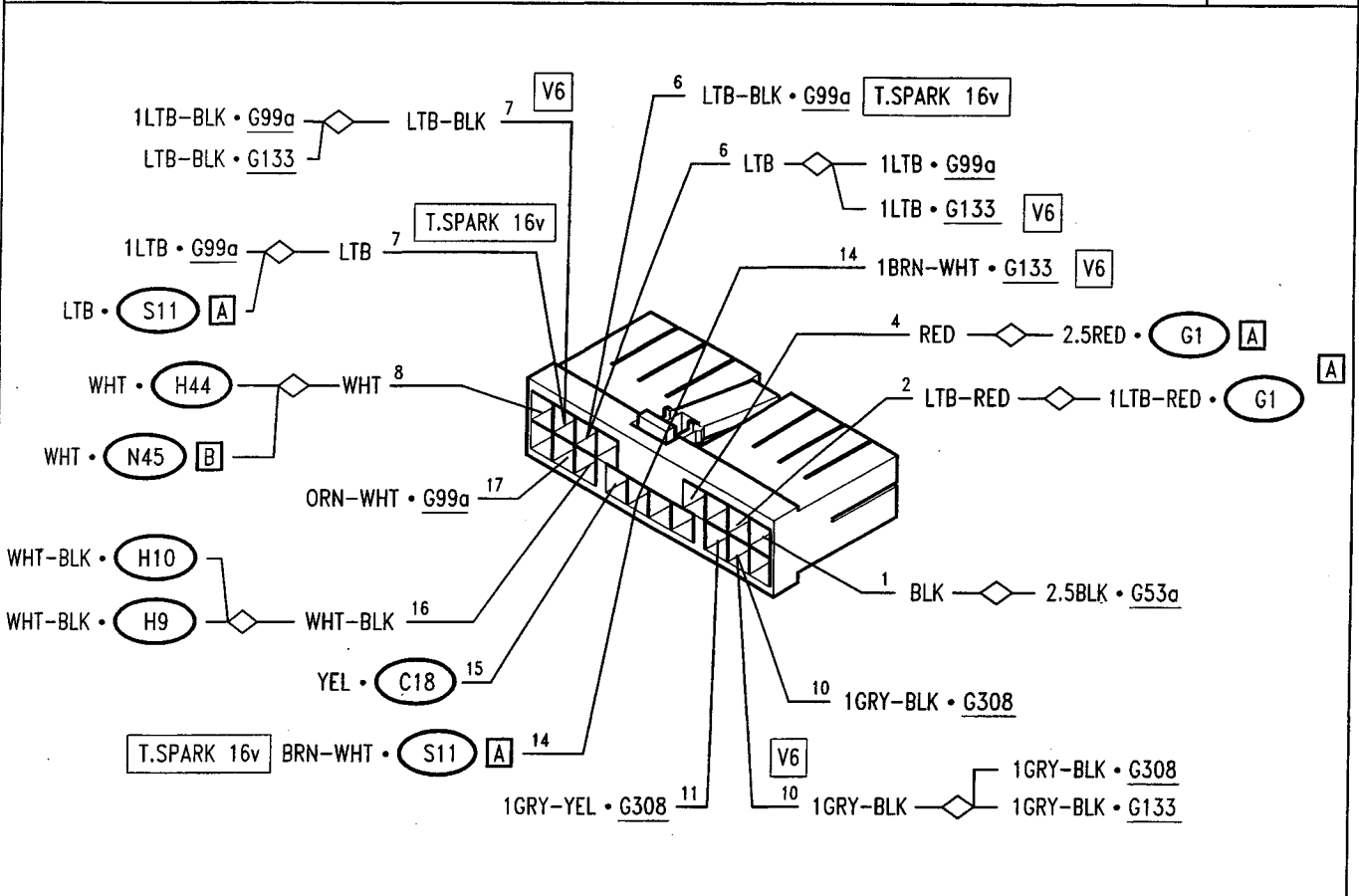
(**) up to November '99



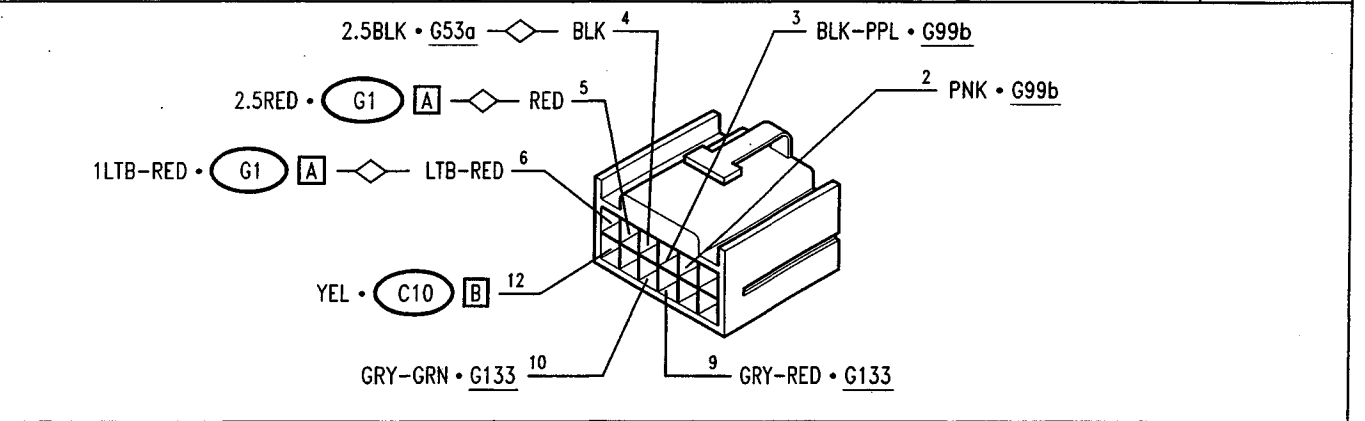
(*) from November '99
PA49720000010

(**) up to November '99

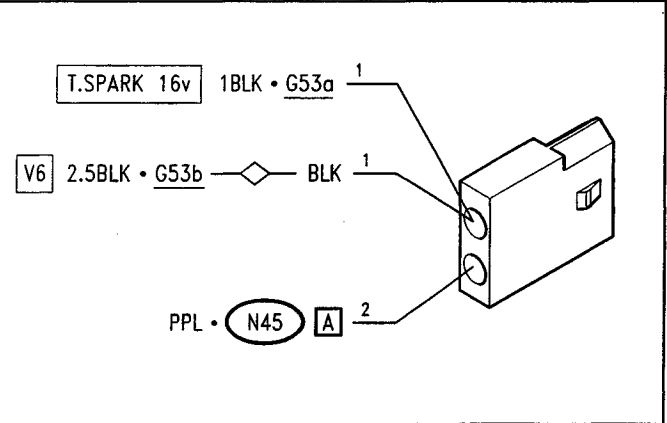
Instrument cluster (C10) (B)



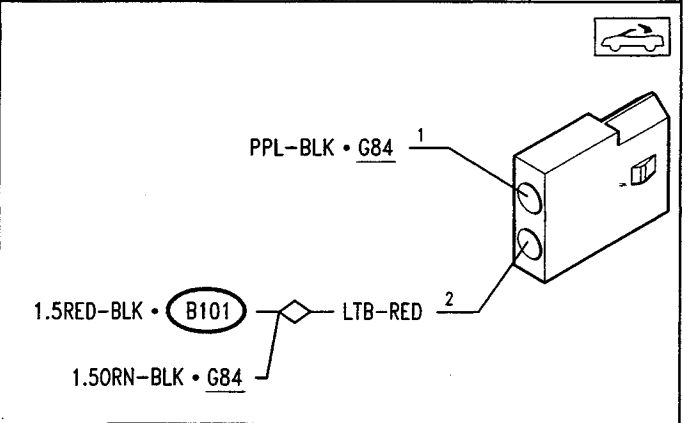
Auxiliary instrument cluster (C18)

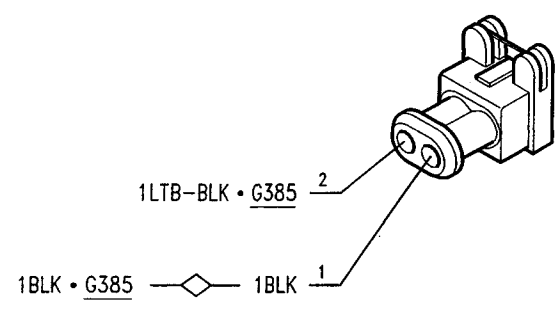
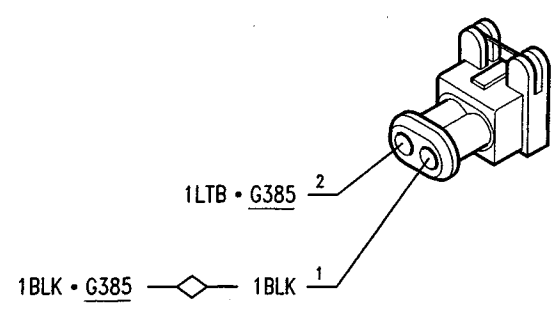
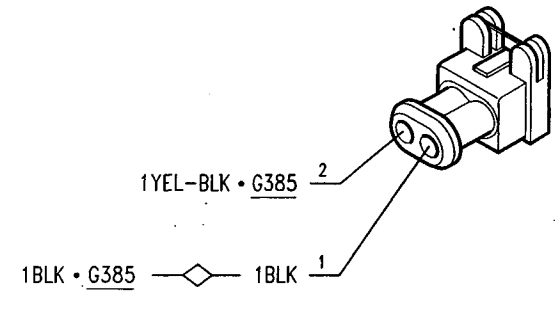
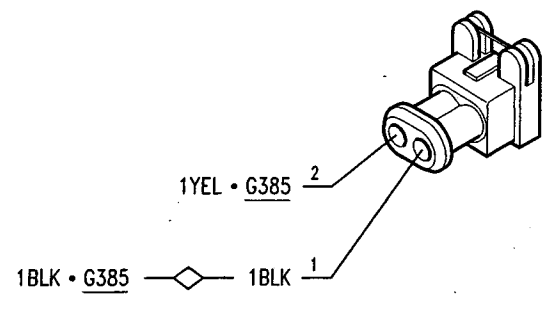
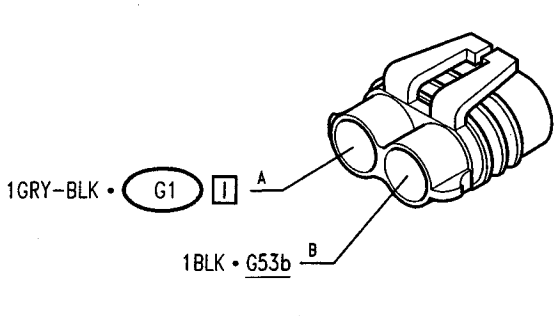
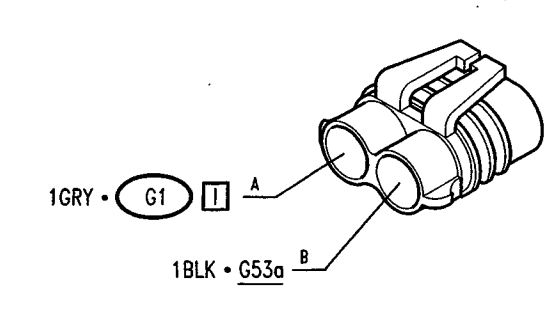
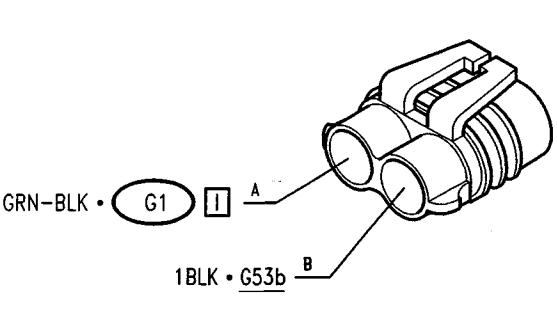
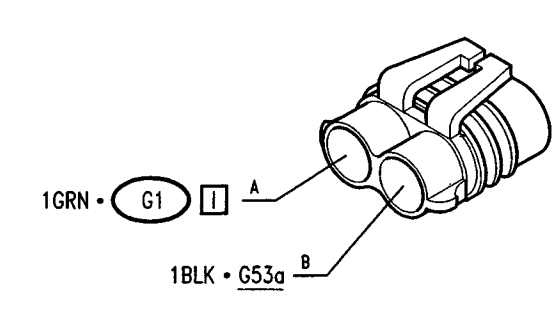


Anti-theft device led indicator (D31)



Signalling led for automatic hood (D43)



LH front direction indicator bulb	E1a	RH front direction indicator bulb	E1b
 <p>1LTB-BLK • G385 2</p> <p>1BLK • G385 1</p>		 <p>1LTB • G385 2</p> <p>1BLK • G385 1</p>	
LH front side light bulb	E2a	RH front side light bulb	E2b
 <p>1YEL-BLK • G385 2</p> <p>1BLK • G385 1</p>		 <p>1YEL • G385 2</p> <p>1BLK • G385 1</p>	
LH low beam light bulb	E5a	RH low beam light bulb	E5b
 <p>1GRY-BLK • G1 A</p> <p>1BLK • G53b B</p>		 <p>1GRY • G1 A</p> <p>1BLK • G53a B</p>	
LH high beam light bulb	E7a	RH high beam light bulb	E7b
 <p>1GRN-BLK • G1 A</p> <p>1BLK • G53b B</p>		 <p>1GRN • G1 A</p> <p>1BLK • G53a B</p>	

(*) from November '99
PA49720000010

(**) up to November '99

LH direction indicator light bulb	E9a	RH direction indicator light bulb	E9b
LH fog light bulb	E10a	RH fog light bulb	E10b
LH number plate light bulb	E17a	RH number plate light bulb	E17b
RH tail light cluster	E19	LH tail light cluster	E20

(*) from November '99
 PA49720000010

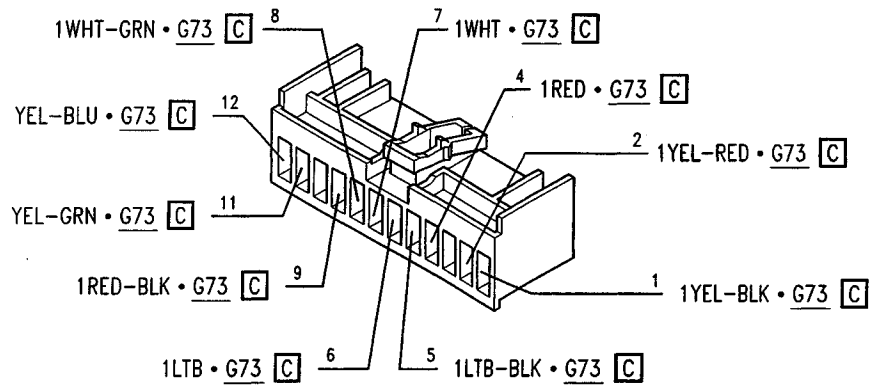
(**) up to November '99

<p>Third stop light</p>	<p>E28</p>	<p>Third stop light</p>	<p>E28</p>
<p>GTV</p> <p>1 RED-BLK • G73 [C] — 1 RED-BLK 1</p> <p>1 BLK • G63b 2</p>		<p>SPIDER</p> <p>1 RED-BLK • E19 — 1 RED-BLK 3</p> <p>1 RED-BLK • G73 [C] — 1 RED-BLK 2</p> <p>BLK • G63b 1</p>	
<p>Third stop light on spoiler</p>	<p>E28a</p>	<p>Rear RH fog guard/reversing light</p>	<p>E30</p>
<p>GTV</p> <p>1 RED-BLK • G73 [C] — 1 RED-BLK 1</p> <p>1 BLK • G63b 2</p>		<p>1 GRY-WHT • G73 [A] — 1 GRY 4</p> <p>1 GRY • E31 — 1 GRY 3</p> <p>1 WHT-GRN • G73 [C] — 1 WHT-GRN 2</p> <p>1 BLK • G63b 1</p>	
<p>Rear LH fog guard/reversing light</p>	<p>E31</p>	<p>Passenger compartment ceiling light</p>	<p>F3</p>
<p>1 GRY-WHT • G73 [A] — 1 GRY 4</p> <p>1 GRY-YEL • E30 — 1 GRY-YEL 3</p> <p>1 WHT • G73 [C] — 1 WHT 2</p> <p>1 BLK • G63b 1</p>		<p>(*) 2.5 BLK • G63b — BLK 3</p> <p>BLK • G63b 3</p> <p>1 YEL-BLK • G73 [C] — 1 YEL-BLK 4</p> <p>PPL-WHT • G355</p> <p>PPL-WHT • G73 [B] — 1 PPL-WHT 2</p> <p>(*) PPL-WHT 2</p> <p>PPL-WHT • G73 [B] — 1 PPL-WHT 2</p> <p>1 RED • N53 — 1 RED 1</p> <p>1 RED-GRN • G73 [C] — 1 RED-GRN 1</p>	
<p>Luggage compartment light</p>	<p>F5</p>	<p>Light on LH front door</p>	<p>F45</p>
<p>PNK • G73 [B] — 1 PNK 4</p> <p>PNK-BLK • G73 [B] — 1 PNK-BLK 3</p> <p>WHT-YEL • G73 [A] — 1 WHT-YEL 2</p> <p>PNK-BLK • G73 [A] — 1 PNK-BLK 1</p> <p>PNK-BLK • H24 — 1 PNK-BLK 1</p>		<p>1 RED • G23 2</p> <p>GRY-WHT • G23 1</p>	

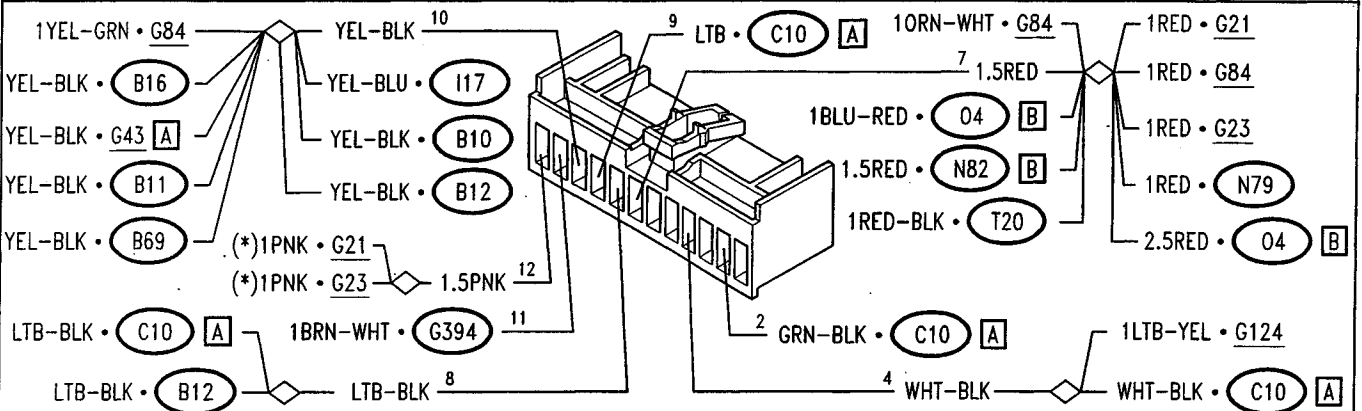
(*) from November '99
PA49720000010

(**) up to November '99

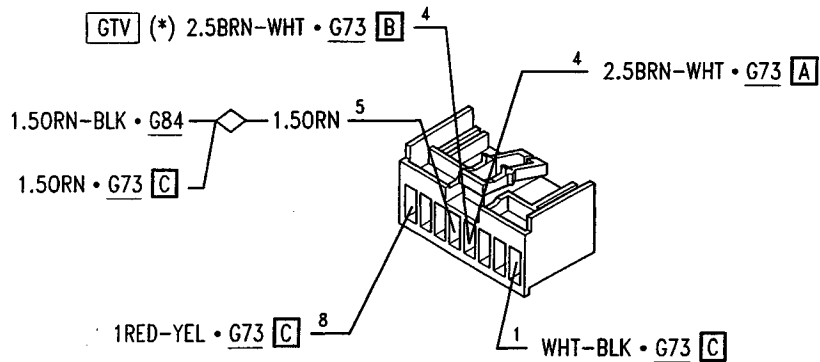
Fusebox (G1) (C)



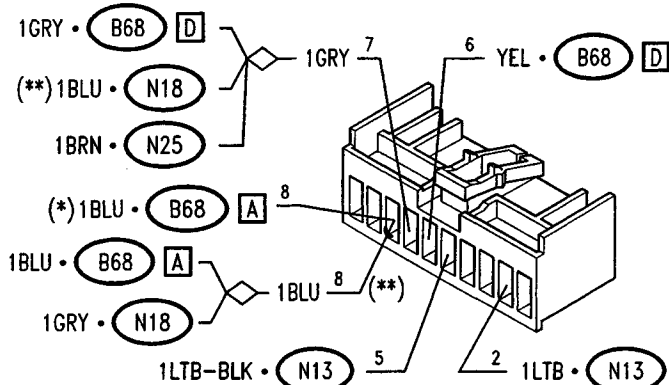
Fusebox (G1) (D)



Fusebox (G1) (E)



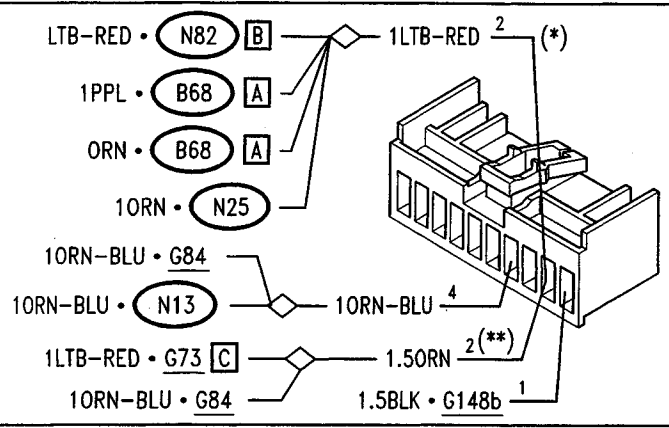
Fusebox (G1) (F)



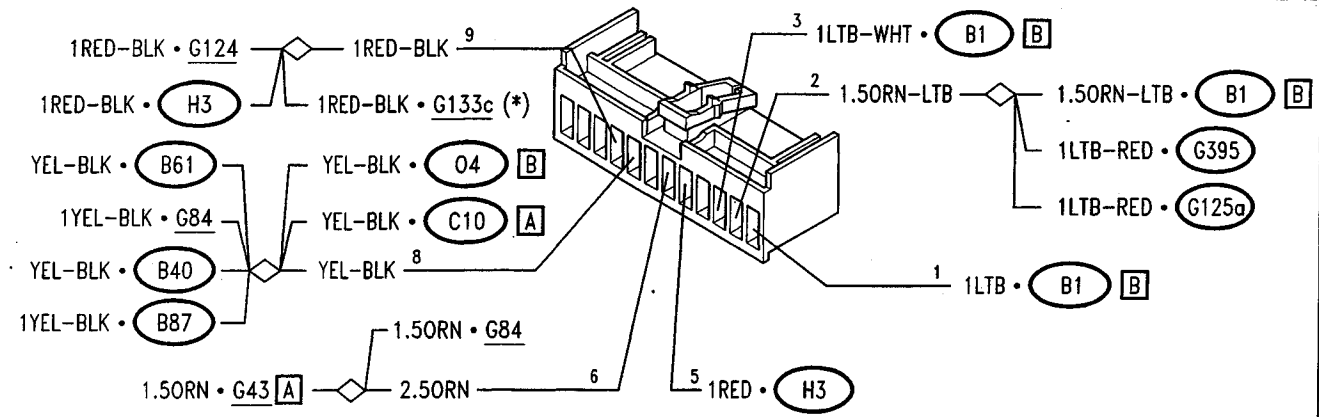
(*) from November '99
 PA497200000010

(**) up to November '99

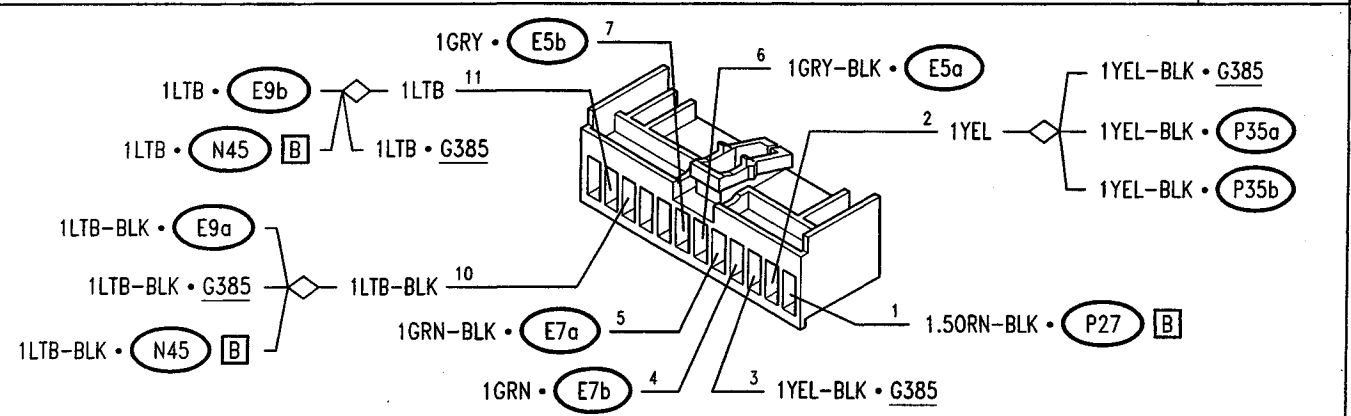
Fusebox G1 G



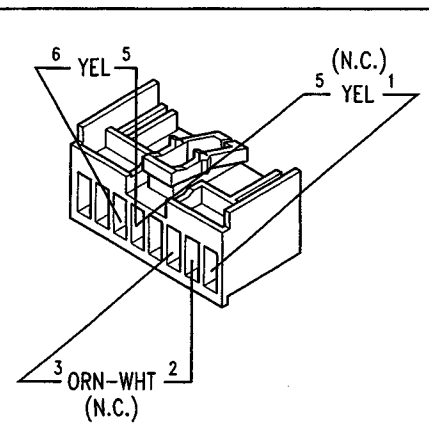
Fusebox G1 H



Fusebox G1 I



Fusebox G1 J

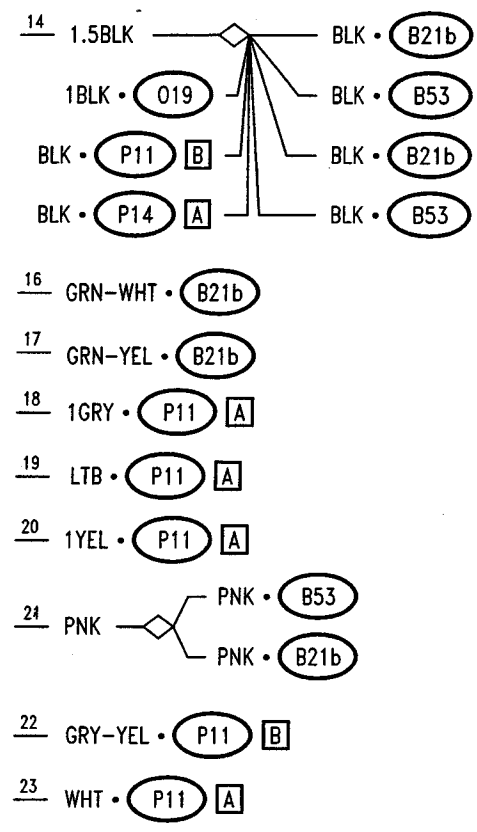
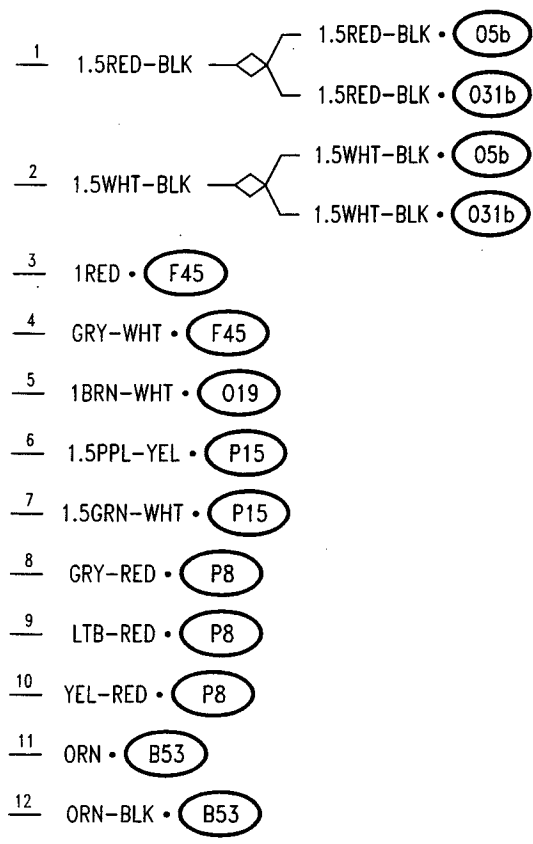
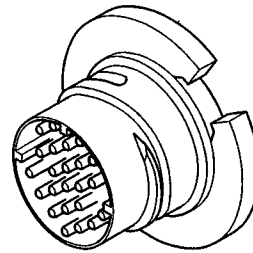
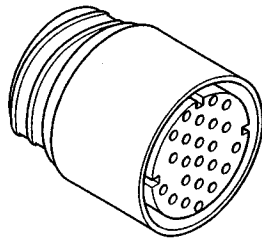
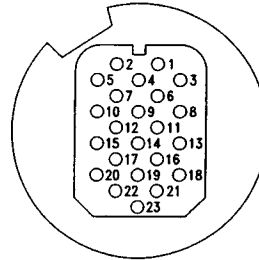
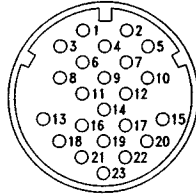


(*) from November '99
 PA49720000010

(**) up to November '99

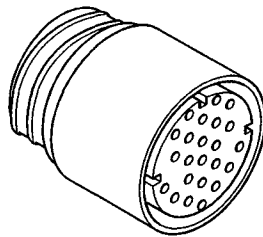
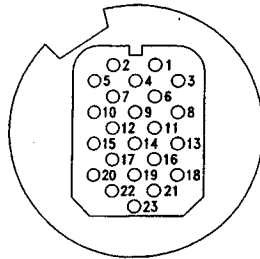
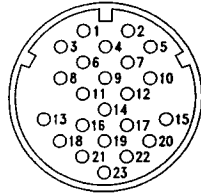
Connector for LH front door wiring

G23



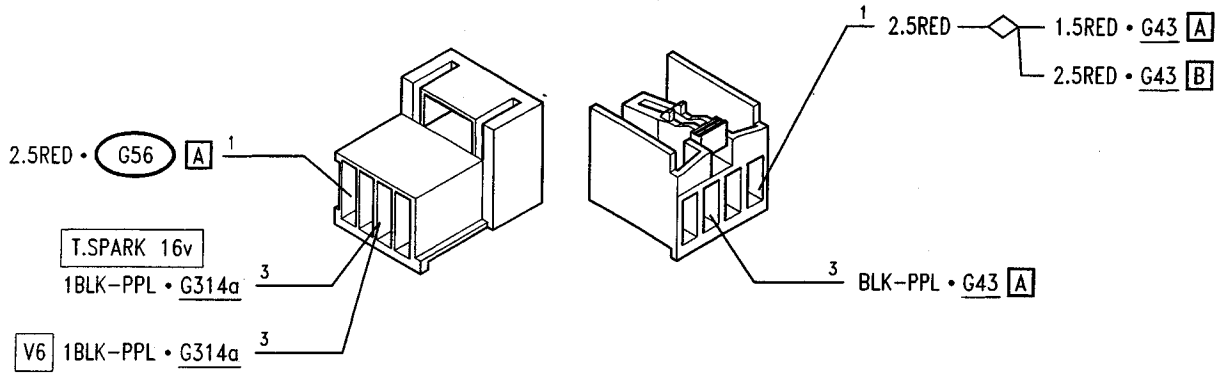
Connector for LH front door wiring

G23

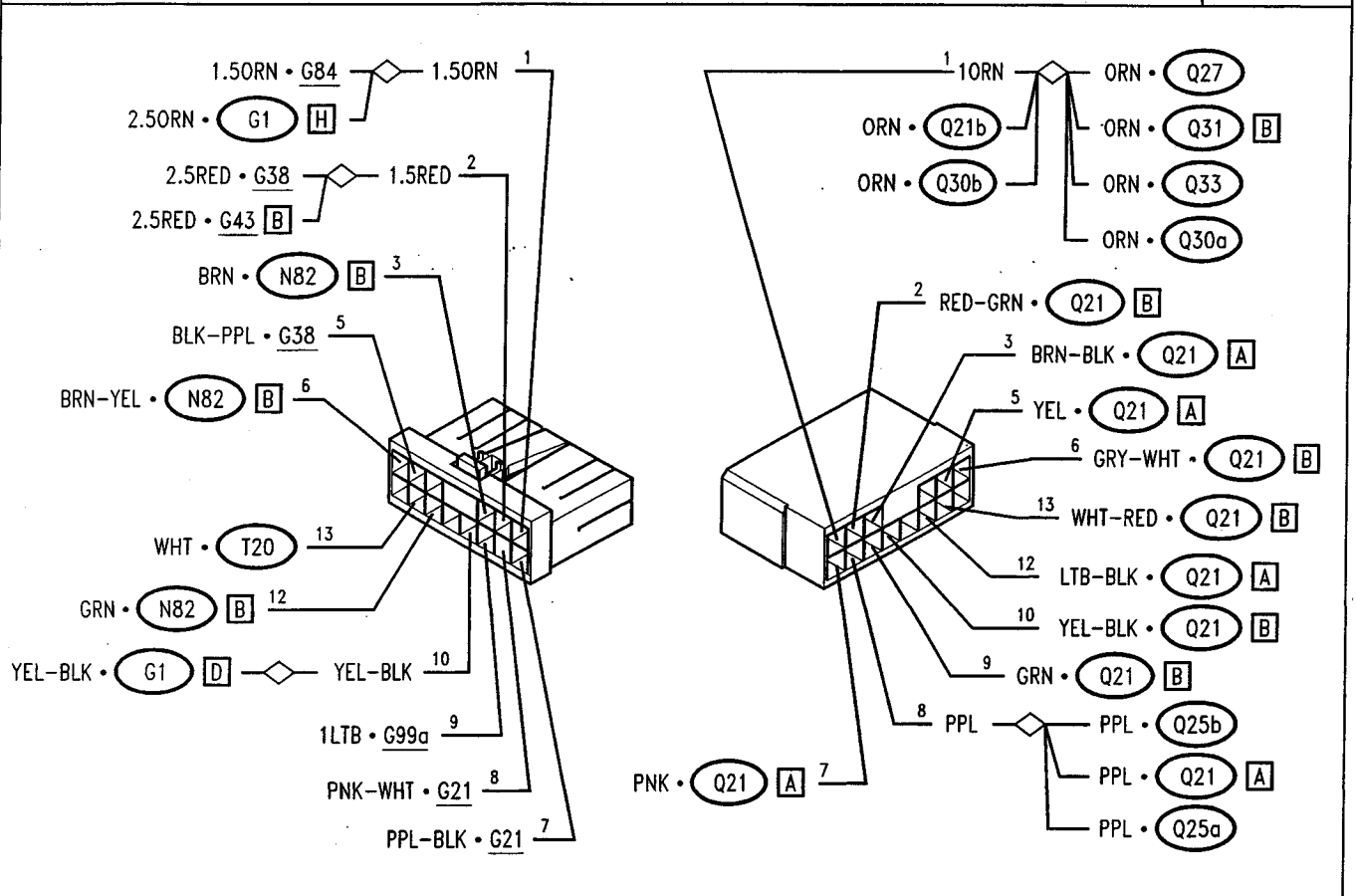


- | | |
|--|--|
| <p><u>1</u> 1.5RED-BLK • (04) [A]</p> <p><u>2</u> 1.5WHT-BLK • (04) [A]</p> <p><u>3</u> 1RED —◇— 1.5RED • (G1) [D]
1RED • G21</p> <p><u>4</u> GRY-WHT —◇— PPL • (N82) [C]
GRY-WHT • G21</p> <p><u>5</u> BRN-WHT —◇— BRN-WHT • G21
1BRN-WHT • (G394)</p> <p><u>6</u> 1.5PPL-YEL • (N82) [A]</p> <p><u>7</u> 1.5WHT-GRN • (N82) [A]</p> <p><u>8</u> GRY-RED • G84</p> <p><u>9</u> LTB-RED • G84</p> <p><u>10</u> YEL-RED —◇— YEL-RED • G21
YEL-RED • G84</p> <p><u>11</u> ORN • (N82) [A]</p> <p><u>12</u> ORN-BLK • (N82) [A]</p> <p><u>13</u> N.C.</p> <p><u>14</u> 1.5BLK • G148b</p> | <p><u>15</u> N.C.</p> <p><u>16</u> GRN-WHT • (N82) [A]</p> <p><u>17</u> GRN-YEL • (N82) [A]</p> <p><u>18</u> 1GRY —◇— 1GRY • G21
1GRY • (N82) [B]</p> <p><u>19</u> LTB —◇— LTB • G21
LTB • (N82) [B]</p> <p><u>20</u> 1YEL —◇— 1YEL • G21
1YEL • (N82) [B]</p> <p><u>21</u> 1PNK —◇— 1.5RED • (N82) [A] (**)
1PNK • G21
1.5RED • (G312b) (**)
1.5PNK • (G1) [D] (*)</p> <p><u>22</u> GRY-YEL —◇— GRY-YEL • (N82) [B]
CRY-YEL • G99a
CRY-YEL • (C10) [A]</p> <p><u>23</u> WHT —◇— WHT • G21
WHT • (N82) [B]</p> |
|--|--|

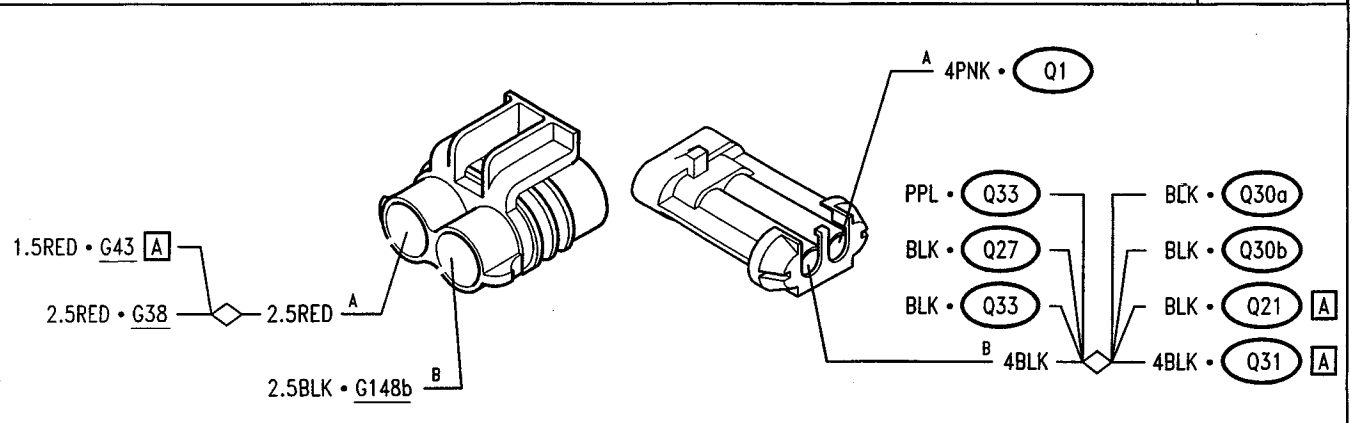
Air conditioner wiring connector/front **G38**



Connector for heating and ventilation control wiring/dashboard **G43** [A]



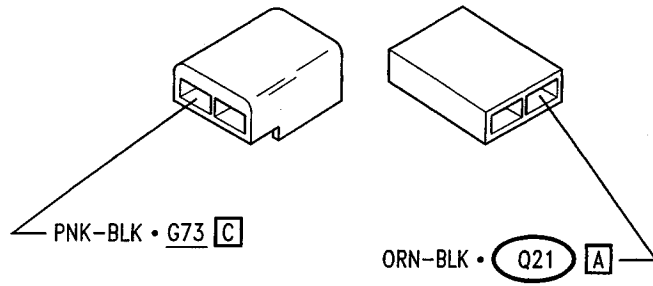
Connector for heating and ventilation control wiring/dashboard **G43** [B]



(*) from November '99
 PA49720000010

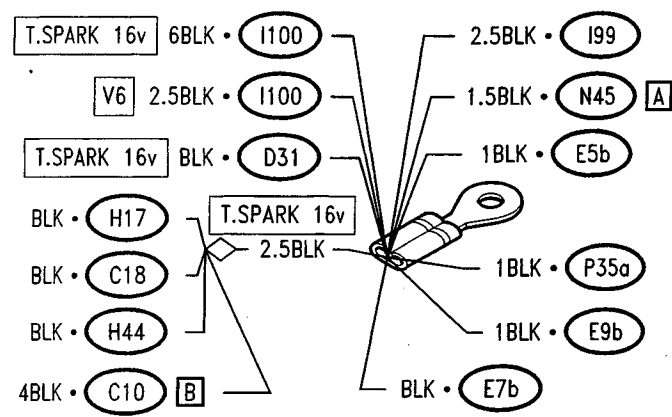
(**) up to November '99

Connector for heating and ventilation control wiring/dashboard G43 C



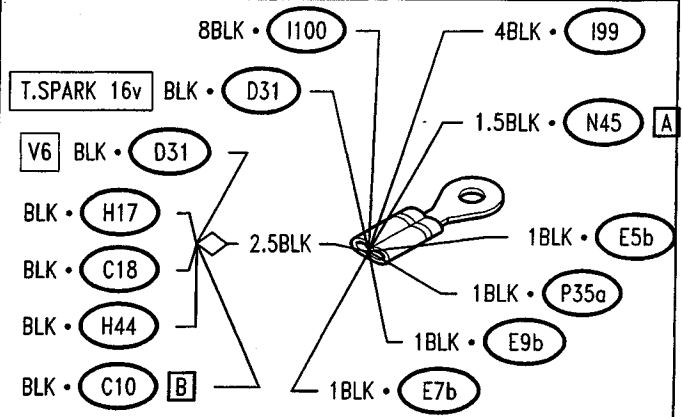
RH engine compartment earth (**)

G53a



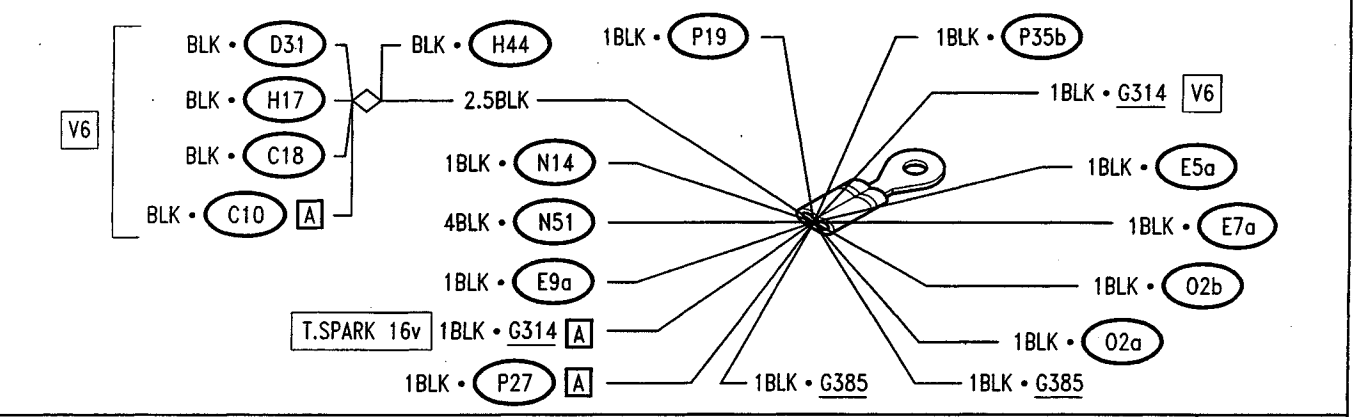
RH engine compartment earth (*)

G53a



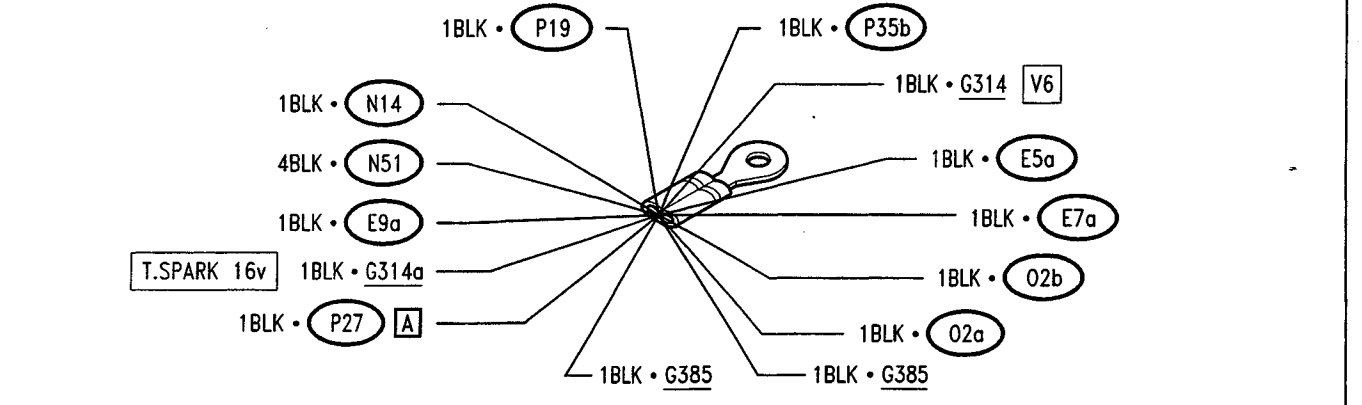
LH engine compartment earth (**)

G53b



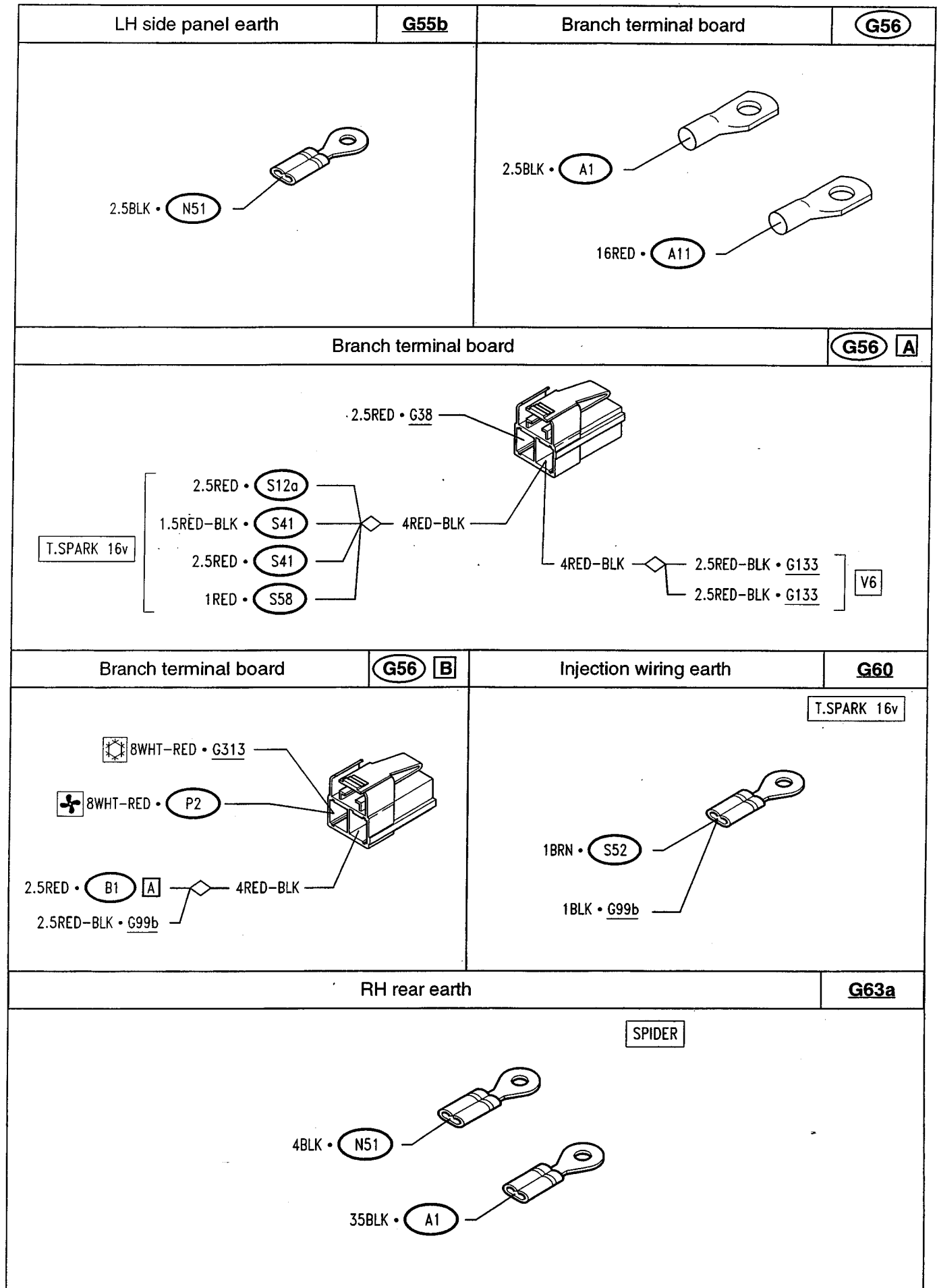
LH engine compartment earth (*)

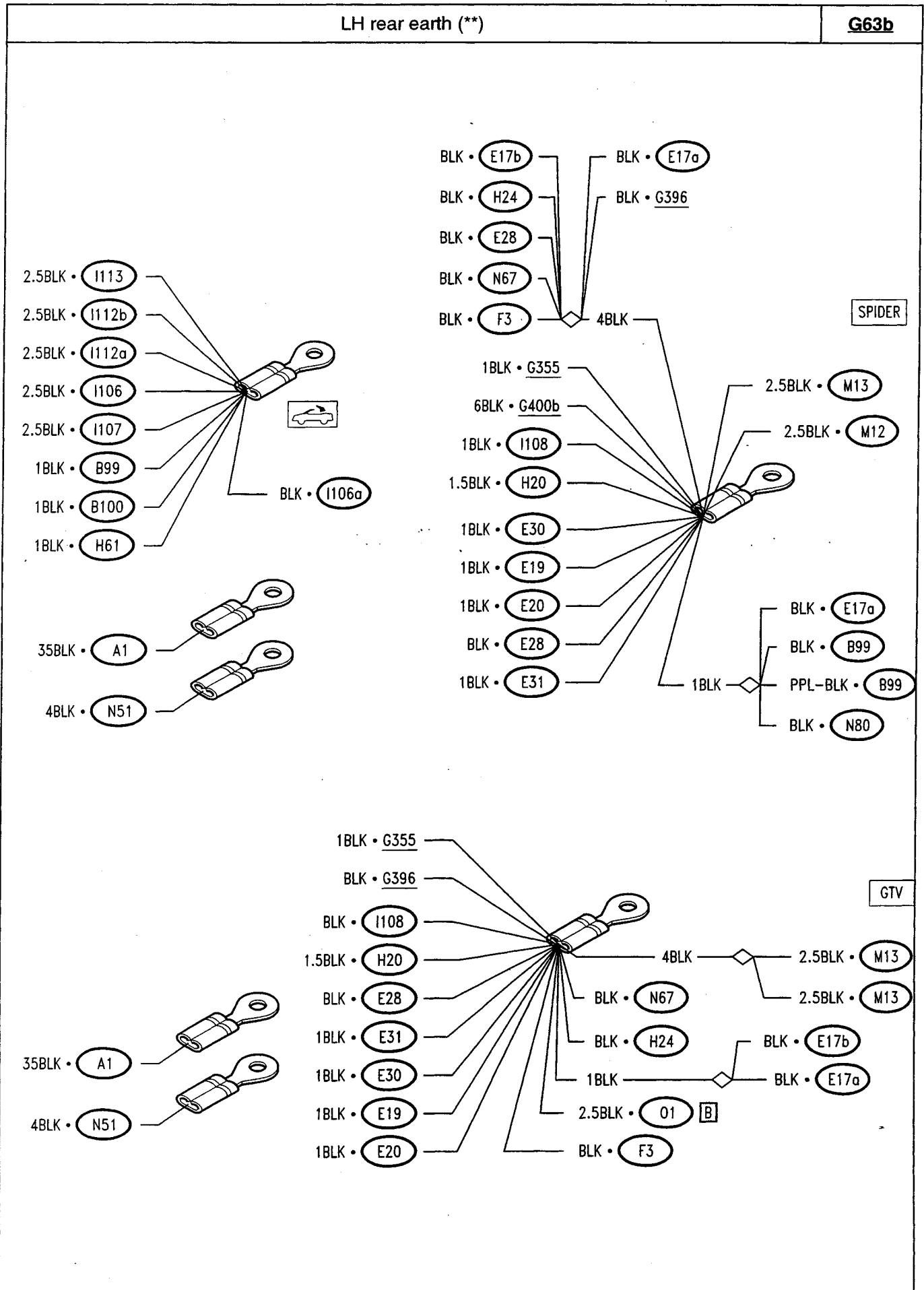
G53b



(*) from November '99
PA49720000010

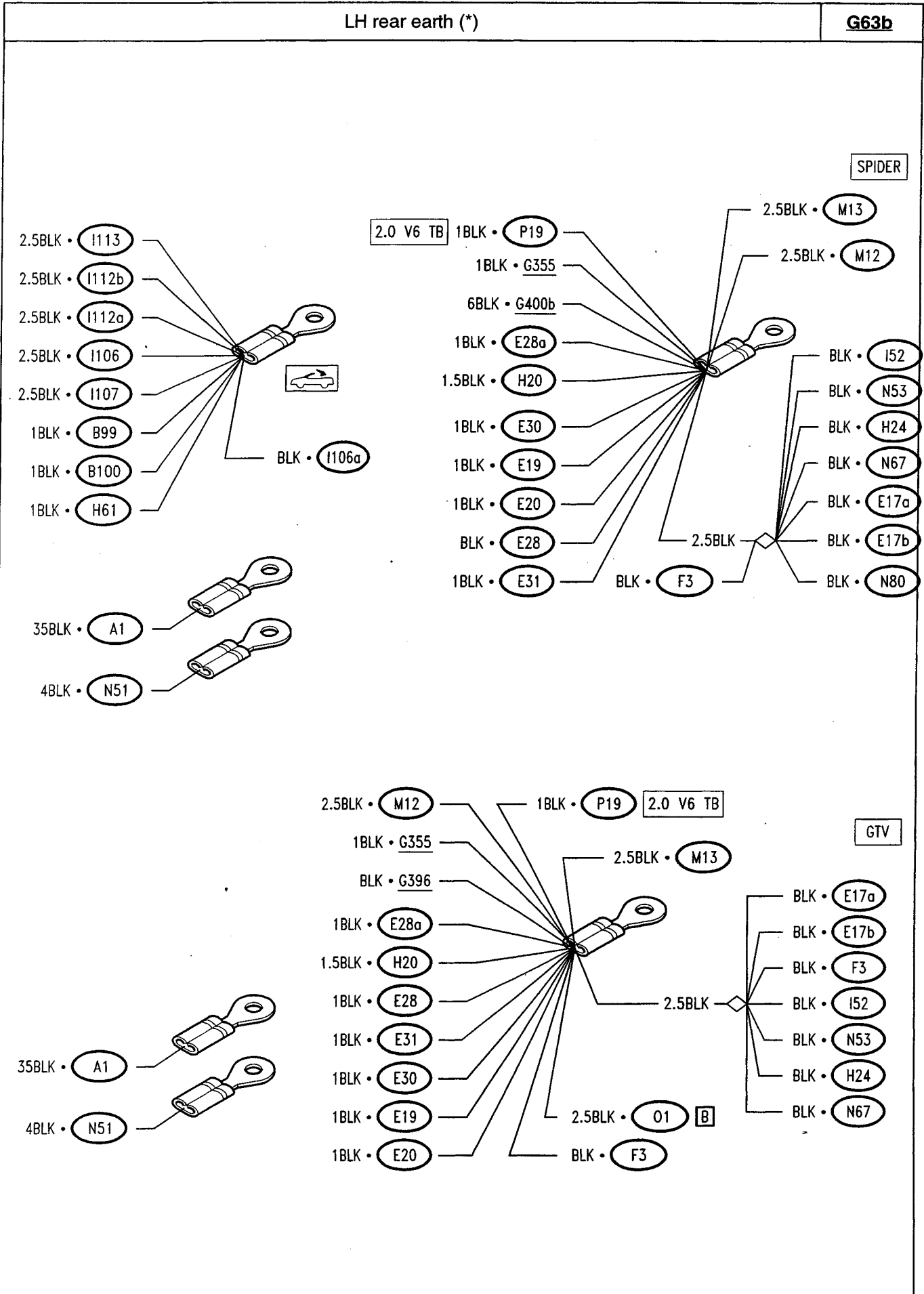
(**) up to November '99





(*) from November '99
PA49720000010

(**) up to November '99

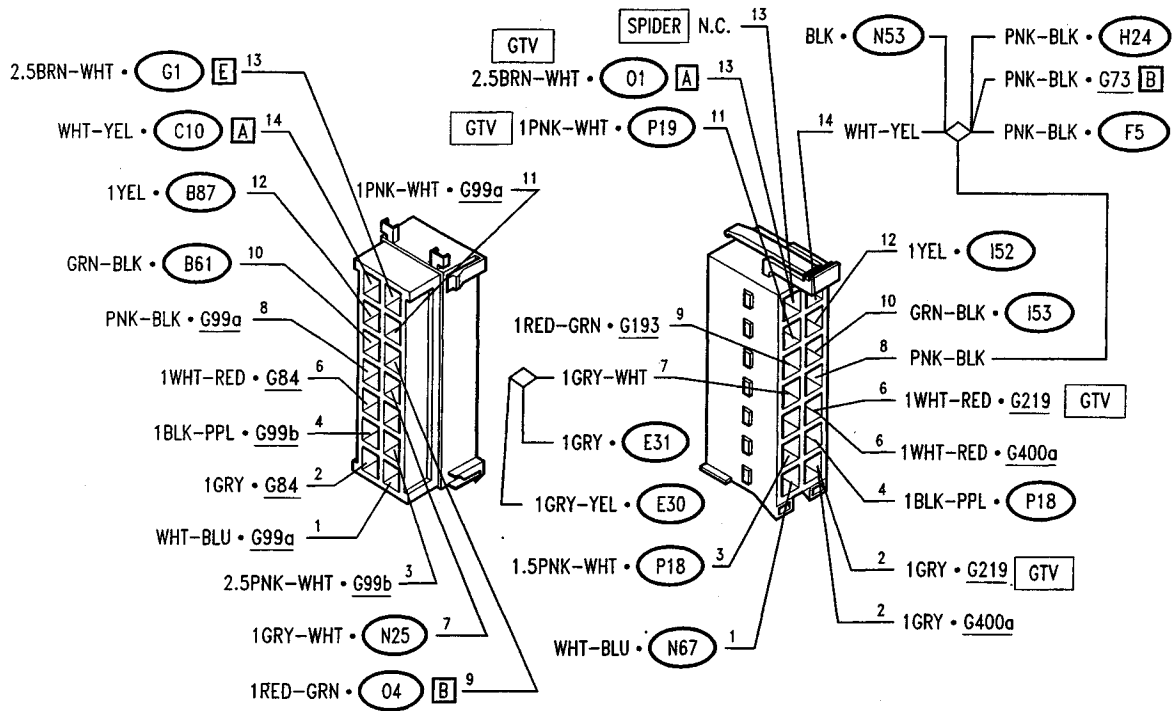


(*) from November '99
PA49720000010

(**) up to November '99

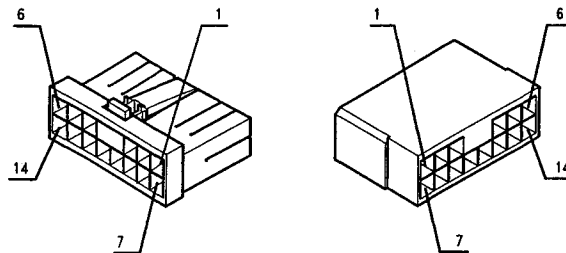
Connector for rear services (**)

G73 A



Connector for rear services (*)

G73 A

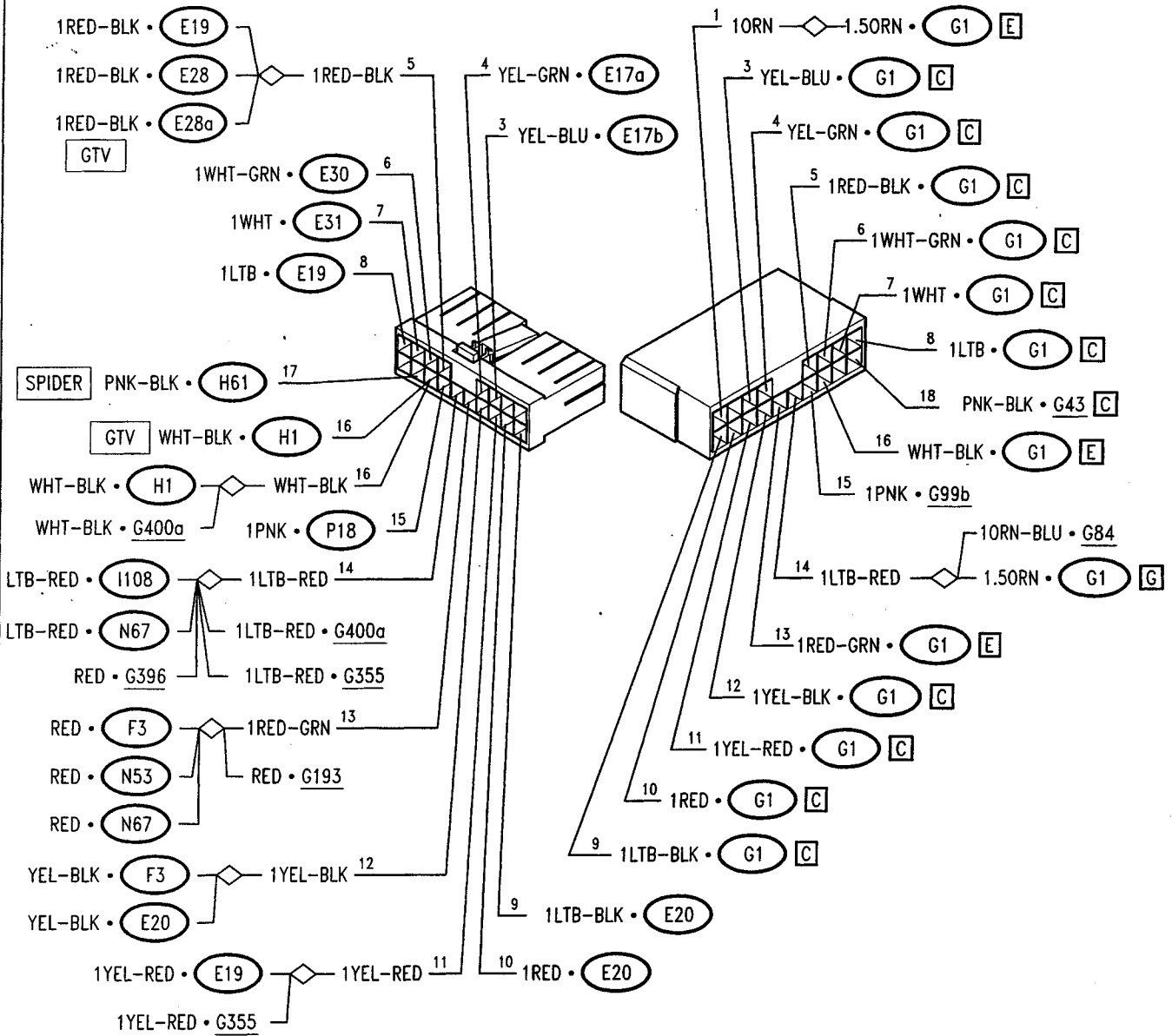


- 1 YEL (N82) C
- 2 1GRY (G84)
- 3 PNK-WHT (G99a)
- 4 WHT-BLU (G99a)
- 5 1GRY-WHT (N25)
- 6 WHT-YEL (C10) A
- 7 1RED-GRN (O4) B
- 8 1WHT-RED (G84)
- 9 1BLK (G99b)
- 10 GRN (N82) C
- 11 1PNK-WHT (G99a)
- 12 1PNK (N82) A
- 13 LT8-YEL (N82) C
- 14 1BRN (N82) A

- 1 YEL (I52)
- 2 1GRY (G219)
- 3 PNK-BLK (F5) B
- 4 WHT-BLU (N67)
- 5 1GRY-WHT (E31) E30
- 6 WHT-YEL
- 7 1RED-GRN (G193)
- 8 1WHT-RED (G219)
- 9 1BLK (P18)
- 10 GRN (I53)
- 11 1PNK-WHT (P19) 2.0 V6 TB

Connector for rear services (**)

G73 C

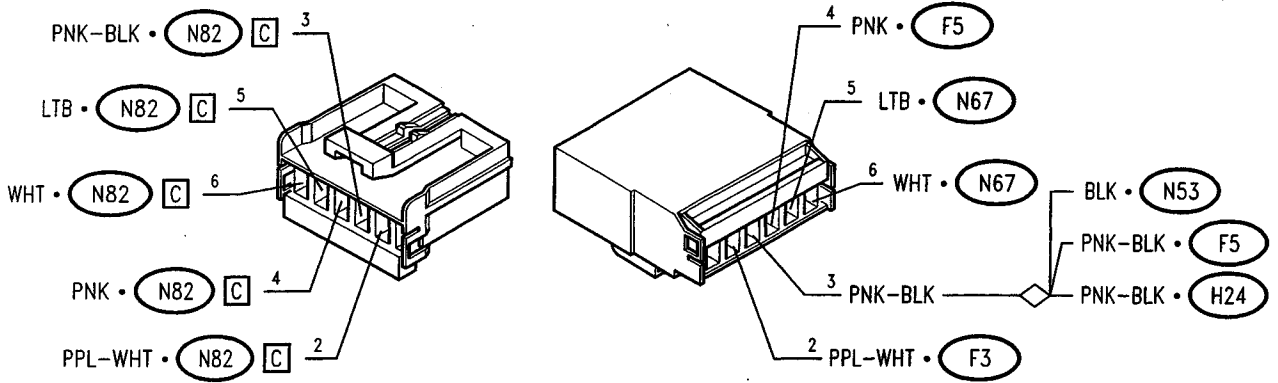


(*) from November '99
 PA497200000010

(**) up to November '99

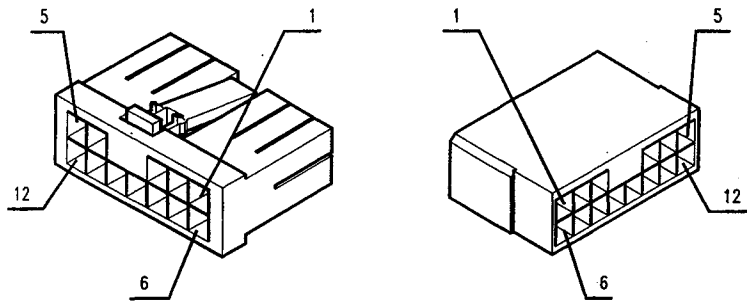
Connector for rear services (**)

G73 B



Connector for rear services (*)

G73 B



- 1 PPL-WHT • N82 [C]
- 2 PNK-BLK • N82 [C]
- 3 PNK • N82 [C]
- 4 LTB • N82 [C]
- 5 WHT • N82 [C]
- 6 GRY-BRN • N82 [B]
- 7 YEL-RED • N82 [C]
- 8 2.5PNK-WHT • G99b
- 9 2.5BRN-WHT • G1 [E] [GTV]
- 10 1.5BLK-PPL • G148b
- 11 1PPL-BLK • G84
- 12 1LTB-BLK — 1LTB-BLK • G124
1LTB-BLK • G99a

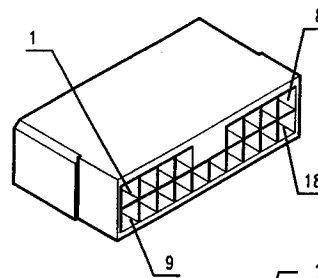
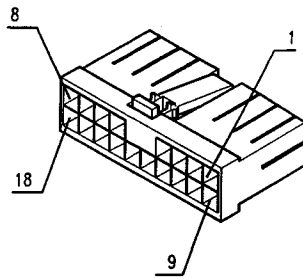
- 1 PPL-WHT — PPL-WHT • G355b
PPL-WHT • F3
- 2 PNK-BLK — WHT-YEL • G73 [A]
PNK-BLK • G73 [A]
PNK-BLK • H24
PNK-BLK • F5 [B]
- 3 PNK • F5 [A]
- 4 LTB • N67
- 5 WHT • N67
- 8 2.5PNK-WHT • P18
- 9 2.5BRN-WHT • 01 [GTV]

(*) from November '99
PA49720000010

(**) up to November '99

Connector for rear services (*)

G73 C



- 1 1.5ORN —◇— 1.5ORN • (G1) [E]
- 3 YEL-BLU • (G1) [C]
- 4 YEL-GRN • (G1) [C]
- 5 1RED-BLK • (G1) [C]
- 6 1WHT-GRN • (G1) [C]
- 7 1WHT • (G1) [C]
- 8 1LTB • (G1) [C]
- 9 1LTB-BLK • (G1) [C]
- 10 1RED • (G1) [C]
- 11 1YEL-RED • (G1) [C]
- 12 1YEL-BLK • (G1) [C]
- 13 1RED-YEL • (G1) [E]
- 14 BLU-YEL • (N82) [C]
- 15 1PNK • G99b
- 16 WHT-BLK • (G1) [E]
- 18 PNK-BLK • G43 [C]

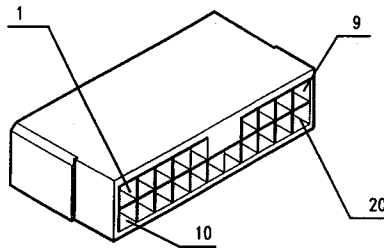
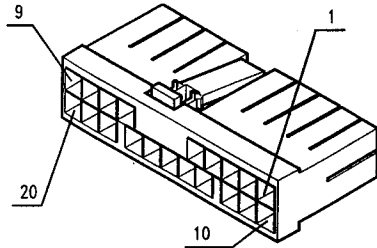
- 1 1.5ORN —◇— 1.5LTB-RED • G355a
- 1 1.5ORN —◇— 1.5LTB-RED • (N67)
- 1.5LTB-RED • G396 —◇— 1.5LTB-RED • G400a [SPIDER]
- 3 YEL-BLU • (E17a)
- 4 YEL-GRN • (E17b)
- 5 1RED-BLK —◇— 1RED-BLK • (E28)
- 5 1RED-BLK —◇— 1RED-BLK • (E28a)
- 5 1RED-BLK —◇— 1RED-BLK • (E19)
- 6 1WHT-GRN • (E30)
- 7 1WHT • (E31)
- 8 1LTB • (E19)
- 9 1LTB-BLK • (E20)
- 10 1RED • (E20)
- 11 1YEL-RED —◇— 1YEL-RED • G355a
- 11 1YEL-RED —◇— 1RED-BLK • (E19)
- 12 1YEL-BLK —◇— YEL-BLK • (F3)
- 12 1YEL-BLK —◇— 1YEL-BLK • (E19)
- 13 1RED-YEL —◇— RED • (N67)
- 13 1RED-YEL —◇— RED • G193 —◇— RED • (F3)
- 13 1RED-YEL —◇— RED • (N53)
- 15 1PNK • (P18)
- 16 WHT-BLK • (H1) [GTV]
- 16 WHT-BLK —◇— WHT-BLK • (H1)
- 16 WHT-BLK —◇— WHT-BLK • G400a [SPIDER]

(*) from November '99
PA49720000010

(**) up to November '99

Console wiring connector

G84



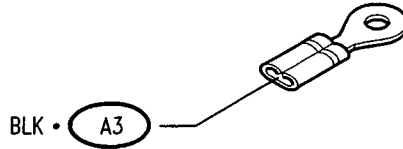
- 1 YEL-RED — YEL-RED • G21
YEL-RED • G23
- 2 1ORN-WHT — 1RED • G21
1.5RED • G1 [D]
1RED • G23
- 3 GRY-RED • G23
- 4 GRY-BLU • G21
- 5 LTB-RED • G23
- 6 LTB-WHT • G21
- 7 1.5ORN — 1.5ORN • G43 [A]
2.5ORN • G1 [H]
- 8 1YEL-GRN — YEL-BLK • G1 [D]
- 9 1.5BLK — 4BLK • G148b
- 10 PPL-BLK • G399 [SPIDER]
- 10 N.C. [GTV]
- 11 1GRY • G73 [A]
- 12 1WHT-RED • G73 [A] — 1.5ORN • G73 [C]
- 13 1.5ORN-BLK — 1.5ORN • G1 [E]
- 14 1.5BLK — 4BLK • G148b
- 15 1YEL-BLK — YEL-BLK • G1 [H]
- 16 1.5BLK • G148b
- 17 1LTB-BLK • G21
- 18 1LTB-YEL • G21
- 19 1RED — 1.5RED • G1 [D]
- 20 1ORN-BLU — 1.5ORN • G1 [G]
- 20 1ORN-BLU • G1 [B] (*)

- 1 YEL-RED • B36
- 2 ORN-WHT • B36
- 3 GRY-RED • B36
- 4 GRY-BLU • B36
- 5 LTB-RED • B36
- 6 LTB-WHT • B36
- 7 1.5ORN • O6
- 8 1YEL-GRN — YEL-GRN • B36
YEL-GRN • O6
- 9 1.5BLK — BLK • B36
1BLK • O6
- 10 PPL-BLK • D43
- 11 1GRY • B101
- 12 1WHT-RED • B101
- 13 1.5ORN-BLK — LTB-RED • D43
1.5RED-BLK • B101
- 14 1.5BLK — 1.5BLK-PPL • B101
1.5BLK • B101
- 10 N.C.
- 11 1GRY • B47
- 12 1WHT-RED • B47
- 13 1.5ORN-BLK • B47
- 14 1.5BLK — 1.5BLK • B47
1.5BLK-PPL • B47

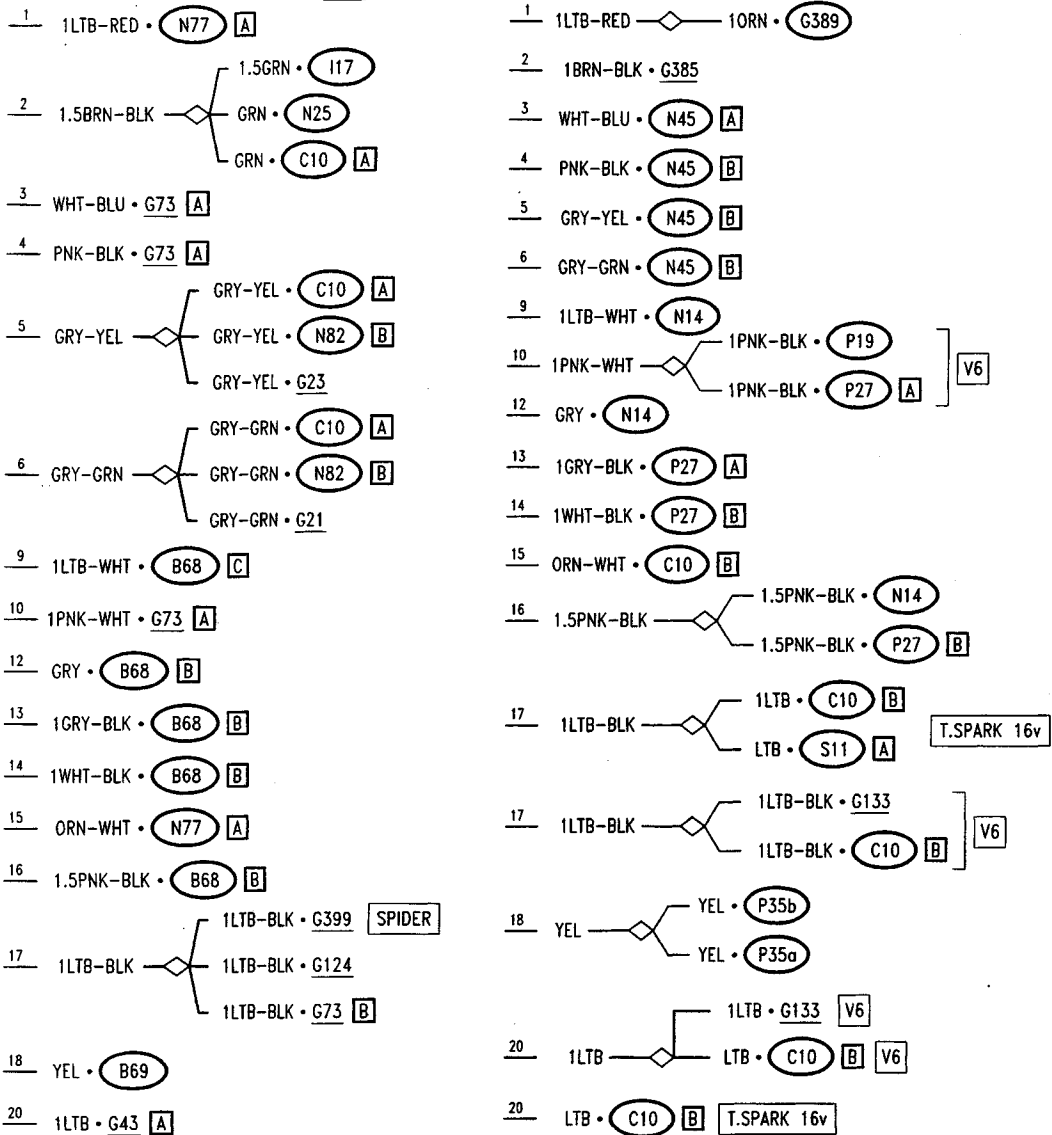
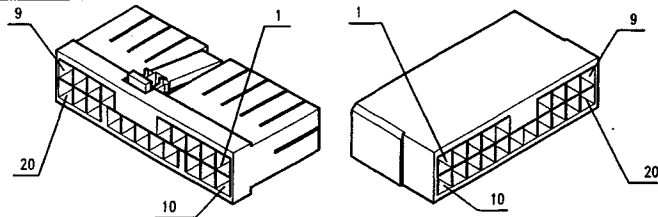
[SPIDER]

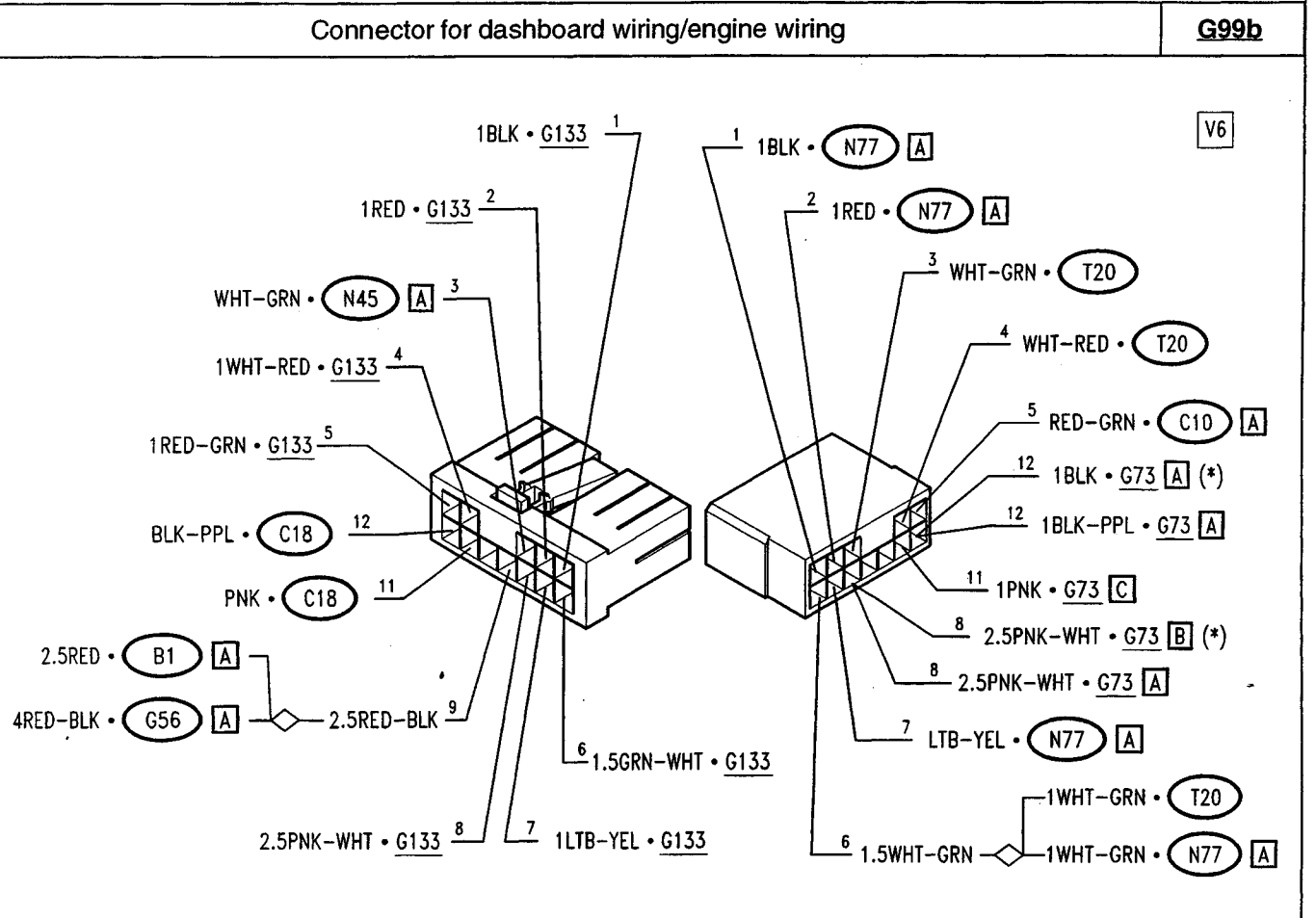
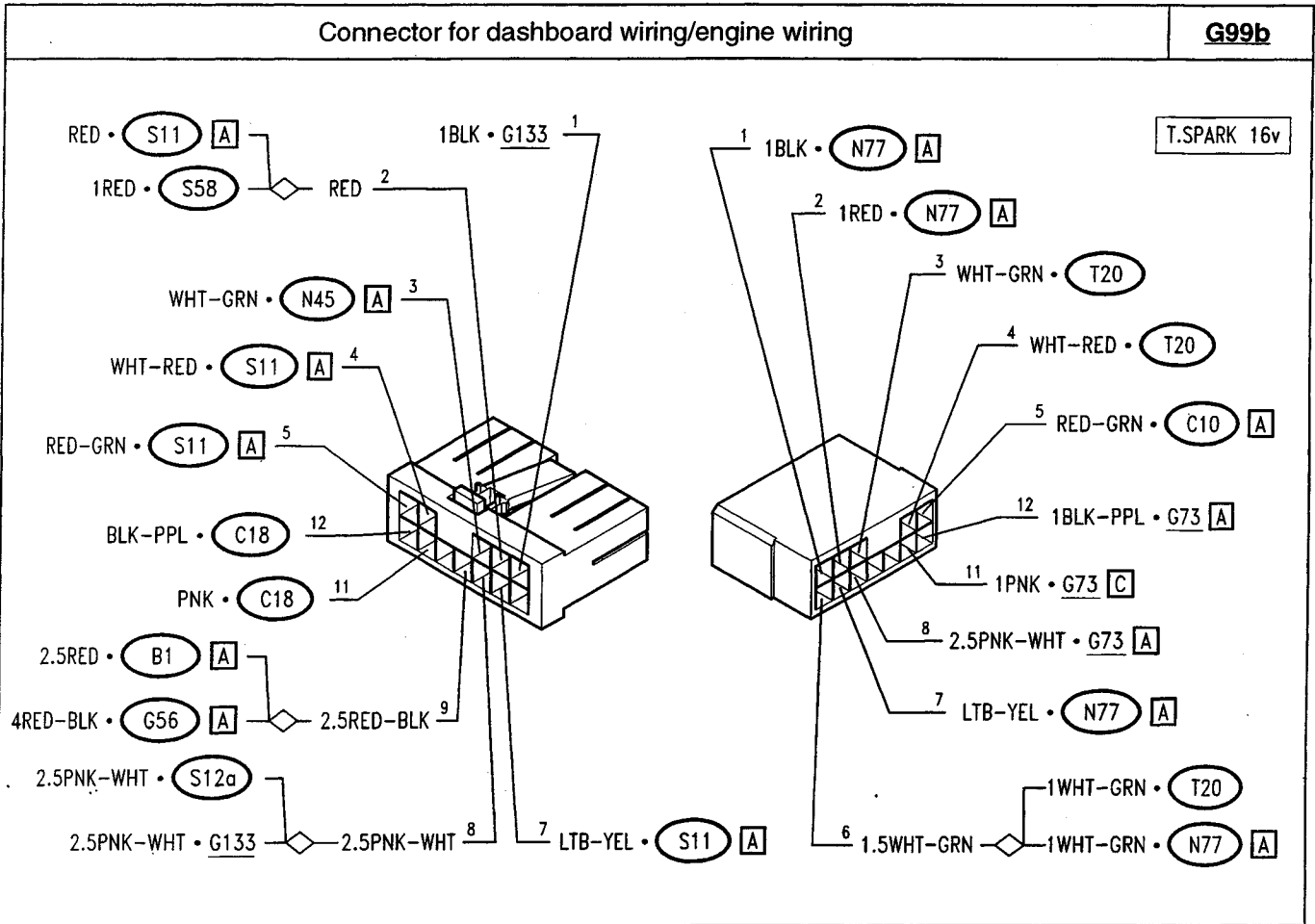
[GTV]

Luggage compartment earth G92



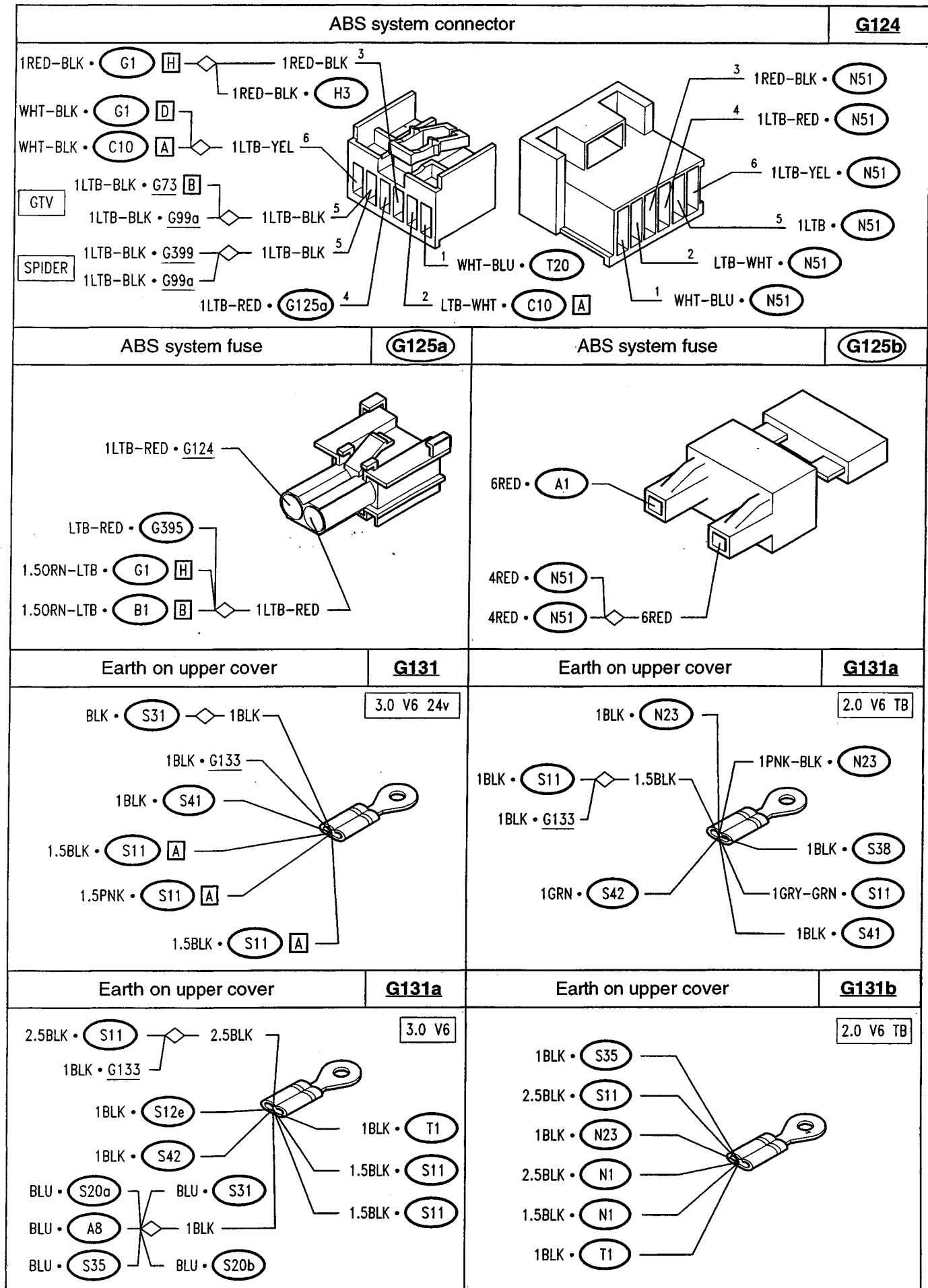
Connector for dashboard wiring/engine wiring G99a





(*) from November '99
 PA49720000010

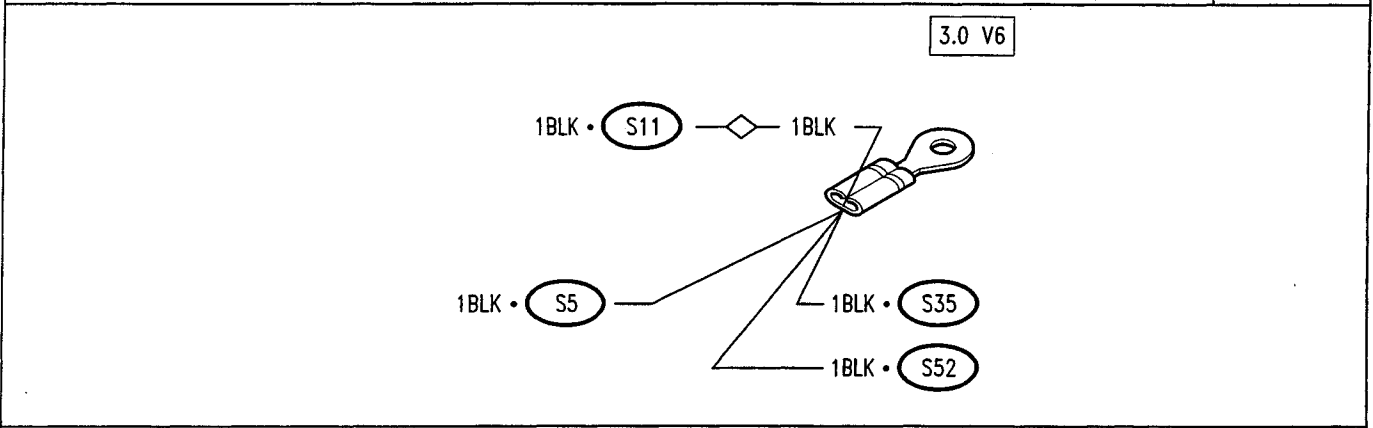
(**) up to November '99



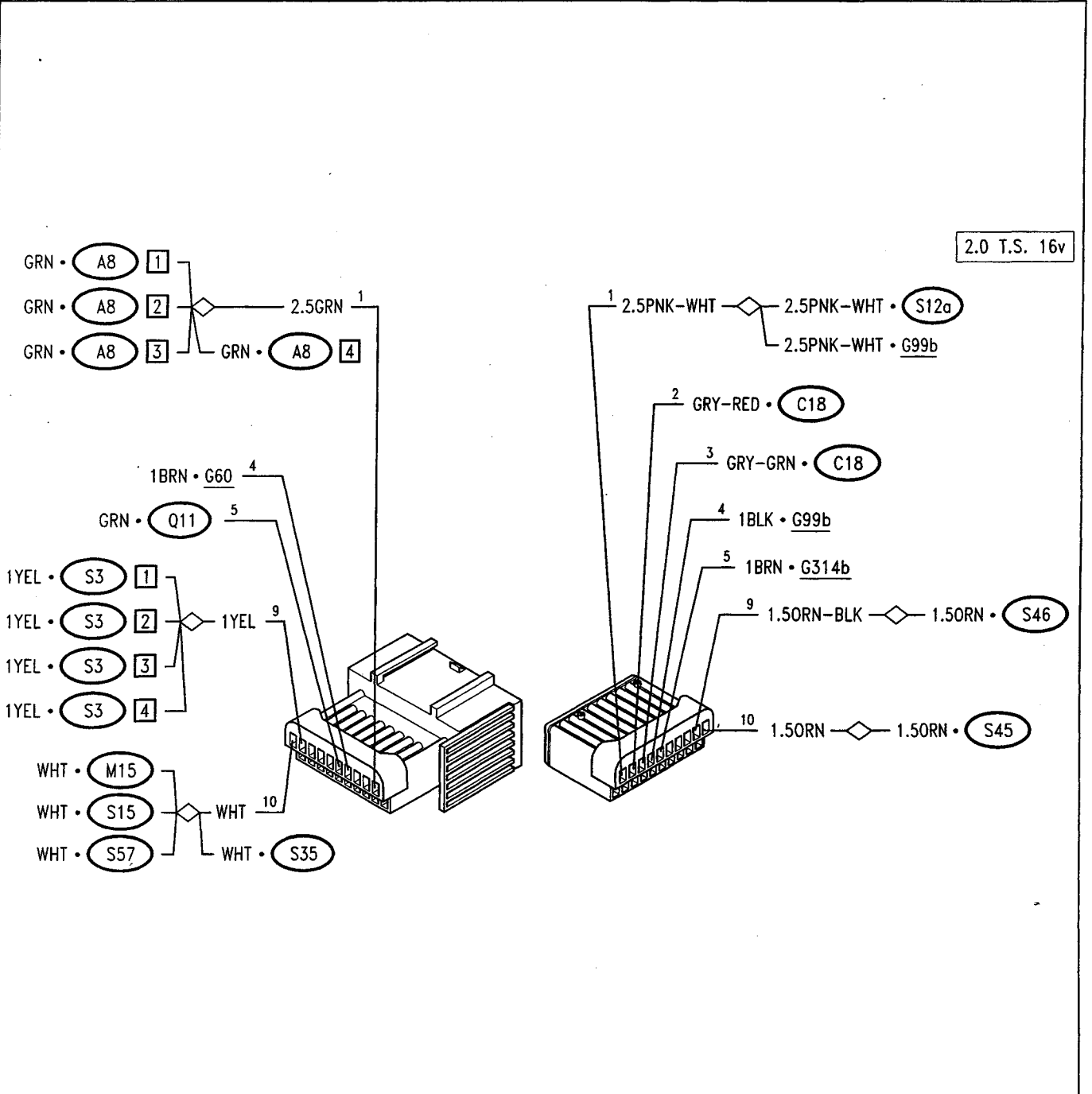
(*) from November '99
 PA49720000010

(**) up to November '99

Earth on upper cover **G131b**



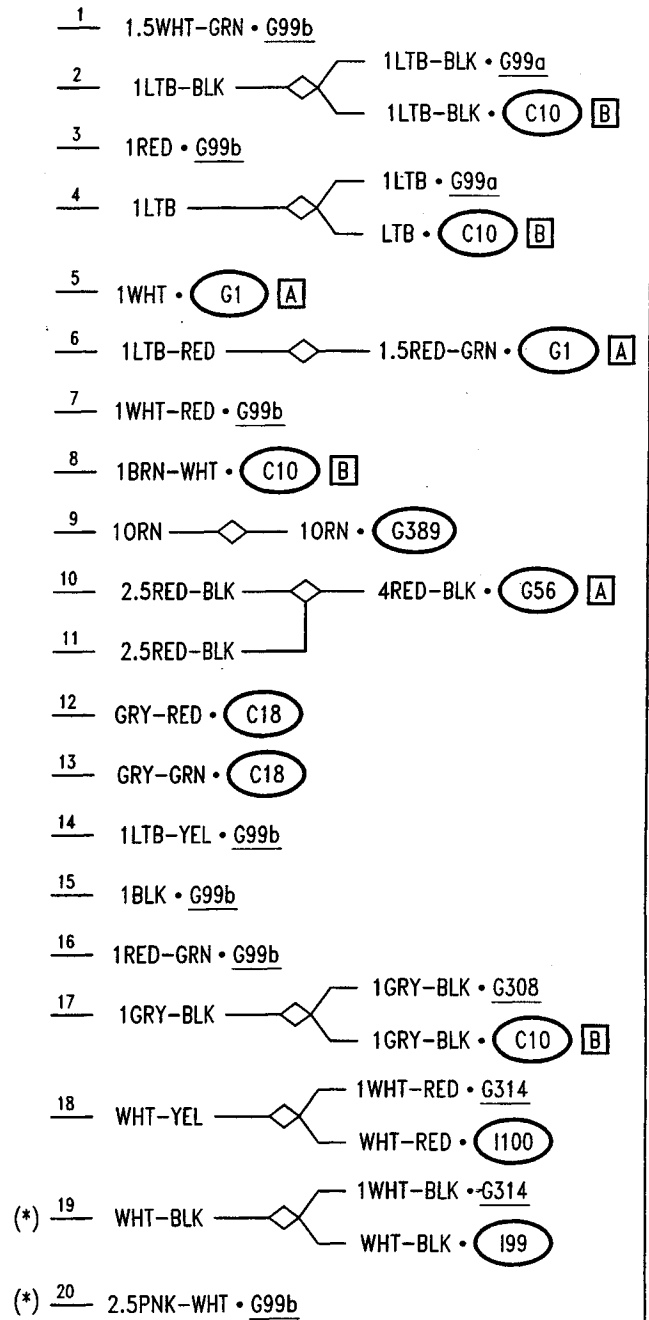
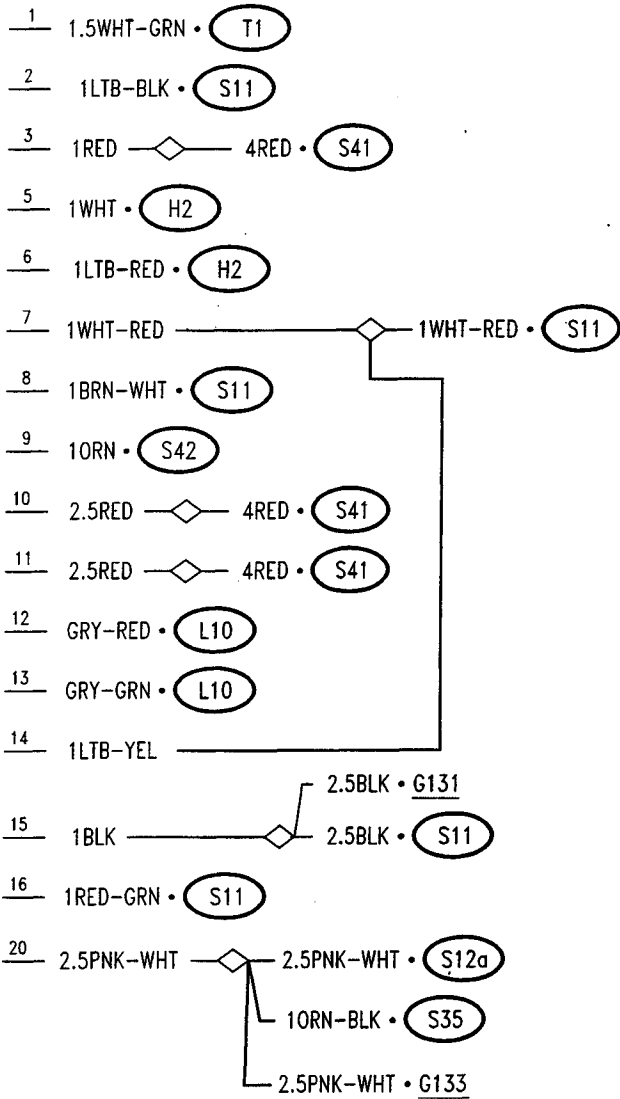
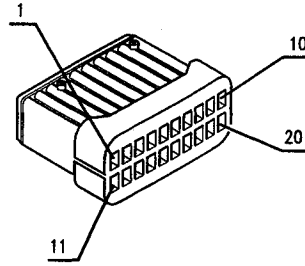
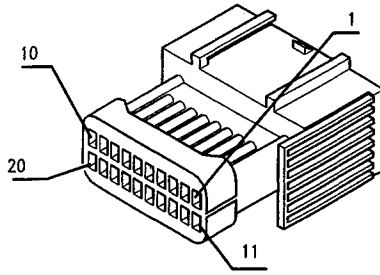
Connector for electronic injection wiring **G133**



Connector for electronic injection wiring

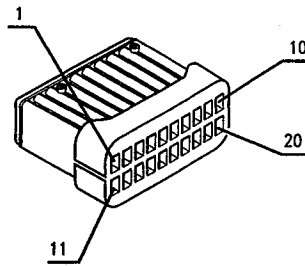
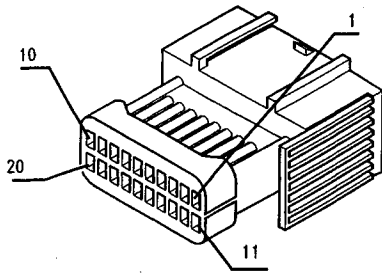
G133

3.0 V6

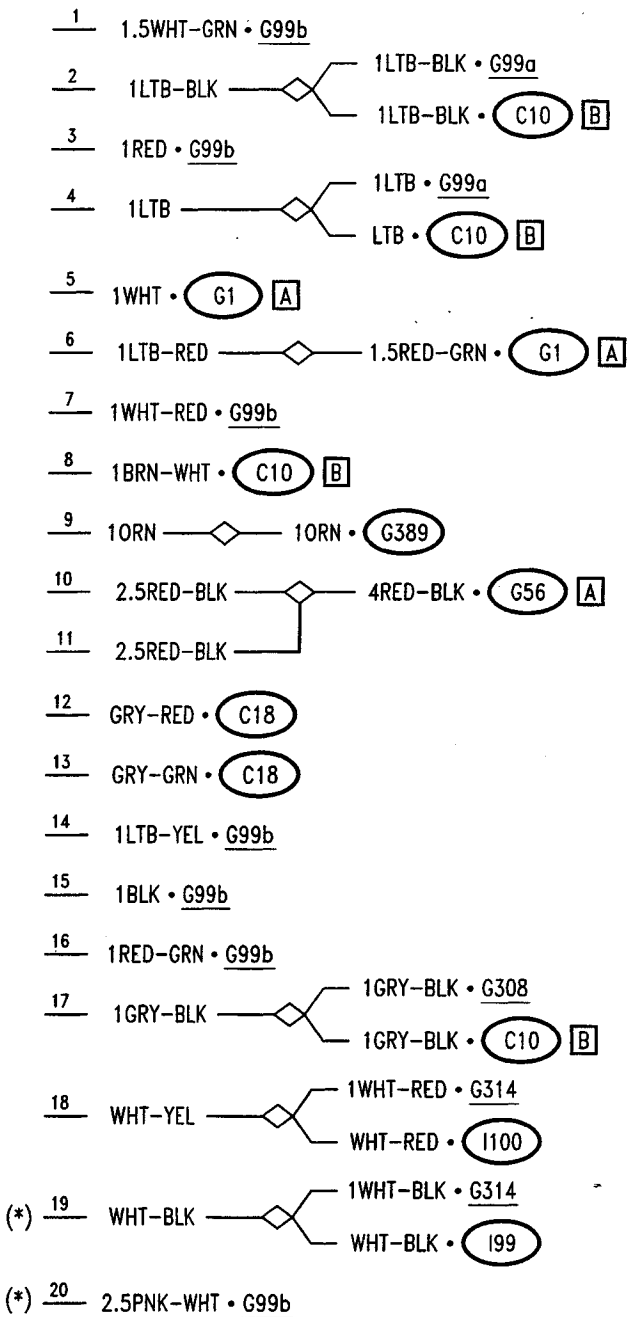
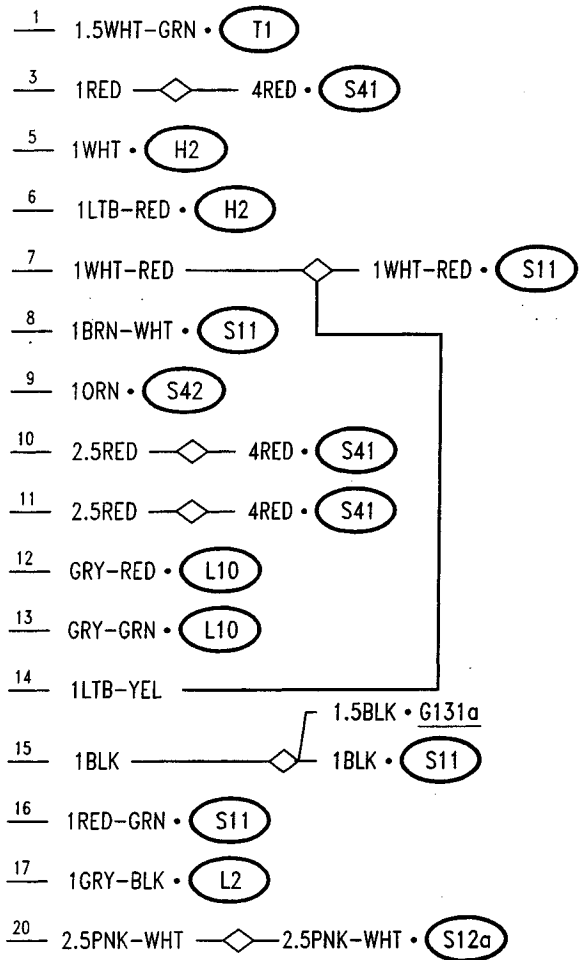


Connector for electronic injection wiring

G133



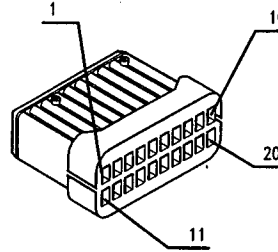
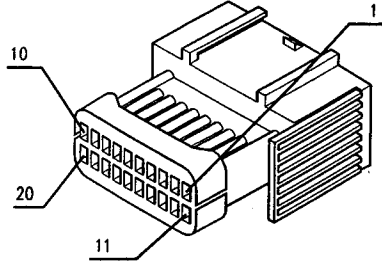
2.0 V6 TB



Connector for electronic injection wiring

G133

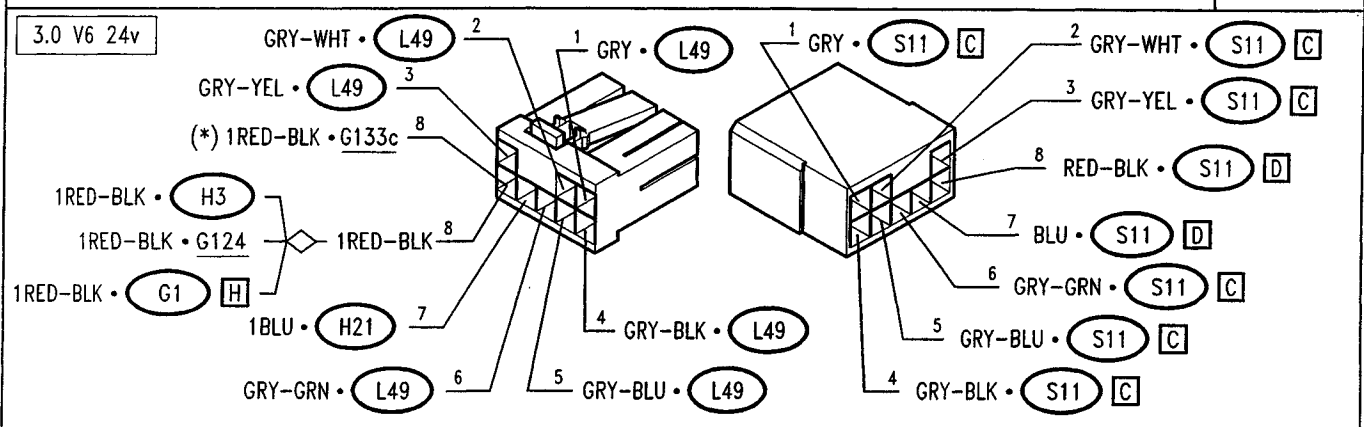
3.0 V6 24v



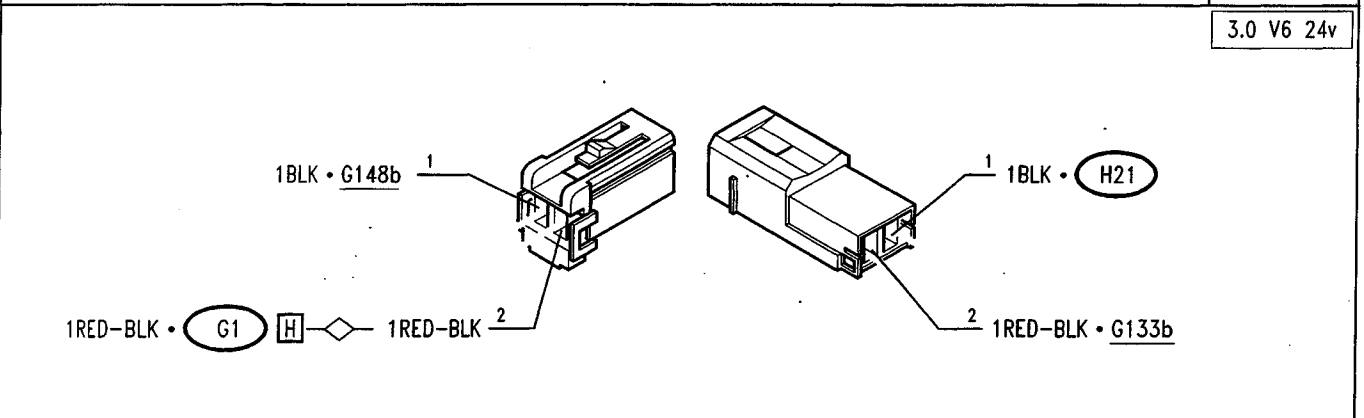
- 3 1RED ———— 1RED • S58
 RED • S11 [B]
- 4 LTB • S11 [D]
- 5 1WHT • H2
- 6 1LTB-RED • H2
- 7 1WHT-RED • S11 [C]
- 8 BRN-WHT • S11 [C]
- 9 1ORN • S46
- 10 2.5RED ———— 2.5RED • S41
 2.5RED • S12a
- 11 2.5RED ———— 2.5RED • S41
 2.5RED • S12a
- 12 GRY-RED • L7
- 15 1BLK • G131
- 16 1RED-GRN • S11 [F]
- 18 WHT-RED • S11 [D]
- 19 WHT-BLK • S11 [A]
- 20 2.5PNK-WHT • S12a

- 1 1.5WHT-GRN • G99b
- 2 1LTB-BLK ———— 1LTB-BLK • G99a
 1LTB-BLK • C10 [B]
- 3 1RED • G99b
- 4 1LTB ———— 1LTB • G99a
 LTB • C10 [B]
- 5 1WHT • G1 [A]
- 6 1LTB-RED ———— 1.5RED-GRN • G1 [A]
- 7 1WHT-RED • G99b
- 8 1BRN-WHT • C10 [B]
- 9 1ORN ———— 1ORN • G389
- 10 2.5RED-BLK ———— 4RED-BLK • G56 [A]
- 11 2.5RED-BLK
- 12 GRY-RED • C18
- 13 GRY-GRN • C18
- 14 1LTB-YEL • G99b
- 15 1BLK • G99b
- 16 1RED-GRN • G99b
- 17 1GRY-BLK ———— 1GRY-BLK • G308
 1GRY-BLK • C10 [B]
- 18 WHT-YEL ———— 1WHT-RED • G314
 WHT-RED • I100
- (*) 19 WHT-BLK ———— 1WHT-BLK • G314
 WHT-BLK • I99
- (*) 20 2.5PNK-WHT • G99b

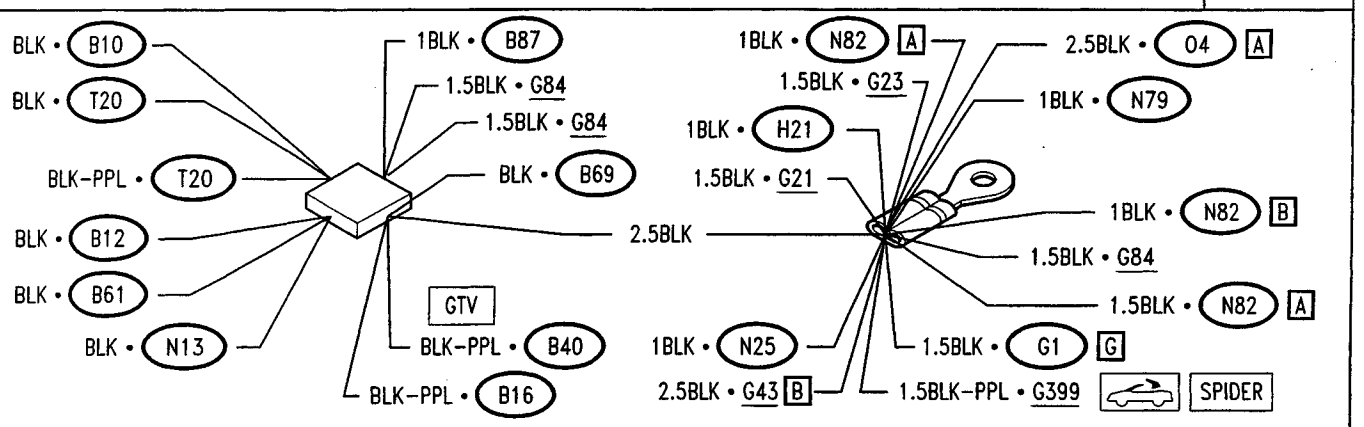
Connector for electronic injection wiring B G133b



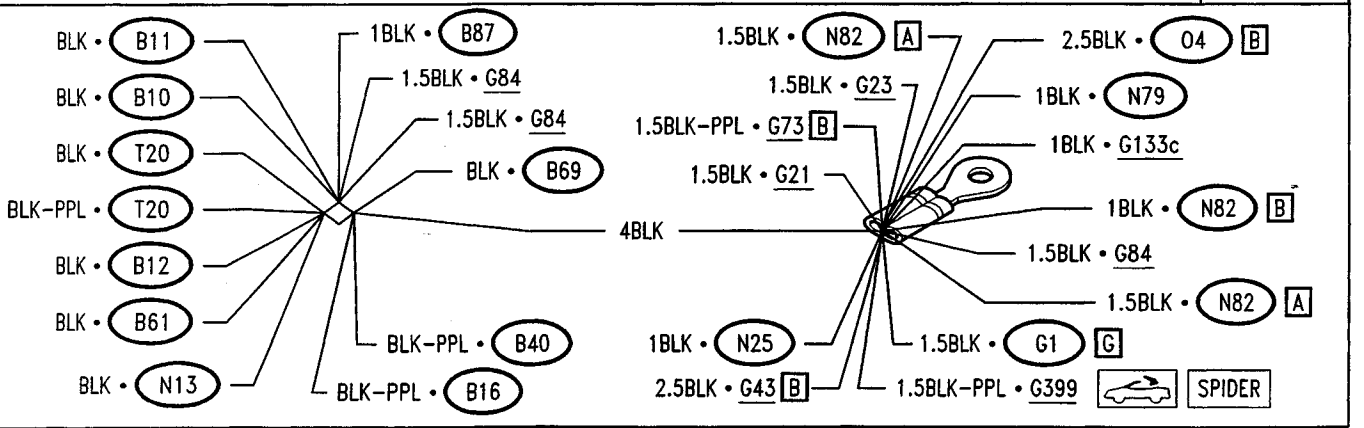
Connector for electronic injection wiring C (*) G133c



Earth under dashboard LH (**) G148b



Earth under dashboard LH (*) G148b



(*) from November '99
PA49720000010

(**) up to November '99

<p>LH seat connection (**)</p>	<p>G155 A</p>	<p>LH seat connection (*)</p>	<p>G155 A</p>
<p>LH seat connection (**)</p>	<p>G155 B</p>	<p>RH seat connection (**)</p>	<p>G156 A</p>
<p>RH seat connection (*)</p>	<p>G156</p>	<p>RH seat connection (**)</p>	<p>G156 B</p>
<p>Connector for electric aerial wiring</p>			<p>G193</p>

(*) from November '99
 PA49720000010

(**) up to November '99

<p>Connector for sun roof</p>	<p>G219</p>	<p>Seat fuse</p>	<p>G240</p>
	<p>GTV</p>		
<p>Connector for engine sensors</p>			<p>G308</p>
			<p>T.SPARK 16v</p>
<p>Connector for engine sensors</p>			<p>G308</p>
			<p>V6</p>
<p>Power window and door lock fuse</p>	<p>G312a</p>	<p>Power window and door lock fuse</p>	<p>G312b</p>

Connector for additional conditioner wiring (**)		G313
		2.0 V6 TB
	<ul style="list-style-type: none"> 2.5WHT • Q22b 2.5BRN • P2b 2.5WHT • Q22a 2.5RED • P2b 2.5RED • P2a 2.5RED • Q22 	
Connector for additional conditioner wiring (*)		G313
		2.0 V6 TB
	<ul style="list-style-type: none"> 2.5BRN • Q22b 6BRN • P2b 2.5BRN • Q22a 8WHT-RED • Q39 6RED • P2a 	
Connector for additional conditioner wiring (**)		G313
		3.0 V6
	<ul style="list-style-type: none"> 6BRN • P2 2.5WHT • Q22 6RED • P2 2.5RED • Q22 	
Connector for additional conditioner wiring (*)		G313
		3.0 V6
	<ul style="list-style-type: none"> 8BRN • P2 4BRN • Q22 8WHT-RED • P2 	

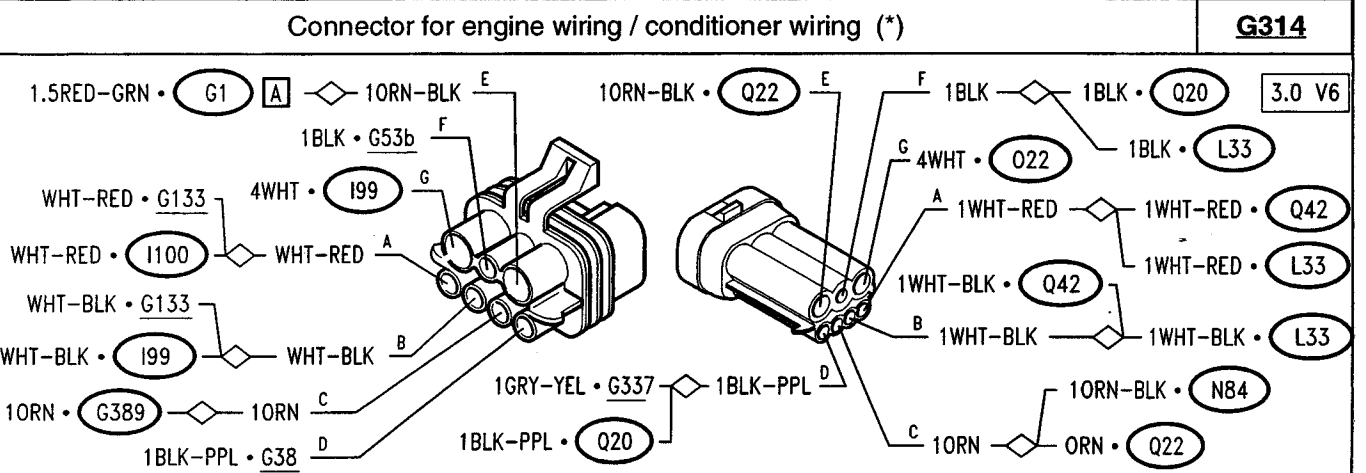
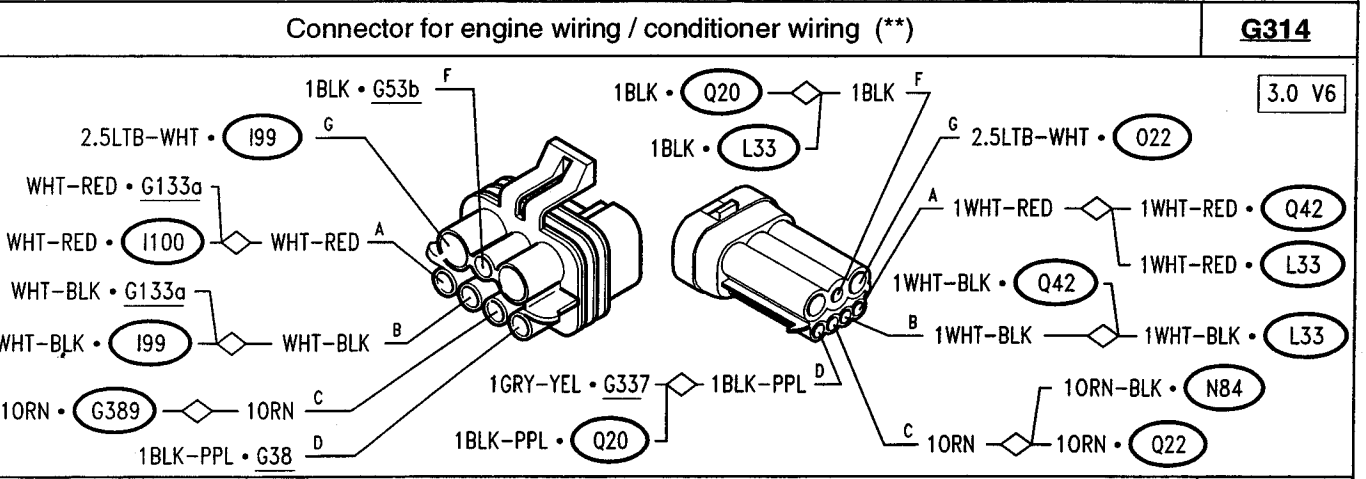
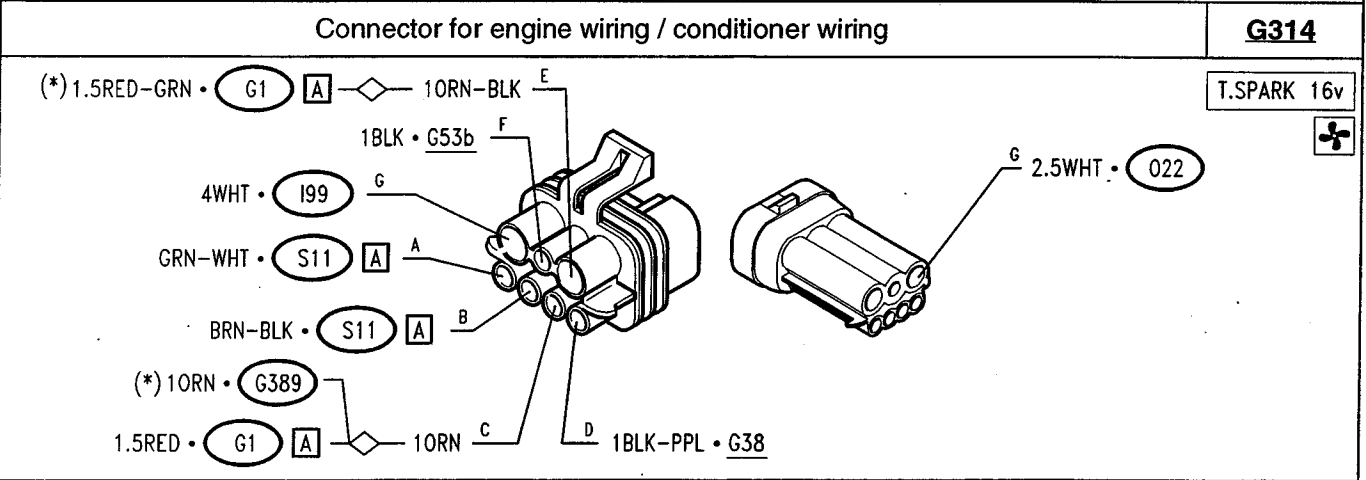
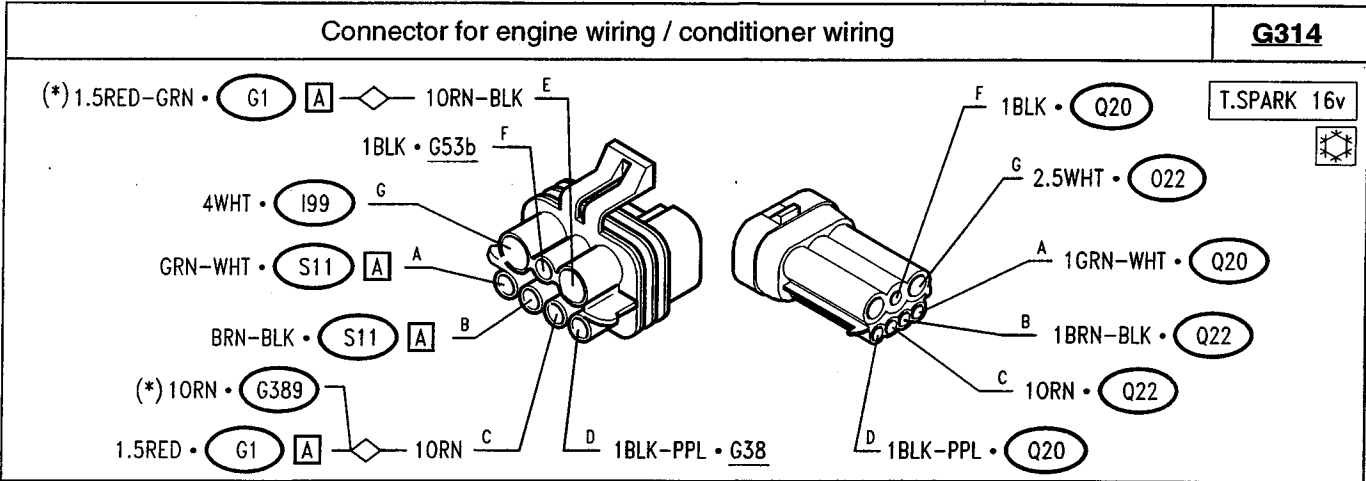
(*) from November '99
 PA49720000010

(**) up to November '99

Connector for additional conditioner wiring (**)		G313
		3.0 V6 24v
Connector for additional conditioner wiring (*)		G313
		3.0 V6 24v
Connector for additional conditioner wiring (**)		G313
		T.SPARK 16v
Connector for additional conditioner wiring (*)		G313
		T.SPARK 16v

(*) from November '99
PA497200000010

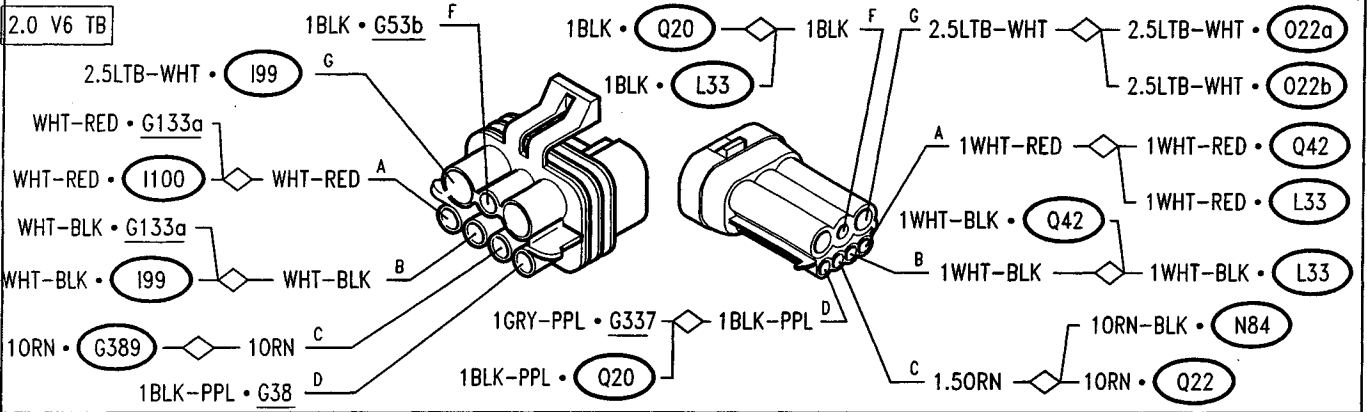
(**) up to November '99



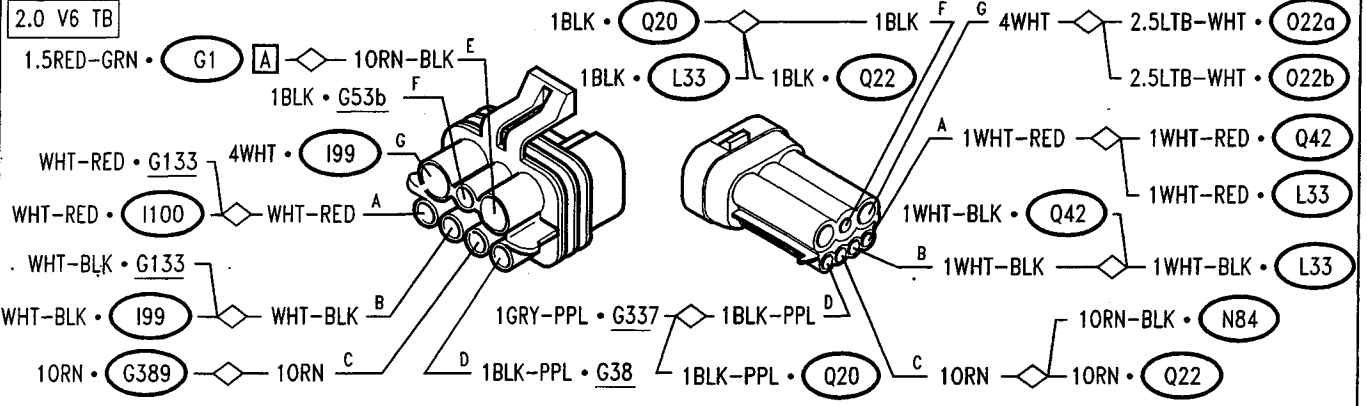
(*) starting from November '99

(**) up to November '99

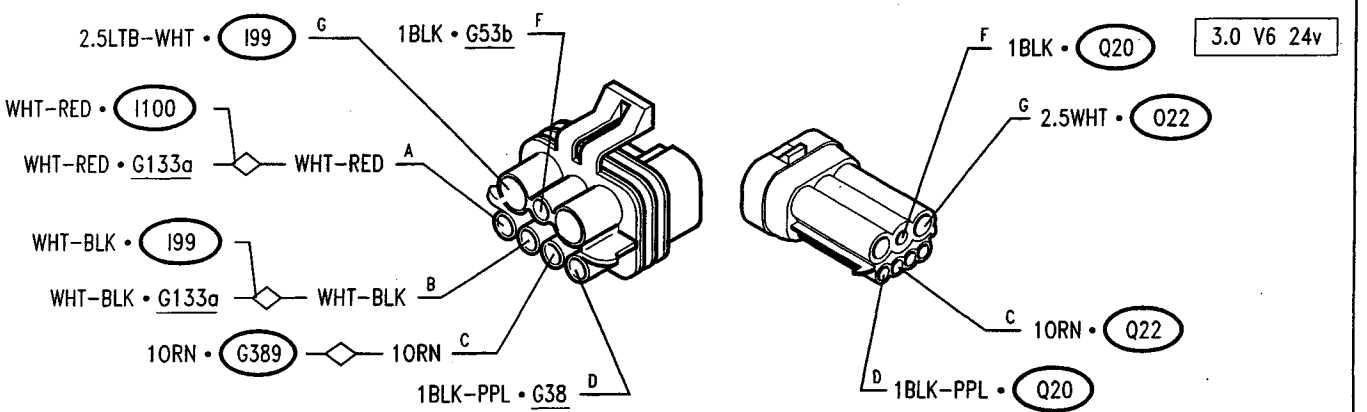
Connector for engine wiring / conditioner wiring ()** **G314**



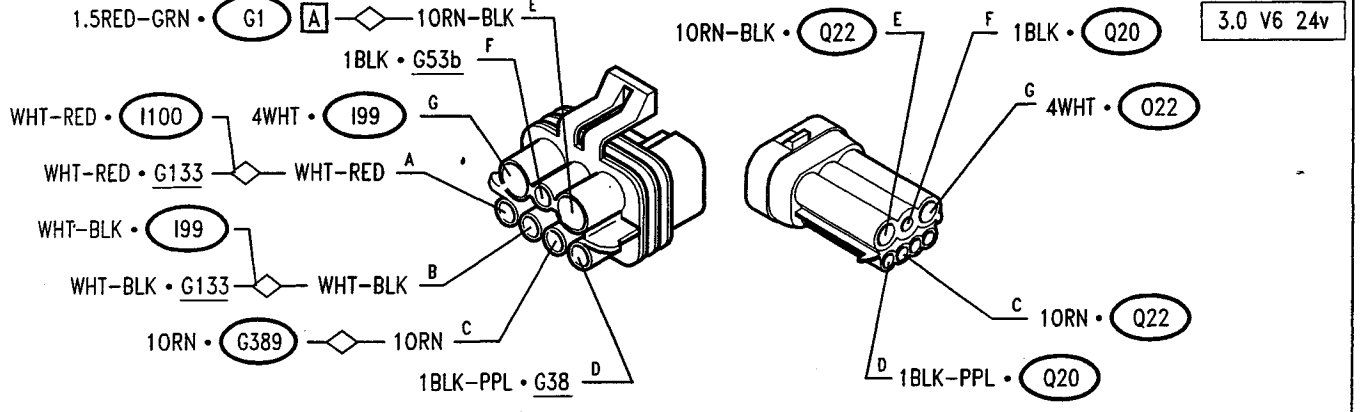
Connector for engine wiring / conditioner wiring (*) **G314**



Connector for engine wiring / conditioner wiring ()** **G314**

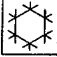
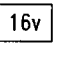




Connector for engine wiring / conditioner wiring (*) **G314**



(*) starting from November '99
 PA49720000010

(**) up to November '99

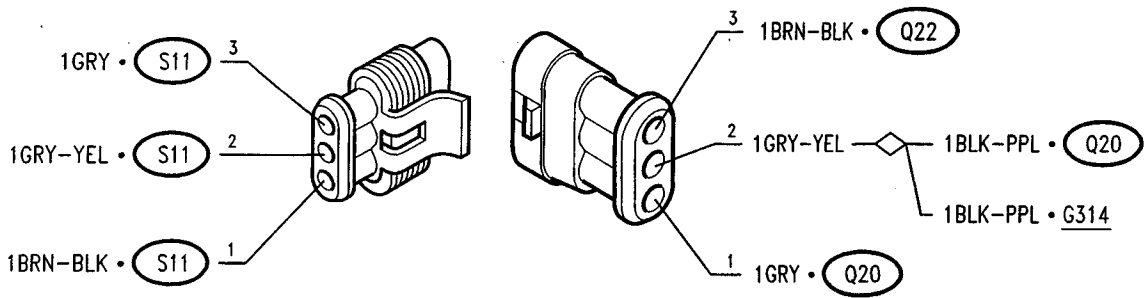
<p style="text-align: center;">Connector for engine wiring / conditioner wiring (**)</p>	<p style="text-align: right;">G314b</p> <div style="text-align: right;">  2.0 V6 TB 3.0 V6 </div>
<p style="text-align: center;">Connector for engine wiring / conditioner wiring</p>	<p style="text-align: right;">G314b</p> <div style="text-align: right;">  T.SPARK 16v </div>
<p style="text-align: center;">Connector for rear loudspeaker cables</p>	<p style="text-align: right;">G320</p> <div style="text-align: right;">  GTV </div>
<p style="text-align: center;">Connector for rear loudspeaker cables</p>	<p style="text-align: right;">G320</p> <div style="text-align: right;">  SPIDER </div>

(*) starting from November '99
PA49720000010

(**) up to November '99

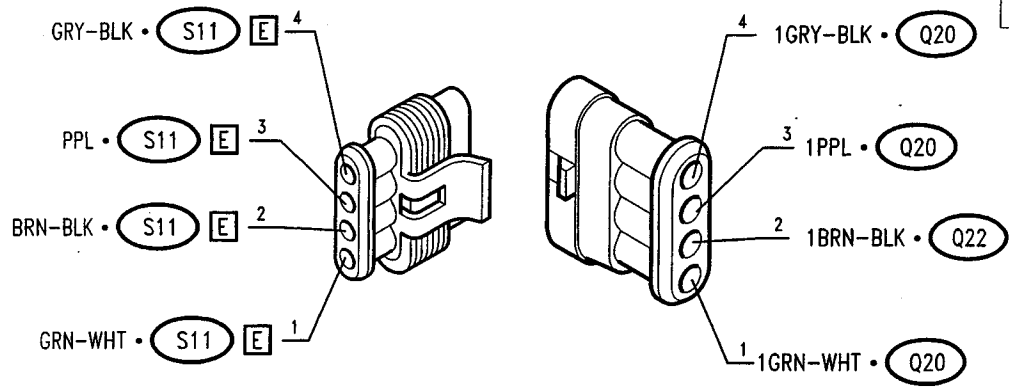
Connector for conditioner syst./injection syst. cables **G337**

3.0 V6



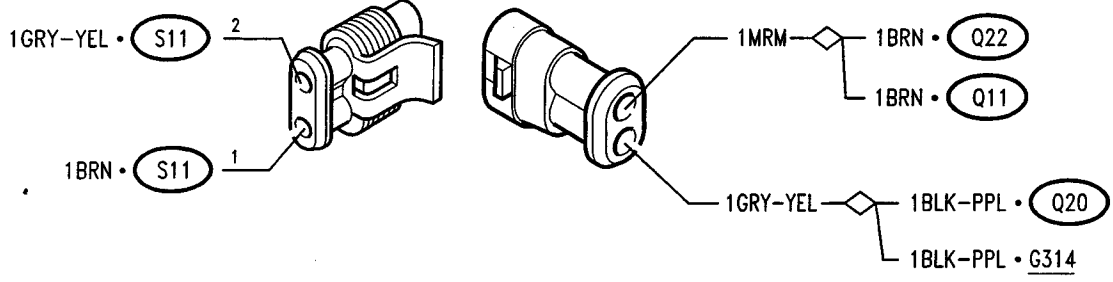
Connector for conditioner syst./injection syst. cables **G337**

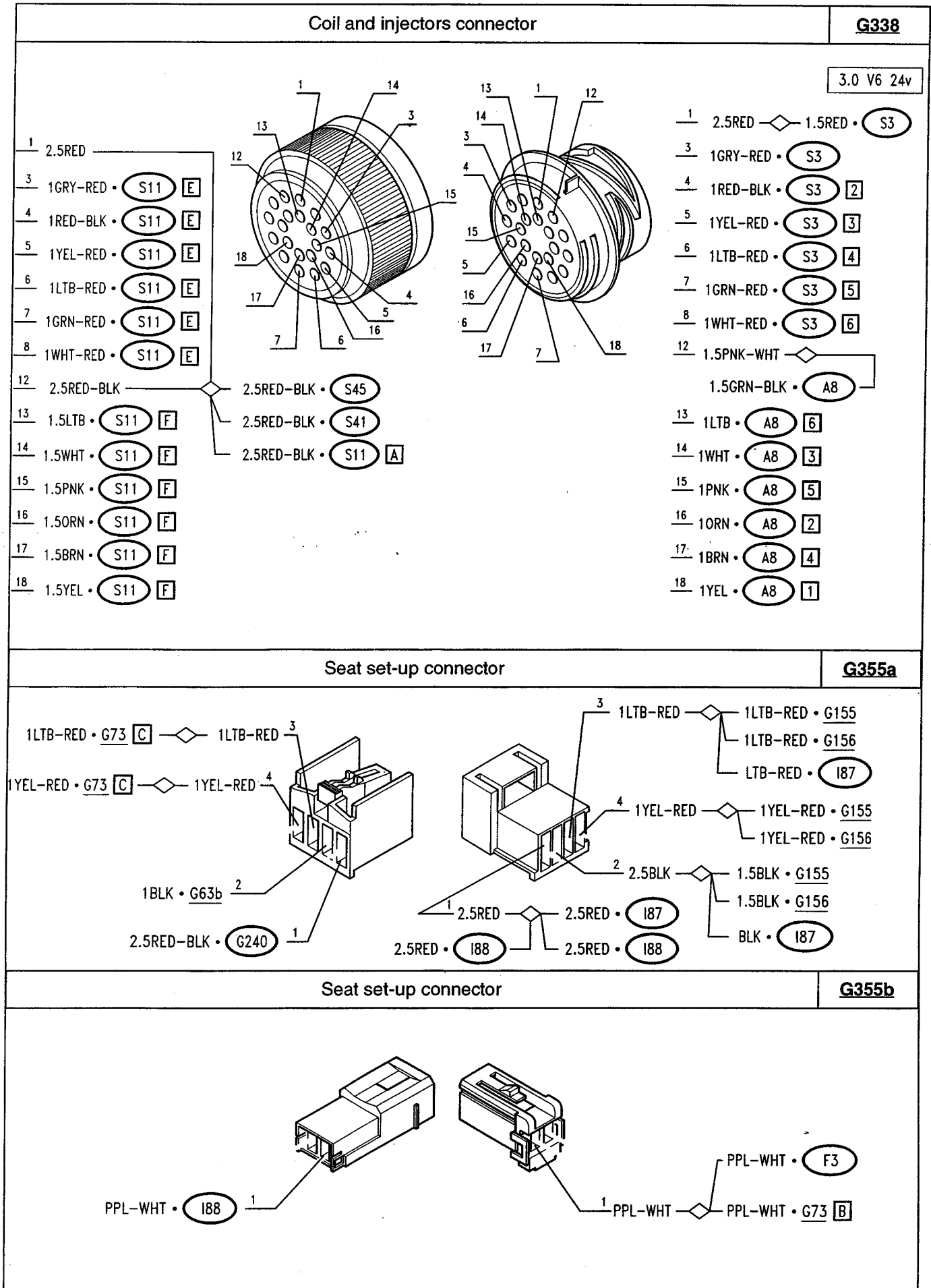
3.0 V6 24v



Connector for conditioner syst./injection syst. cables **G337**

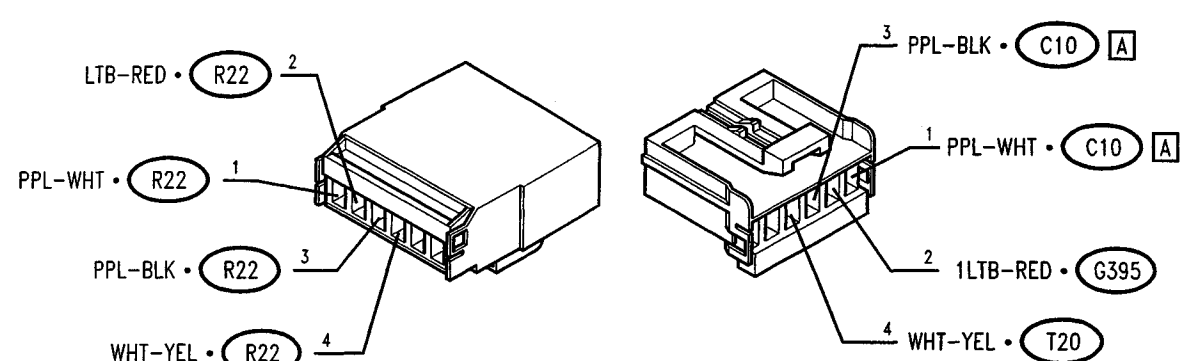
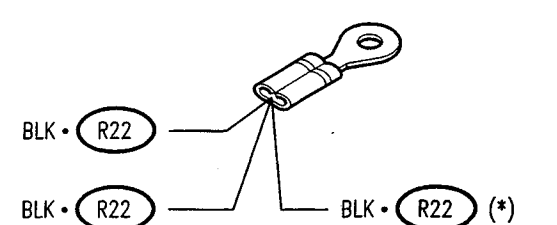
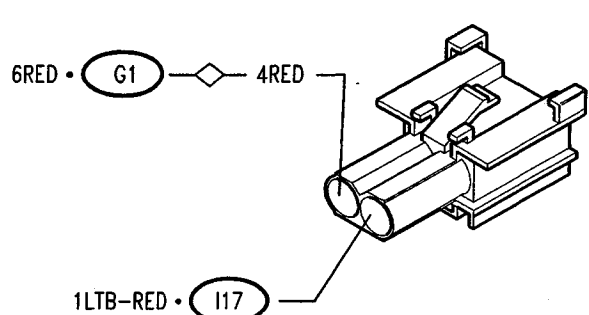
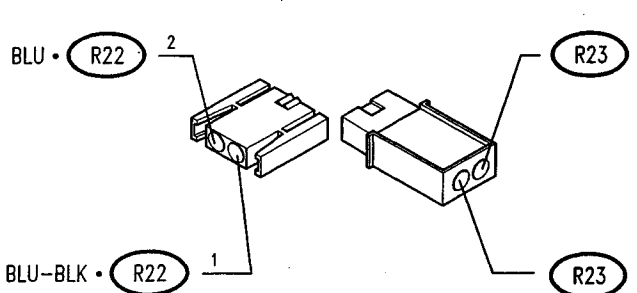
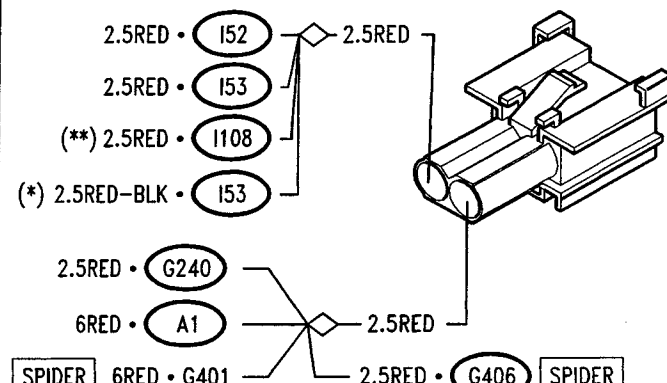
2.0 V6 TB





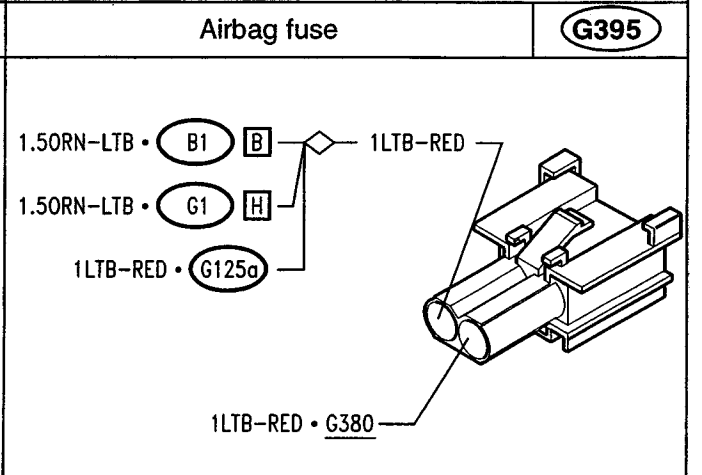
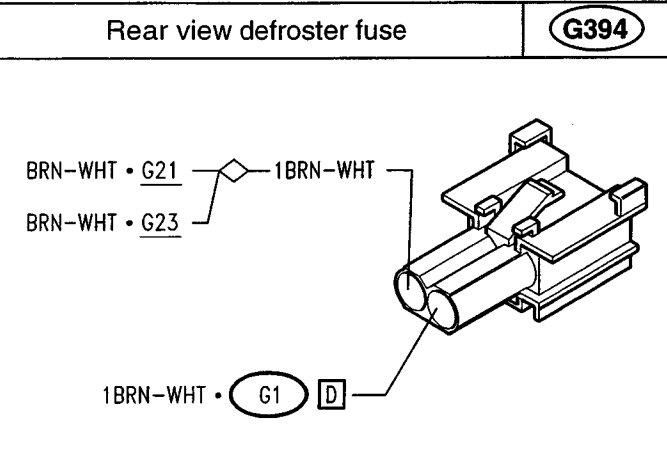
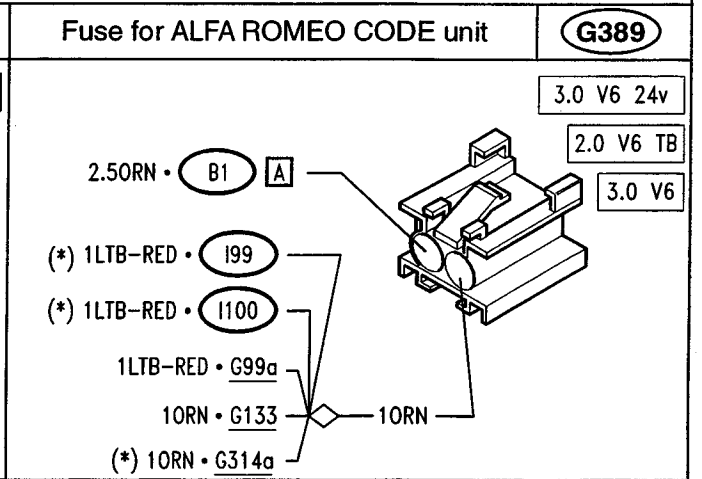
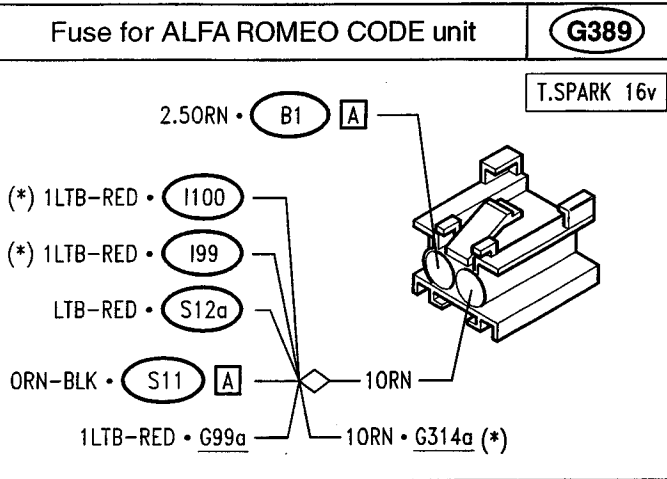
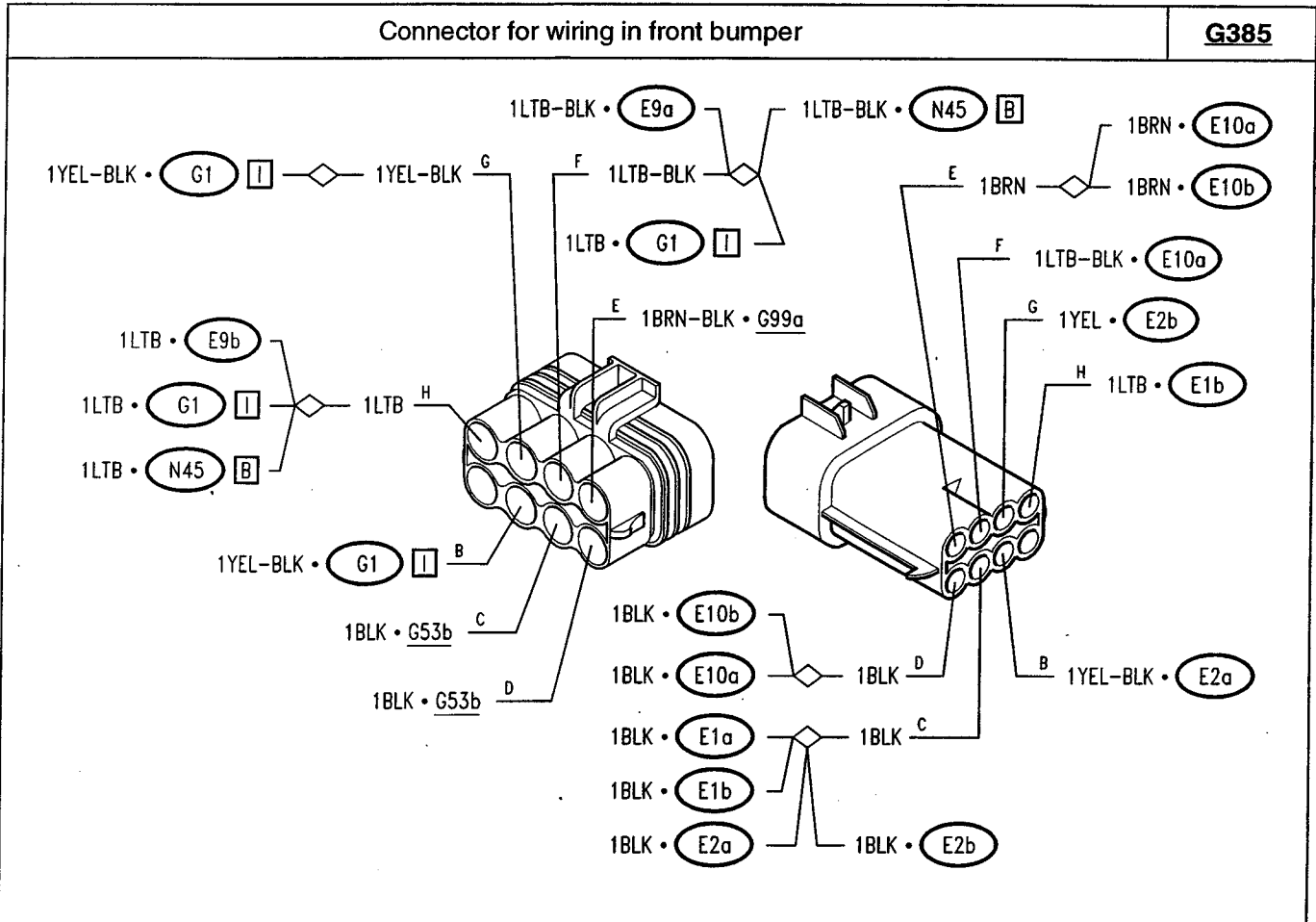
(*) starting from November '99
 PA49720000010

(**) up to November '99

Airbag connector		G380
		
Earth for airbag	G381	Fog light fuse
		
Connector for airbag capsule	G383	Services supply fuse
		

(*) starting from November '99
 PA49720000010

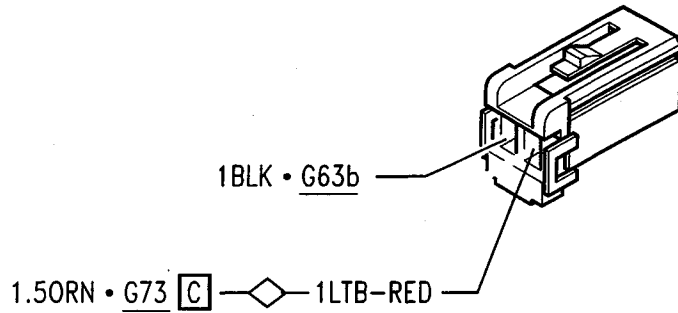
(**) up to November '99



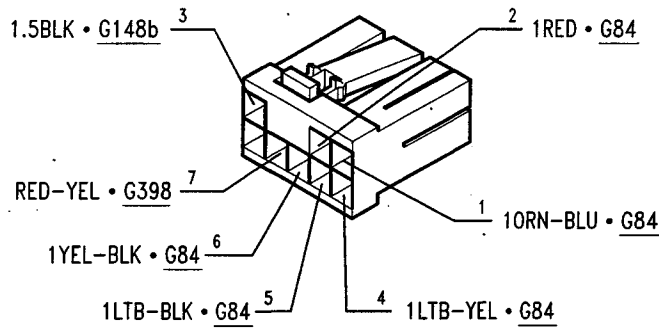
(*) starting from November '99
PA49720000010

(**) up to November '99

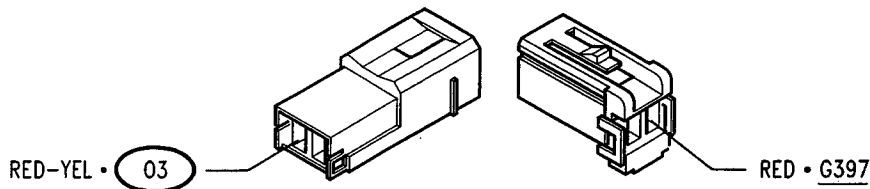
Telepass set-up G396



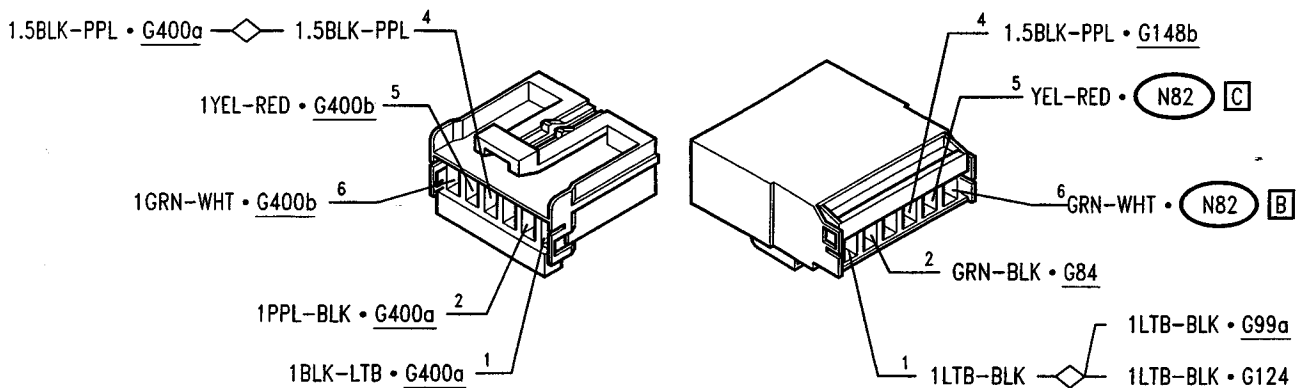
Cellular phone set-up G397



Aerial power connection G398

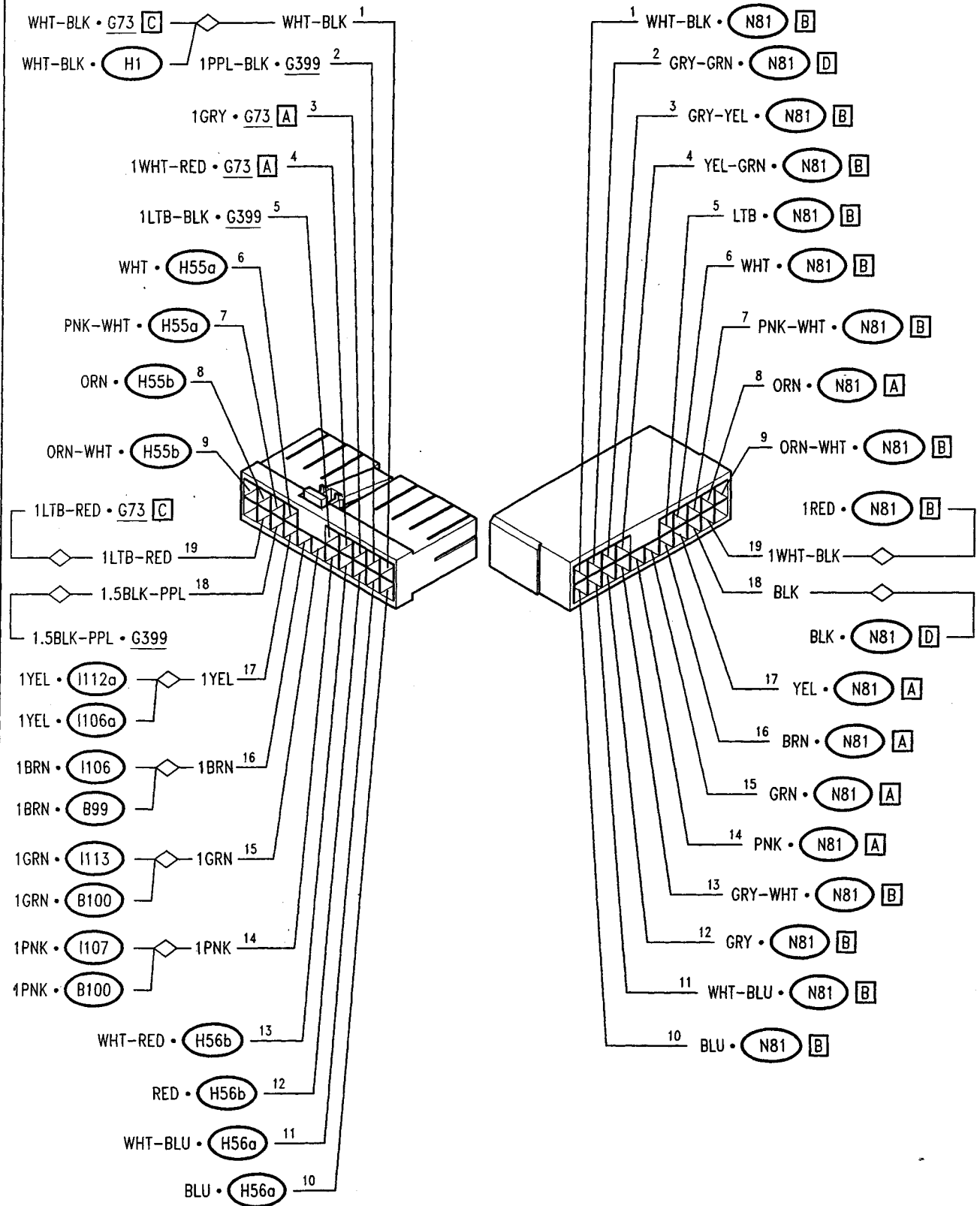


Dashboard connector for automatic hood G399



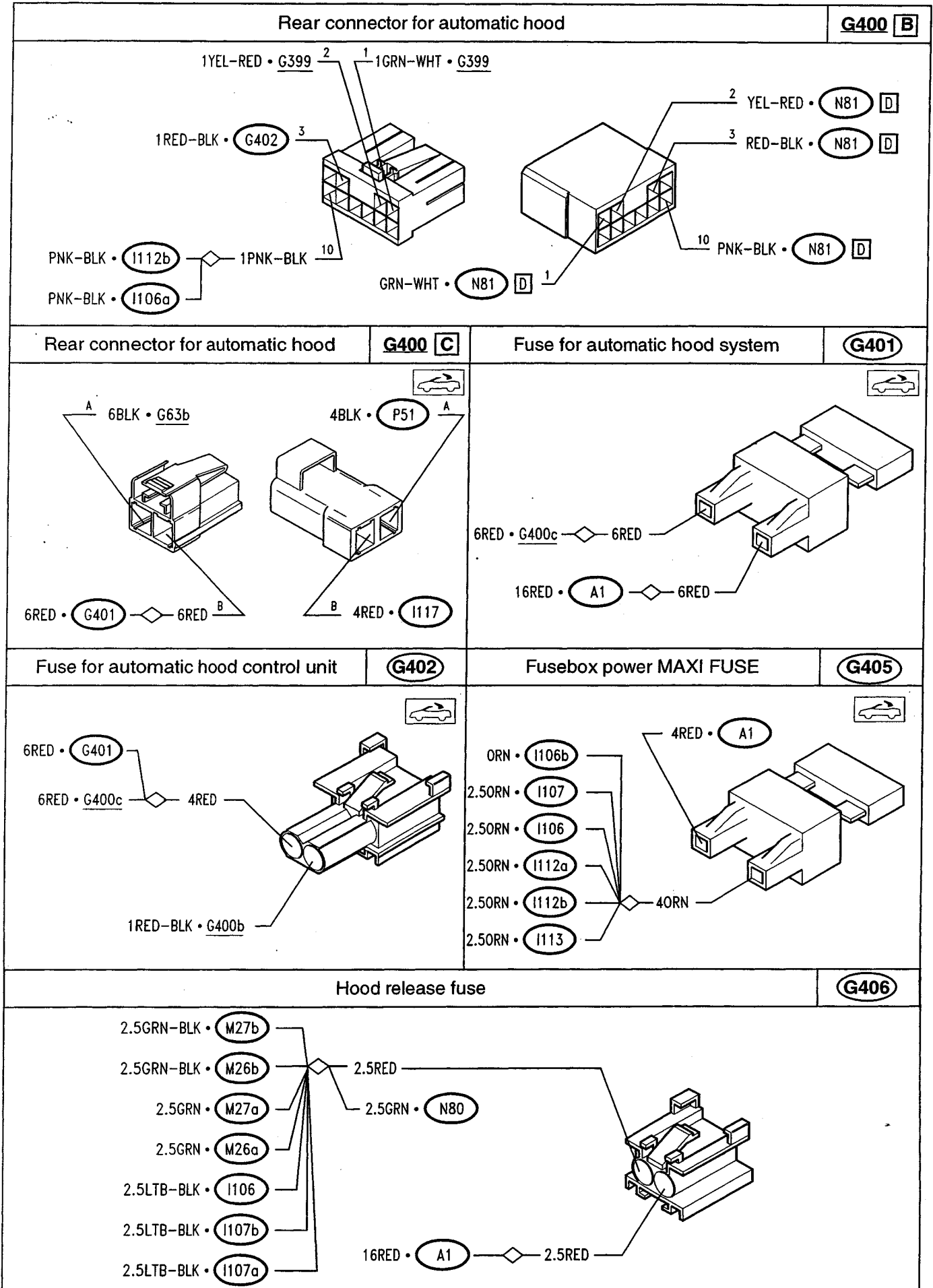
Rear connector for automatic hood

G400 **A**



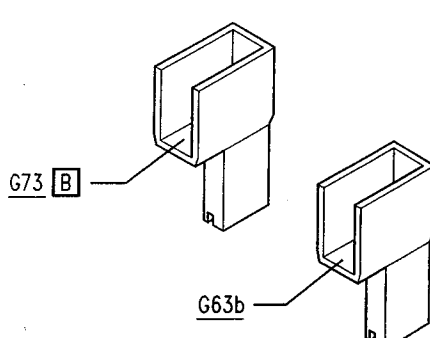
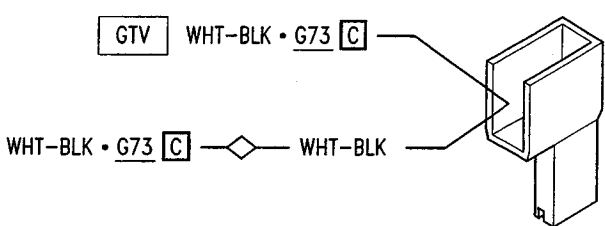
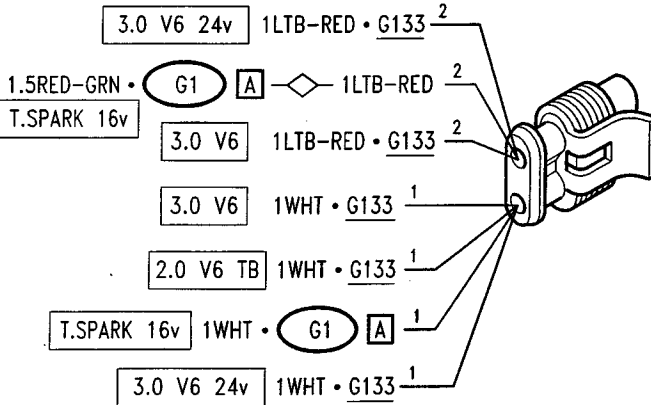
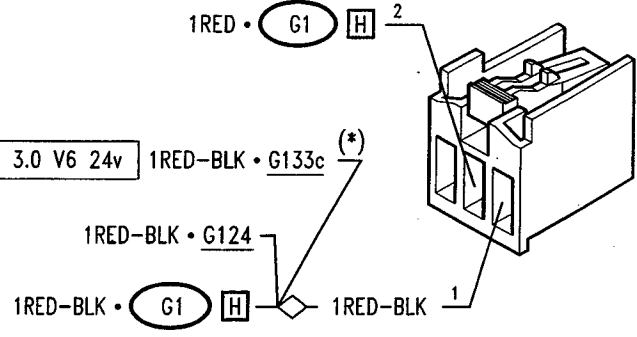
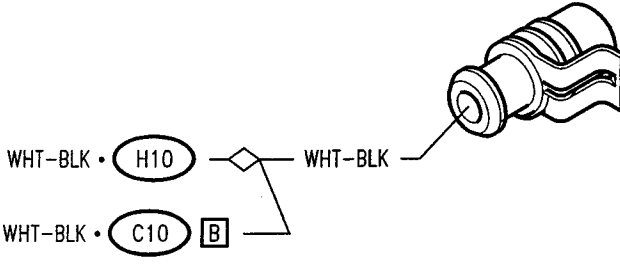
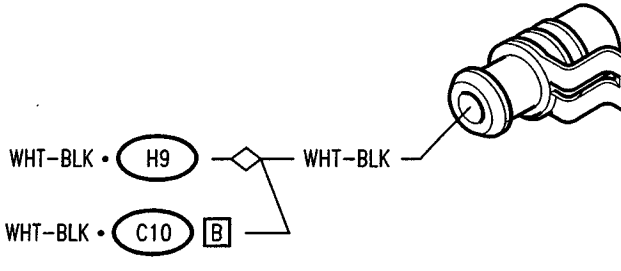
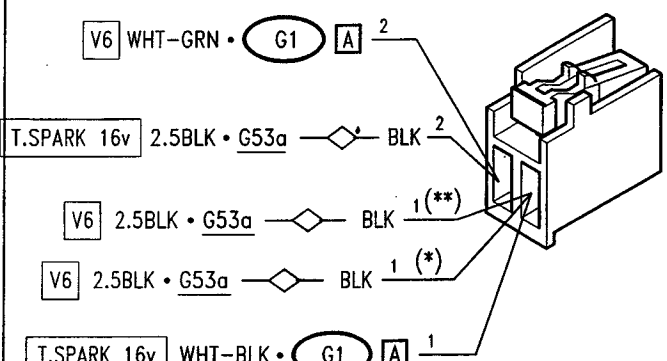
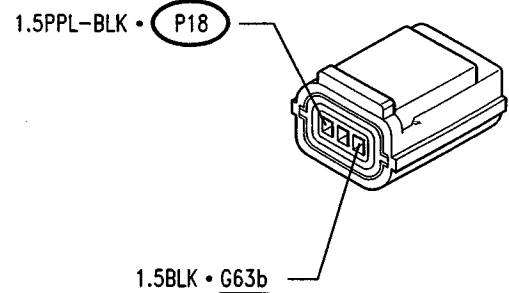
(*) starting from November '99
 PA49720000010

(**) up to November '99



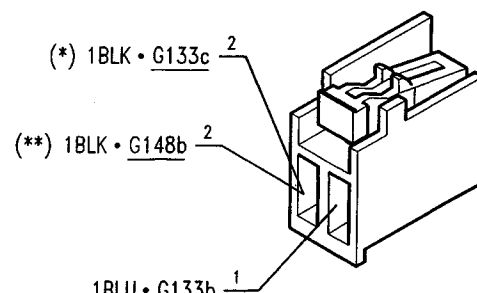
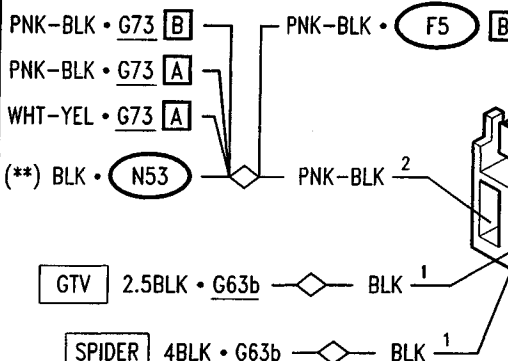
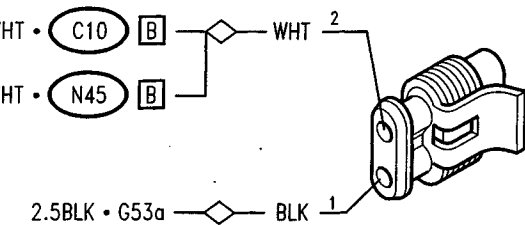
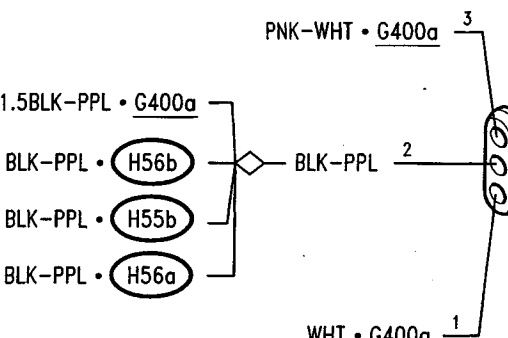
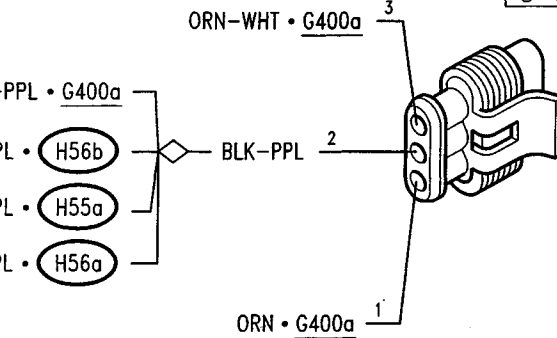
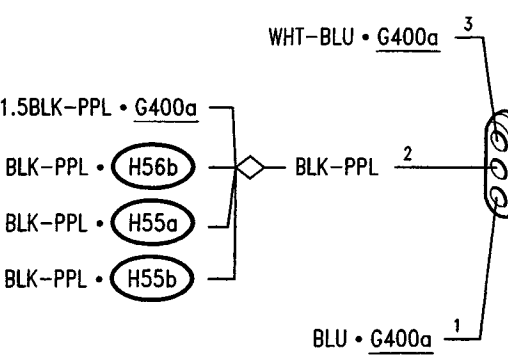
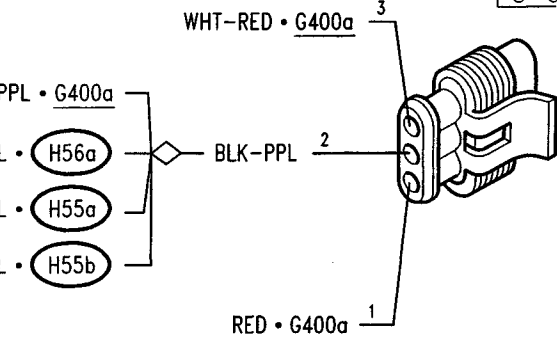
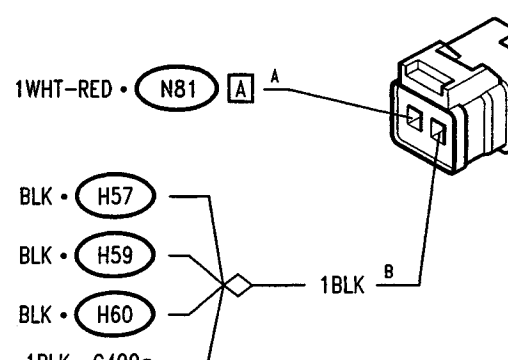
(*) starting from November '99
PA49720000010

(**) up to November '99

<p>Heated rear windscreen coupling for Hard Top</p> <p>G407</p> 	<p>Handbrake switch</p> <p>H1</p> 
<p>Reversing light switch</p> <p>H2</p>  <p>3.0 V6 24v 1LTB-RED • G133 2</p> <p>1.5RED-GRN • G1 A 1LTB-RED 2</p> <p>T.SPARK 16v 3.0 V6 1LTB-RED • G133 2</p> <p>3.0 V6 1WHT • G133 1</p> <p>2.0 V6 TB 1WHT • G133 1</p> <p>T.SPARK 16v 1WHT • G1 A 1</p> <p>3.0 V6 24v 1WHT • G133 1</p>	<p>Stop lights switch</p> <p>H3</p>  <p>1RED • G1 H 2</p> <p>3.0 V6 24v 1RED-BLK • G133c (*)</p> <p>1RED-BLK • G124</p> <p>1RED-BLK • G1 H 1RED-BLK 1</p>
<p>RH front brake pad switch</p> <p>H9</p>  <p>WHT-BLK • H10</p> <p>WHT-BLK • C10 B</p>	<p>LH front brake pad switch</p> <p>H10</p>  <p>WHT-BLK • H9</p> <p>WHT-BLK • C10 B</p>
<p>Brake fluid minimum level switch</p> <p>H17</p>  <p>V6 WHT-GRN • G1 A 2</p> <p>T.SPARK 16v 2.5BLK • G53a BLK 2</p> <p>V6 2.5BLK • G53a BLK 1(**)</p> <p>V6 2.5BLK • G53a BLK 1(*)</p> <p>T.SPARK 16v WHT-BLK • G1 A 1</p>	<p>Inertial switch</p> <p>H20</p>  <p>1.5PPL-BLK • P18</p> <p>1.5BLK • G63b</p>

(*) starting from November '99

(**) up to November '99

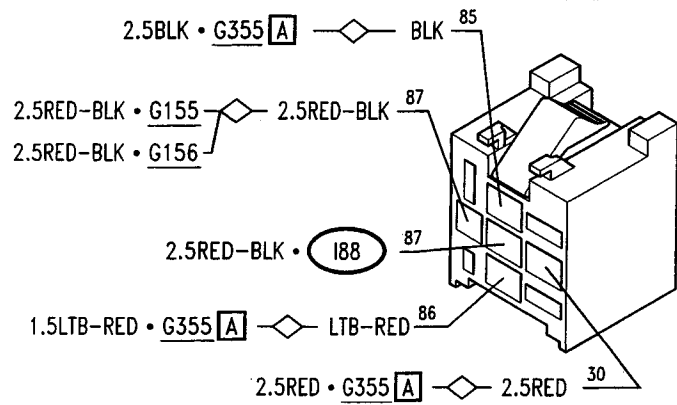
<p>Clutch pedal switch</p>	<p>H21</p>	<p>Luggage compartment light switch</p>	<p>H24</p>
<p>3.0 V6 24v</p>  <p>(*) 1BLK • G133c 2 (**) 1BLK • G148b 2 1BLU • G133b 1</p>		 <p>PNK-BLK • G73 B PNK-BLK • G73 A WHT-YEL • G73 A (**) BLK • N53 PNK-BLK 2 GTV 2.5BLK • G63b BLK 1 SPIDER 4BLK • G63b BLK 1</p>	
<p>Bonnet anti-theft device switch</p>	<p>H44</p>	<p>RH hood closing switch</p>	<p>H55a</p>
 <p>WHT • C10 B WHT • N45 B 2.5BLK • G53a BLK 1</p>		 <p>PNK-WHT • G400a 3 1.5BLK-PPL • G400a BLK-PPL • H56b BLK-PPL • H55b BLK-PPL • H56a BLK-PPL 2 WHT • G400a 1</p>	
<p>LH hood closing switch</p>	<p>H55b</p>	<p>RH hood cover closing switch</p>	<p>H56a</p>
 <p>ORN-WHT • G400a 3 1.5BLK-PPL • G400a BLK-PPL • H56b BLK-PPL • H55a BLK-PPL • H56a BLK-PPL 2 ORN • G400a 1</p>		 <p>WHT-BLU • G400a 3 1.5BLK-PPL • G400a BLK-PPL • H56b BLK-PPL • H55a BLK-PPL • H55b BLK-PPL 2 BLU • G400a 1</p>	
<p>LH hood cover closing switch</p>	<p>H56b</p>	<p>Intermediate "5th arc" switch</p>	<p>H58</p>
 <p>WHT-RED • G400a 3 1.5BLK-PPL • G400a BLK-PPL • H56a BLK-PPL • H55a BLK-PPL • H55b BLK-PPL 2 RED • G400a 1</p>		 <p>1WHT-RED • N81 A BLK • H57 BLK • H59 BLK • H60 1BLK • G400a B</p>	

<p>Hood position switch</p> <p>H60</p>	<p>Climate control enable switch</p> <p>H61</p>
<p>Fog light relay</p> <p>I17</p>	<p>Luggage compartment opening relay (**)</p> <p>I52</p> <p>GTV</p>
<p>Luggage compartment opening relay (*)</p> <p>I52</p>	
<p>Fuel flap opening relay (**)</p> <p>I53</p> <p>GTV</p>	<p>Fuel flap opening relay (*)</p> <p>I53</p>

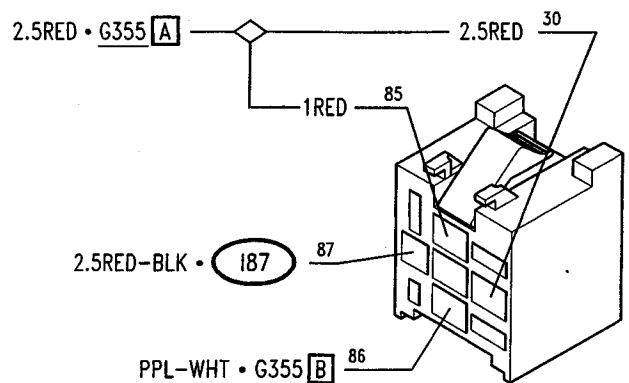
(*) starting from November '99
 PA49720000010

(**) up to November '99

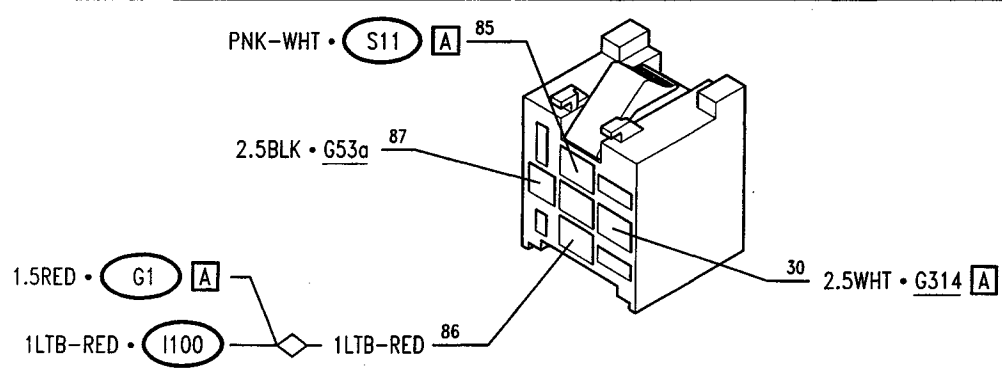
Seats relay 187



Seat timer relay 188

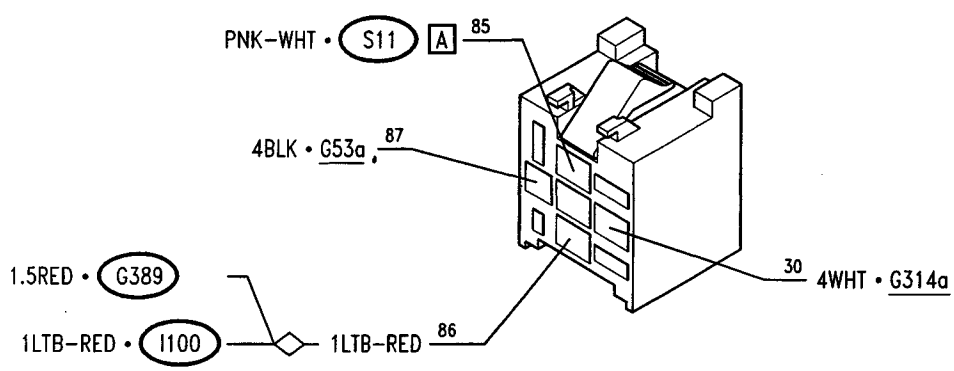


Engine cooling fan 1st speed relay (**)



T.SPARK 16v

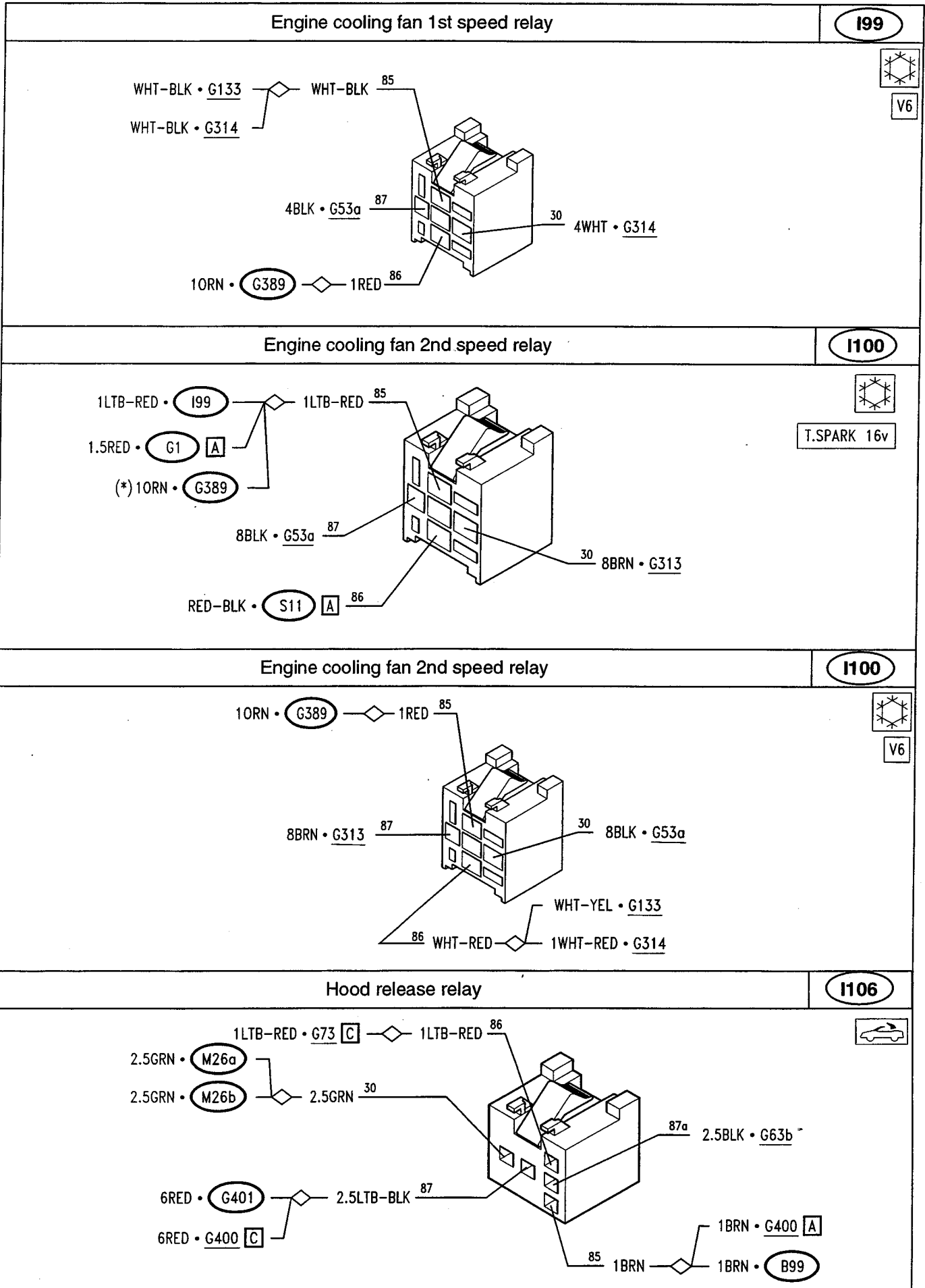
Engine cooling fan 1st speed relay (*) 199



T.SPARK 16v

(*) starting from November '99
PA49720000010

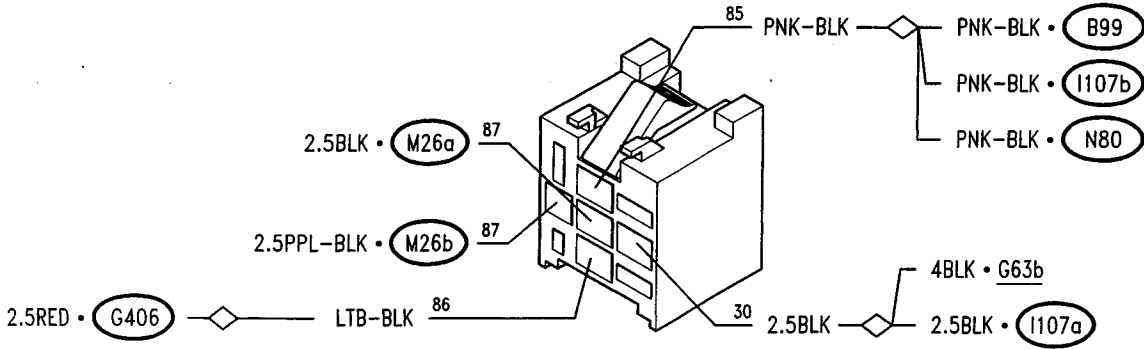
(**) up to November '99



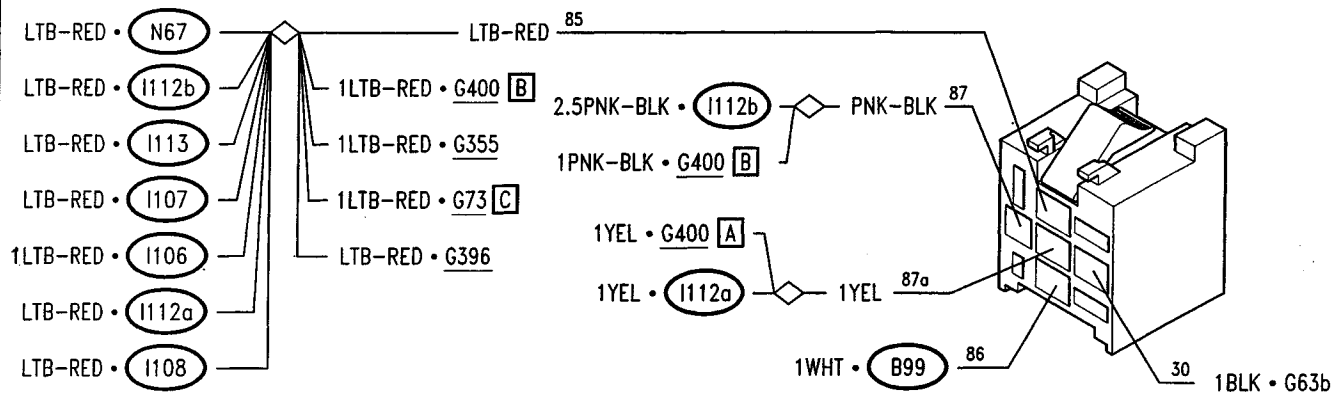
(*) starting from November '99
PA49720000010

(**) up to November '99

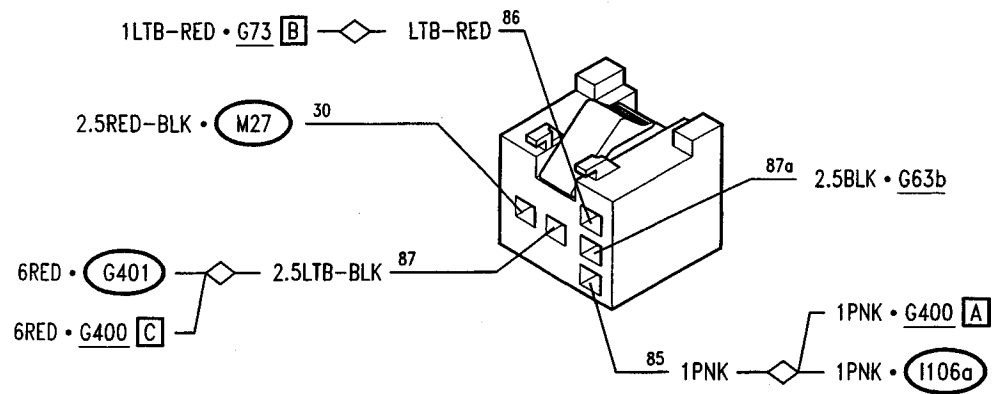
Hood release relay I106



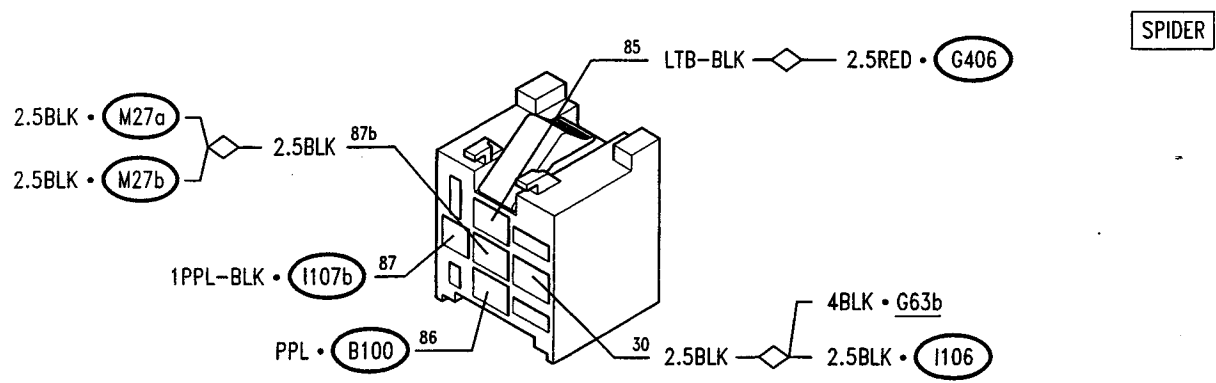
Hood emergency release relay I106a



Hood cover release relay I107

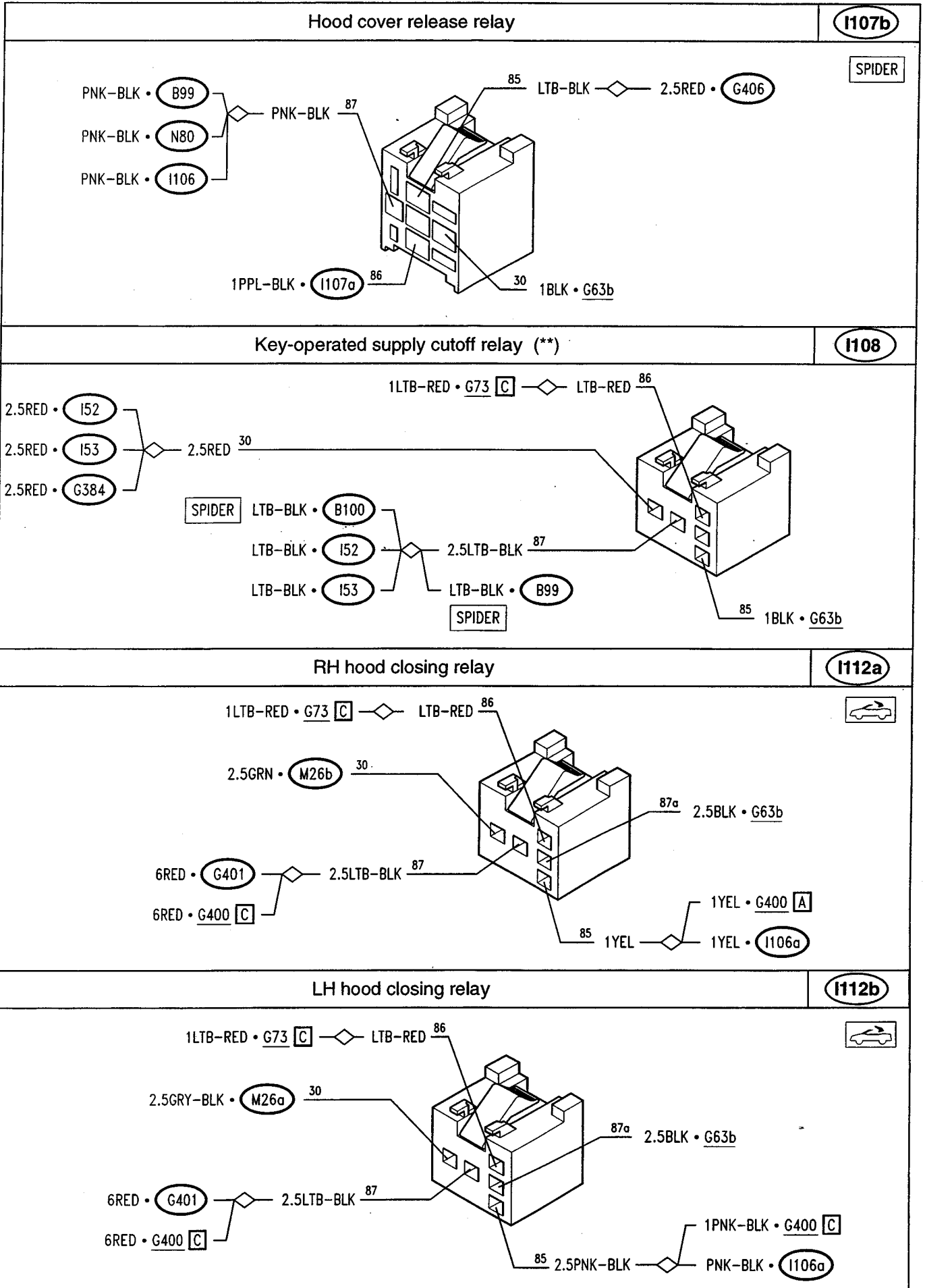


Hood cover release relay I107a



(*) starting from November '99
PA49720000010

(**) up to November '99



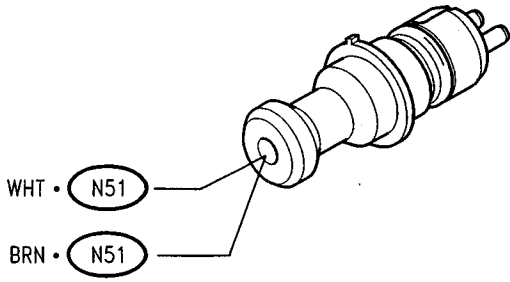
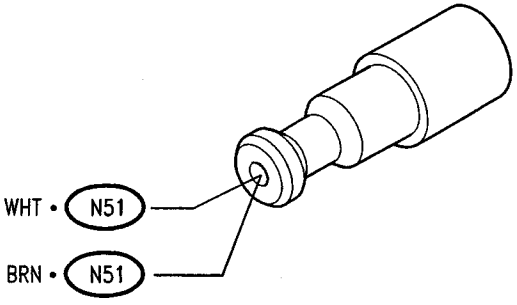
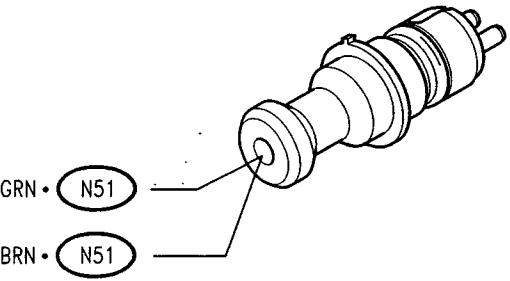
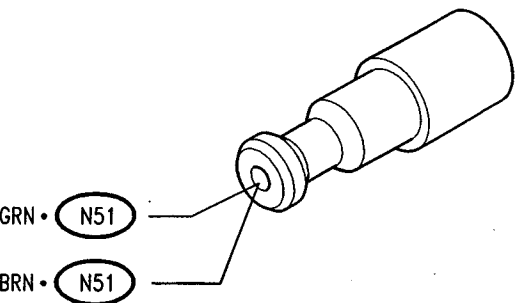
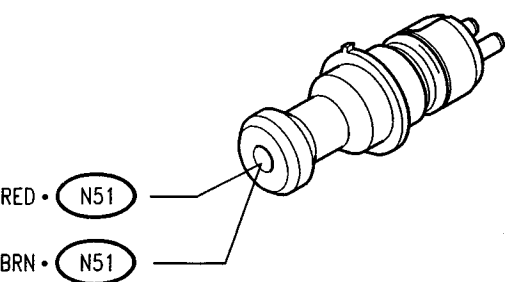
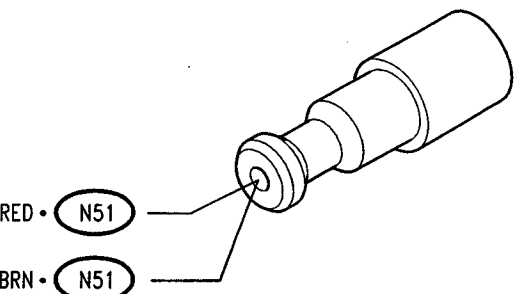
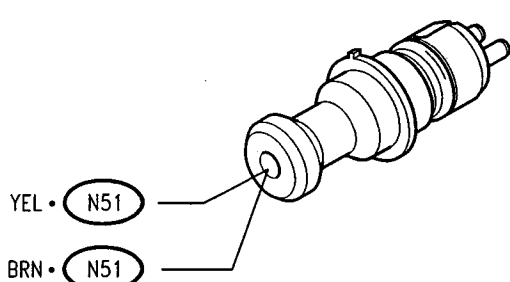
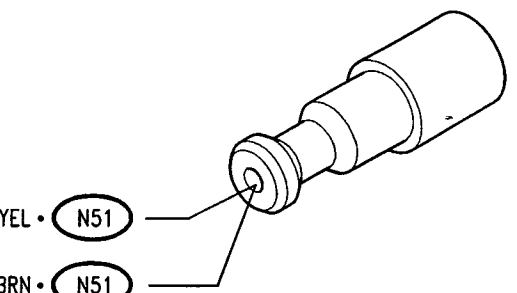
(*) starting from November '99
PA49720000010

(**) up to November '99

<p>Hood cover closing relay (I113)</p>	
<p>Automatic hood electric pump relay (I117)</p>	<p>Minimum engine oil pressure (L2)</p>
<p>Engine coolant temperature transmitter (L7)</p>	<p>Engine coolant temperature transmitter (L7)</p>
<p>Sender for engine coolant temperature gauge and max. temperature warning light contact (L10)</p>	<p>Pierbourg valve (L21)</p>

(*) starting from November '99

(**) up to November '99

RH front phonic wheel inductive sensor (**)	L28	RH front phonic wheel inductive sensor (*)	L28
			
LH front phonic wheel inductive sensor (**)	L29	LH front phonic wheel inductive sensor (*)	L29
			
RH rear phonic wheel inductive sensor (**)	L30	RH rear phonic wheel inductive sensor (*)	L30
			
LH rear phonic wheel inductive sensor (**)	L31	LH rear phonic wheel inductive sensor (*)	L31
			

(*) starting from November '99
 PA49720000010

(**) up to November '99

Two-level thermal contact	L33	E.G.R. solenoid valve	L46
<p>2.0 V6 TB 3.0 V6</p>		<p>3.0 V6</p>	
Accelerator pedal potentiometer	L49	Luggage compartment opening actuator electromagnet	M12
<p>3.0 V6 24v</p>			
Fuel flap opening actuator electromagnet	M13	Evaporation solenoid valve	M15
		<p>T.SPARK 16v</p>	
Evaporation solenoid valve	M15	Evaporation solenoid valve	M15
<p>2.0 V6 TB</p>		<p>3.0 V6 24v 3.0 V6 3.0 V6 24v 3.0 V6 3.0 V6 24v</p>	

(*) starting from November '99
PA49720000010

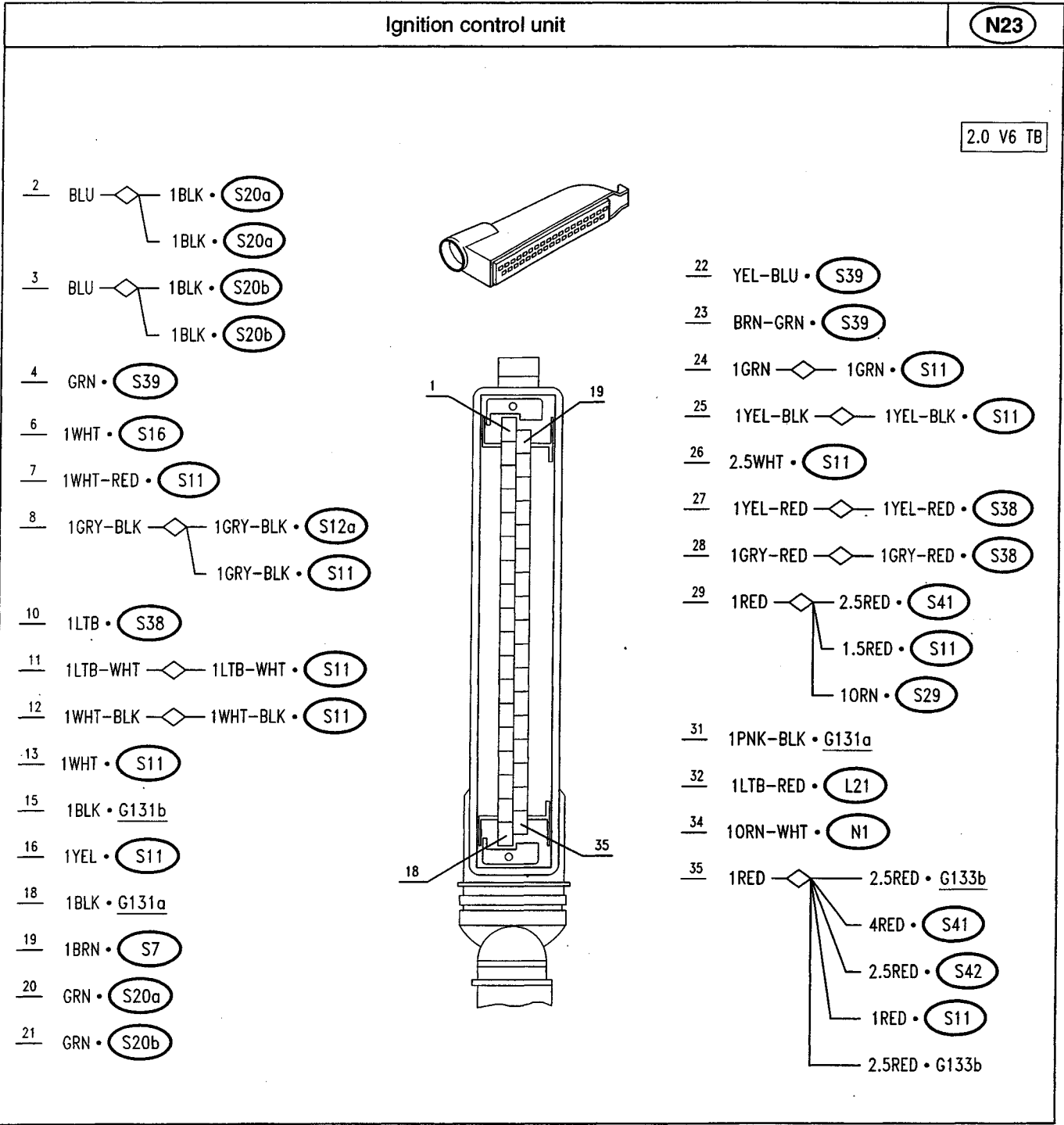
(**) up to November '99

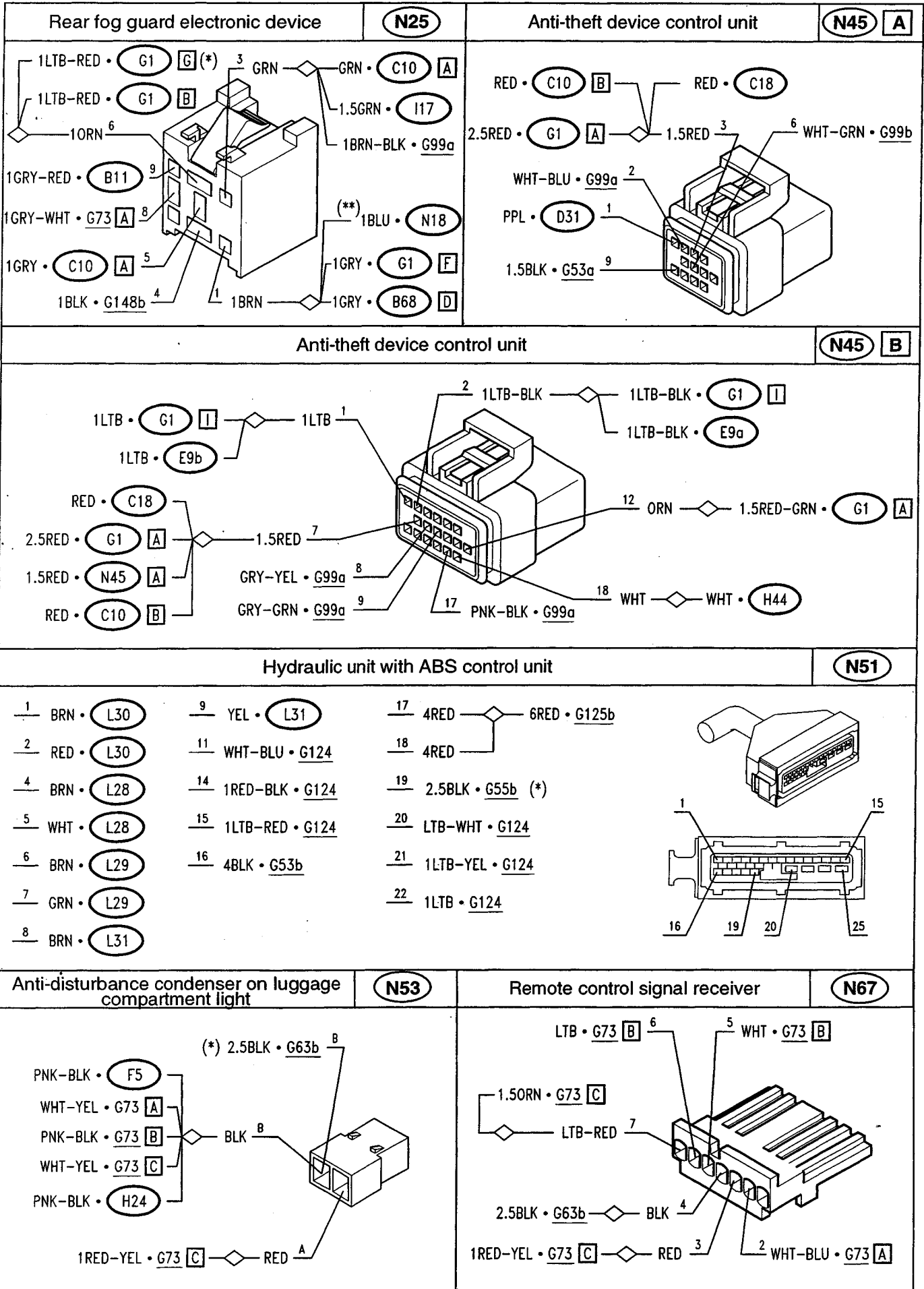
LH hood release actuator electromagnet	M26a	LH hood release actuator electromagnet	M26a
<p>SPIDER</p>			
RH hood release actuator electromagnet	M26b	RH hood release actuator electromagnet	M26b
<p>SPIDER</p>			
Hood cover release actuator electromagnet	M27	LH hood cover release actuator electromagnet	M27a
		<p>SPIDER</p>	
RH hood cover release actuator electromagnet	M27b	Automatic hood solenoid valve	M28 A
<p>SPIDER</p>			

<p>Automatic hood solenoid valve M28 B</p>	<p>Automatic hood solenoid valve M28 C</p>
<p>Automatic hood solenoid valve M28 D</p>	<p>Automatic hood solenoid valve M28 E</p>
<p>Automatic hood solenoid valve M28 F</p>	<p>Power module N1</p> <p>2.0 V6 TB</p>
<p>Hazard warning lights and direction indicators intermittence N13</p>	<p>Electronic windscreen wiper intermittence N14</p>

(*) starting from November '99
 PA49720000010

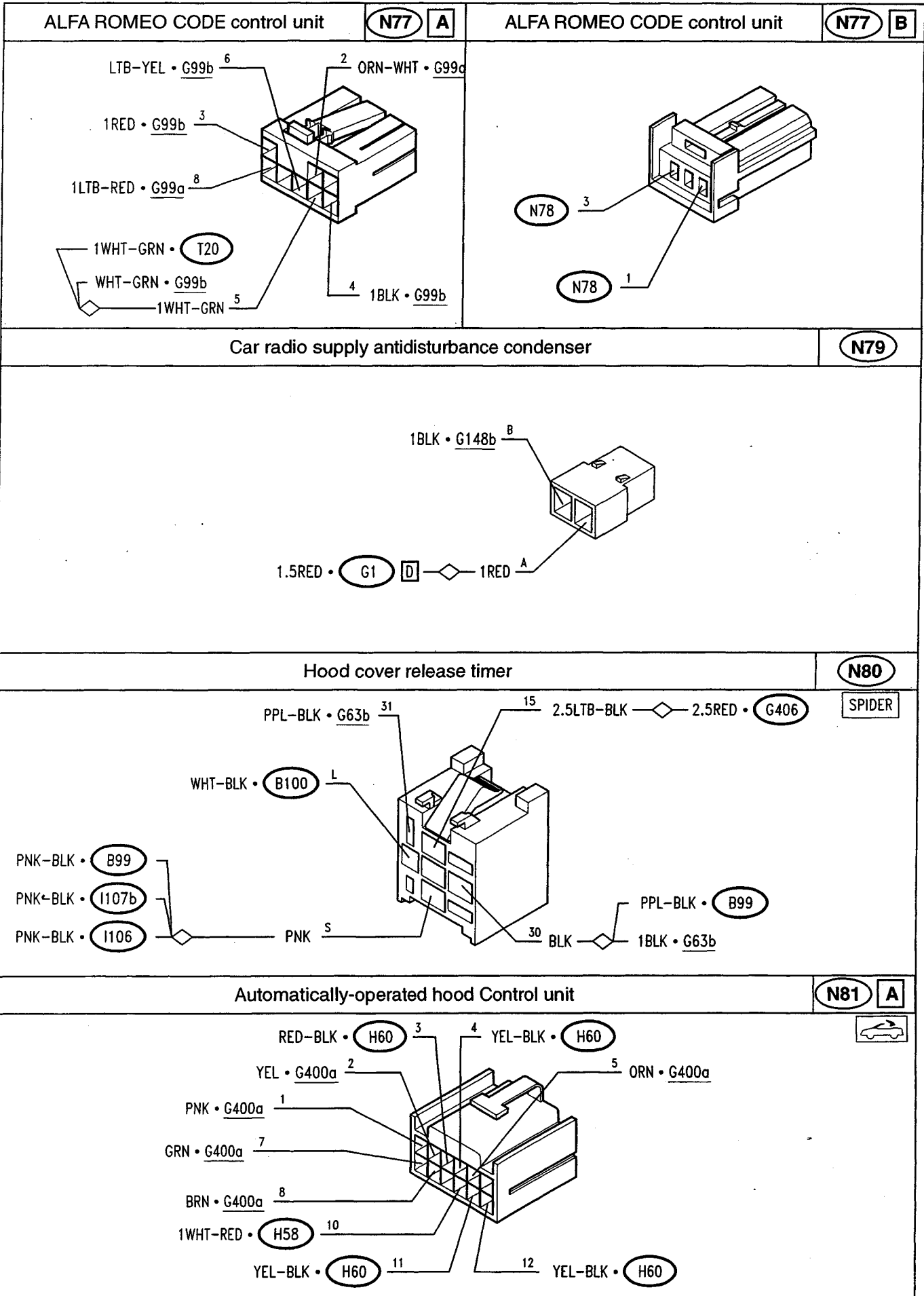
(**) up to November '99





(*) starting from November '99
 PA49720000010

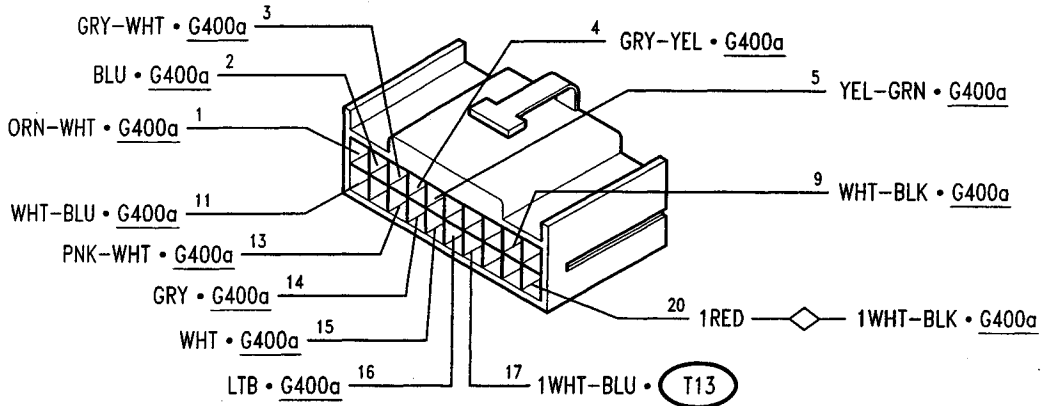
(**) up to November '99



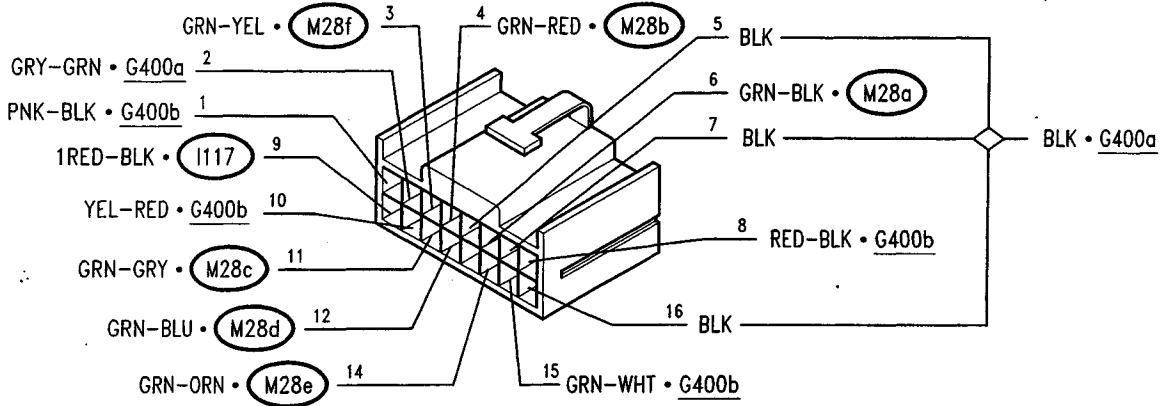
(*) starting from November '99
PA49720000010

(**) up to November '99

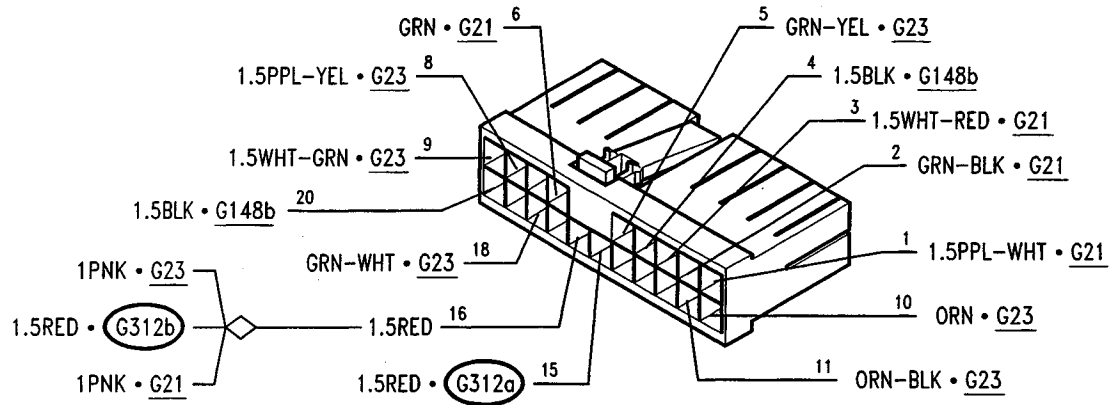
Automatically-operated hood Control unit (N81) B



Automatically-operated hood Control unit (N81) D

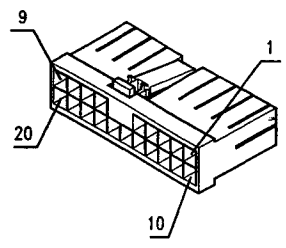


Integrated services control unit ()** (N82) A



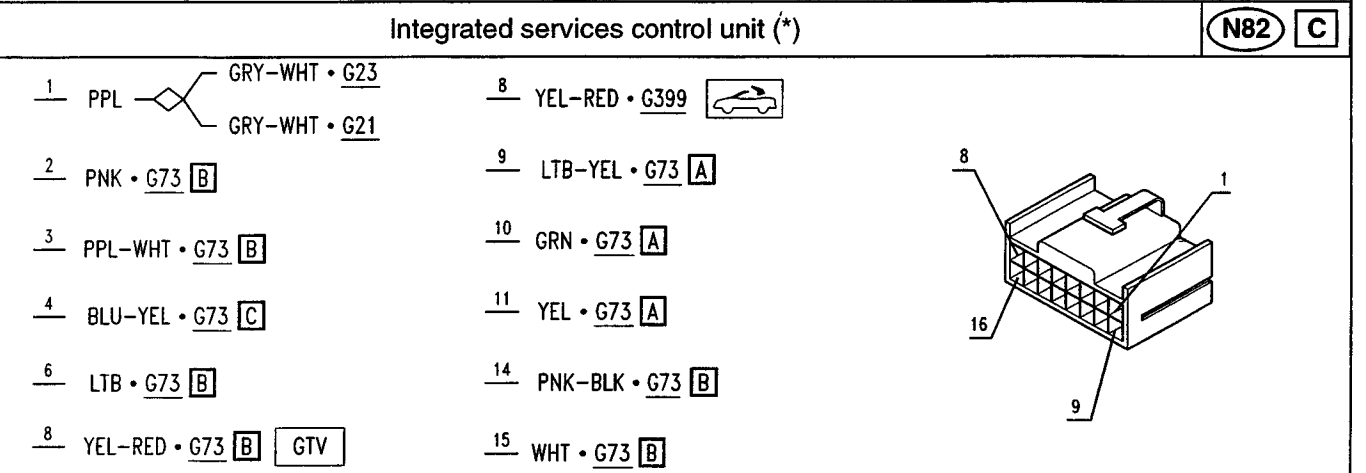
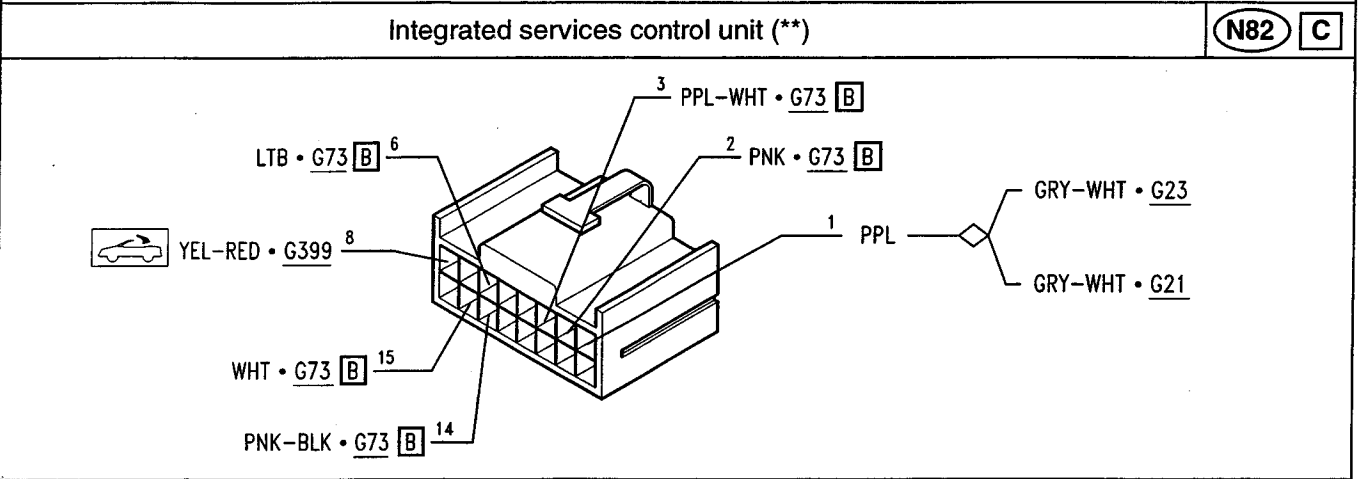
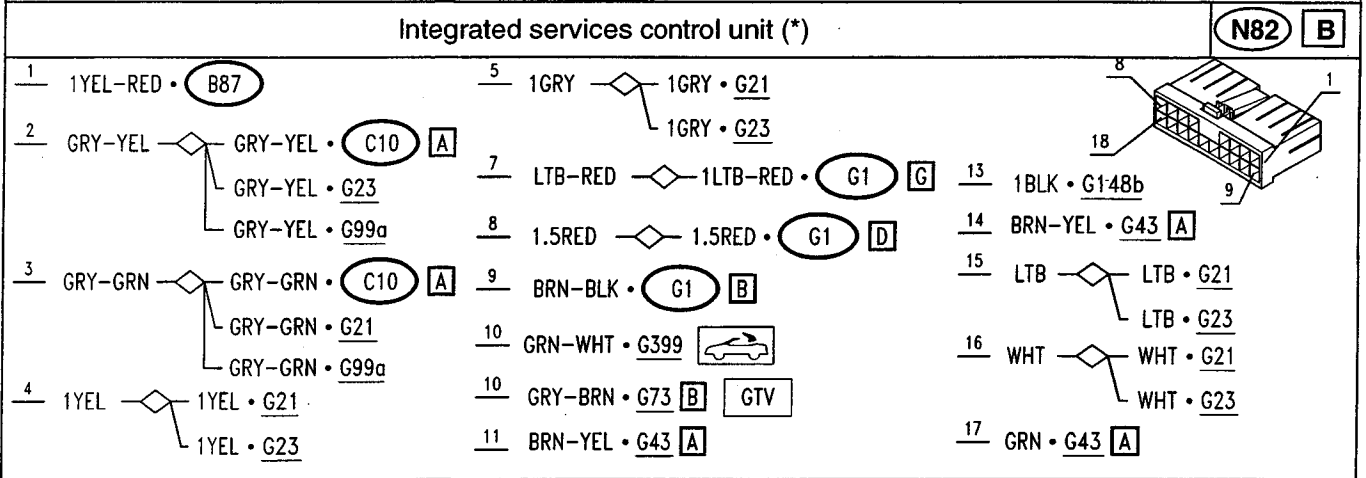
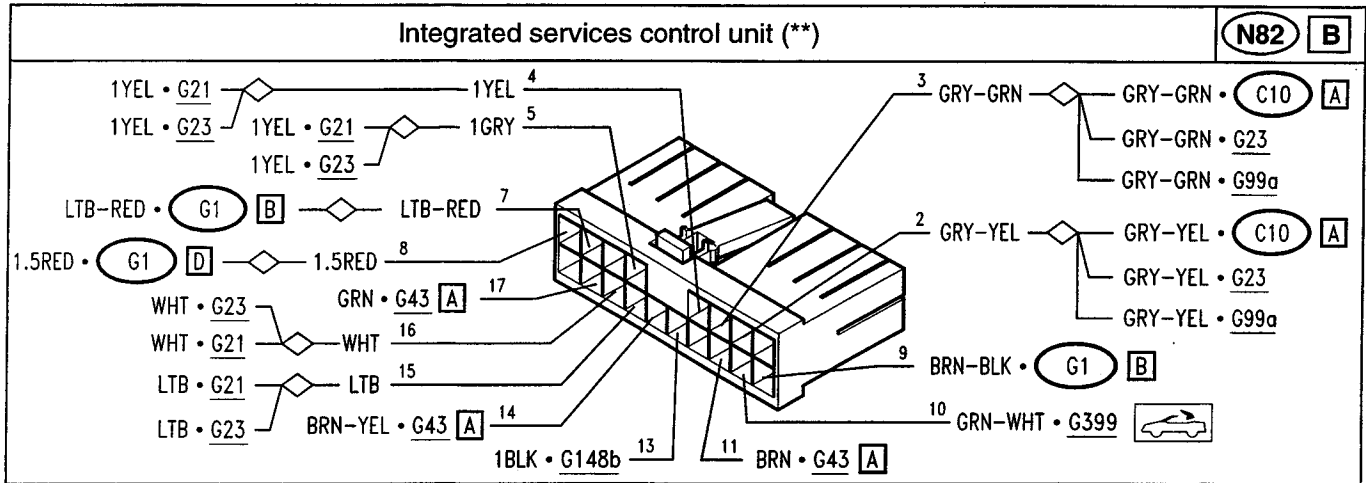
Integrated services control unit (*) (N82) A

- | | | |
|--------------------|--------------------|-------------------|
| 1 1.5PPL-WHT • G21 | 9 1.5WHT-GRN • G23 | 16 1.5RED • G312b |
| 2 GRN-BLK • G21 | 10 ORN • G23 | 18 GRN-WHT • G23 |
| 3 1.5WHT-RED • G21 | 11 ORN-BLK • G23 | 20 1.5BLK • G148b |
| 4 1.5BLK • G148b | 12 RED-YEL • B61 | |
| 5 GRN-YEL • G23 | 13 1BRN • G73 A | |
| 6 GRN • G21 | 14 1PNK • G73 A | |
| 8 1.5PPL-YEL • G23 | 15 1.5RED • G312a | |



(*) starting from November '99
 PA49720000010

(**) up to November '99


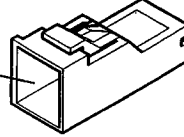
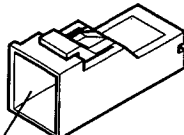
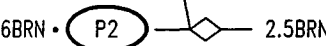

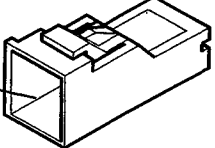
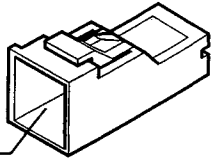
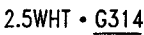

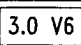
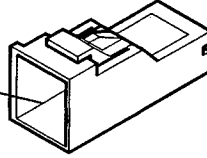
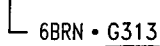
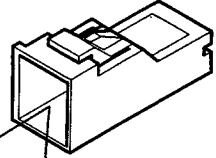
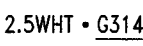


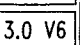
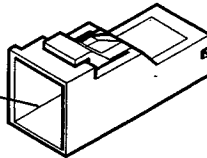

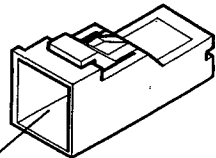
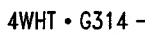

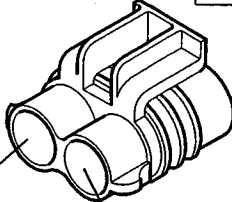
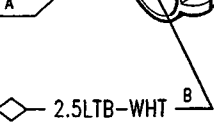
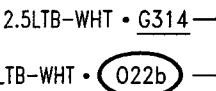

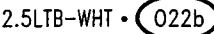

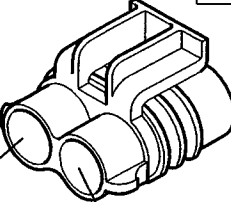
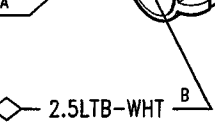
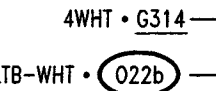

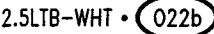

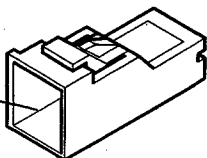
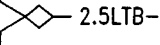
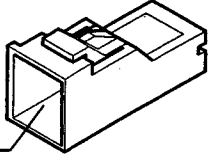
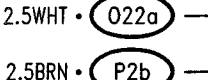
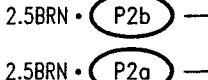

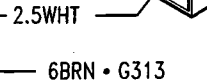
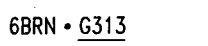

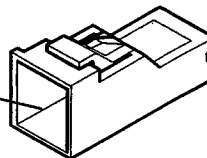
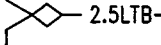
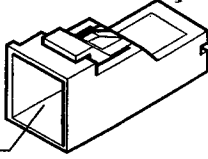
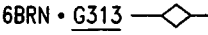
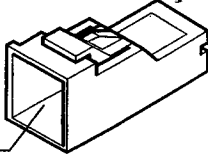


(*) starting from November '99
 PA49720000010

(**) up to November '99

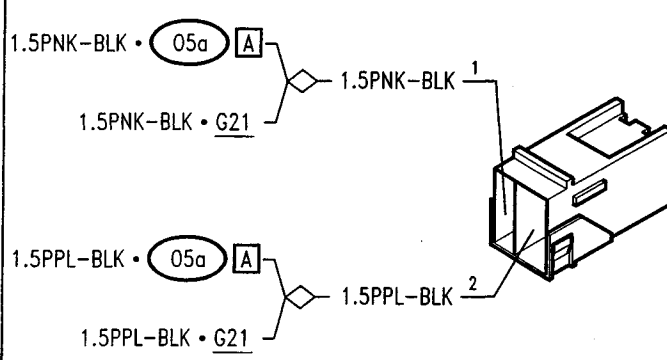
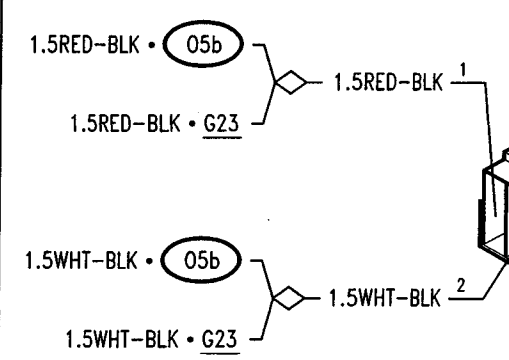
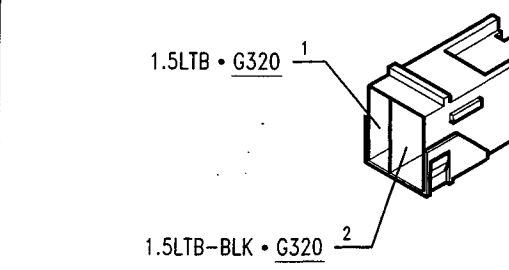
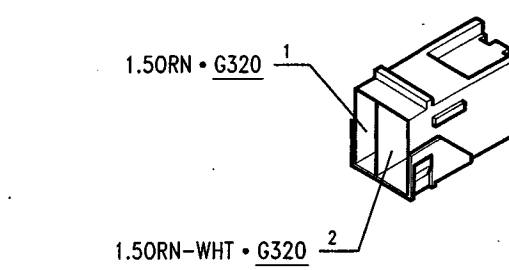
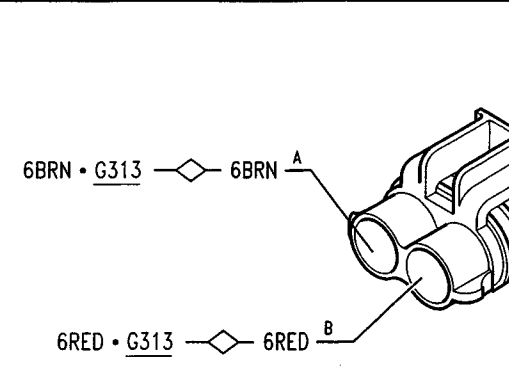
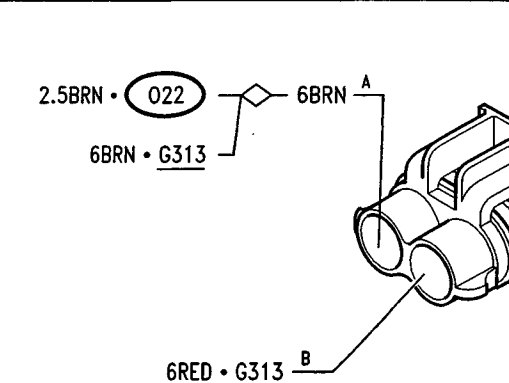
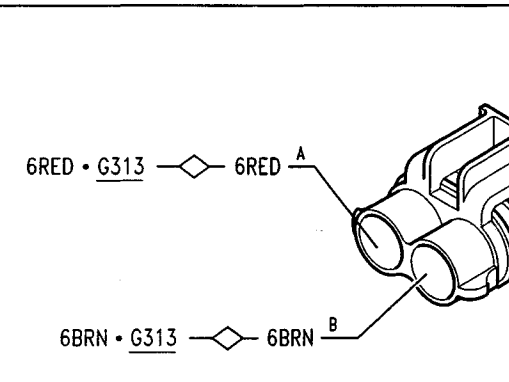
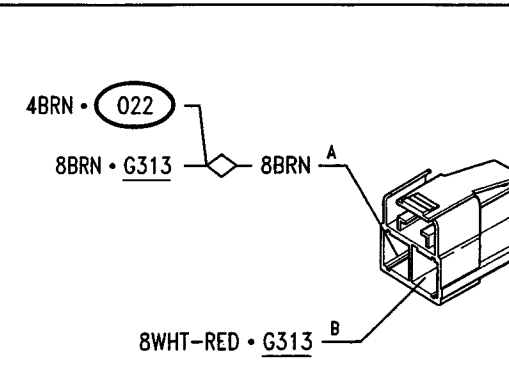
Main injection relay protection diode	N83	Delay device protection diode	N84
Heated rearscreen	O1	High tone horn	O2a
Low tone horn	O2b	Aerial	O3
Car radio	O4 A	Car radio	O4 B

<p>RH front loud-speaker</p>	<p>O5a A</p>	<p>LH front loud-speaker</p>	<p>O5a B</p>
<p>LH front loud-speaker</p>	<p>O5b</p>	<p>RH rear loud-speaker</p>	<p>O5c</p>
			<p>GTV</p>
<p>LH rear loud-speaker</p>	<p>O5d</p>	<p>Cigar lighter - current socket</p>	<p>O6</p>
	<p>GTV</p>		
<p>RH wing mirror defroster</p>	<p>O18</p>	<p>LH wing mirror defroster</p>	<p>O19</p>

Additional engine fan resistance	O22	Additional engine fan resistance	O22
<p>T.SPARK 16v </p> <p>2.5WHT • G314 A </p> <p>6BRN • G313 </p> <p>6BRN • P2 </p>		<p>T.SPARK 16v </p> <p>6BRN • G313 </p> <p>2.5BRN </p> <p>2.5WHT • G314 </p>	
Additional engine fan resistance (**)	O22	Additional engine fan resistance (*)	O22
<p> </p> <p>6BRN • P2 </p> <p>2.5BRN </p> <p>6BRN • G313 </p> <p>3.0 V6 24v 2.5WHT • G314 </p> <p>3.0 V6 2.5LTB-WHT • G314 </p>		<p> </p> <p>8BRN • P2 </p> <p>4BRN </p> <p>4BRN • G313 </p> <p>4WHT • G314 </p>	
Additional engine fan resistance (**)	O22a	Additional engine fan resistance (*)	O22a
<p>2.0 V6 TB </p> <p>6BRN • G313 </p> <p>2.5WHT A </p> <p>2.5LTB-WHT • G314 </p> <p>2.5LTB-WHT B </p> <p>2.5LTB-WHT • O22b </p>		<p>2.0 V6 TB </p> <p>6BRN • G313 </p> <p>2.5BRN A </p> <p>4WHT • G314 </p> <p>2.5LTB-WHT B </p> <p>2.5LTB-WHT • O22b </p>	
Additional engine fan resistance (**)	O22b	Additional engine fan resistance (*)	O22b
<p>2.0 V6 TB </p> <p>2.5LTB-WHT • O22a </p> <p>2.5LTB-WHT </p> <p>2.5WHT • G314 </p> <p>2.5WHT • O22a </p> <p>2.5BRN • P2b </p> <p>2.5BRN • P2a </p> <p>2.5WHT </p> <p>6BRN • G313 </p>		<p>2.0 V6 TB </p> <p>2.5LTB-WHT • O22a </p> <p>2.5LTB-WHT </p> <p>4WHT • G314 </p> <p>6BRN • G313 </p> <p>2.5BRN </p>	

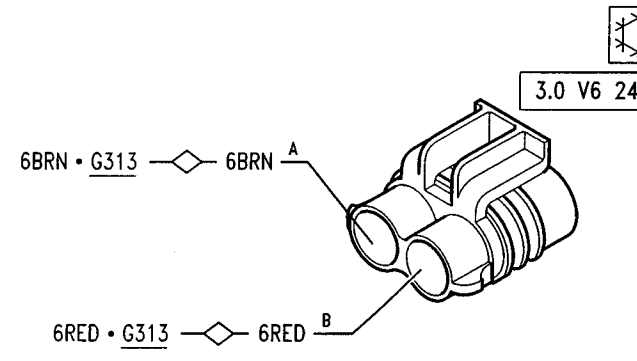
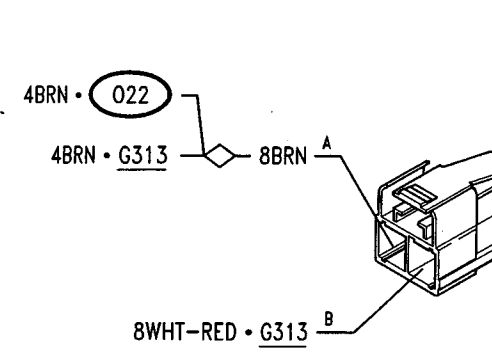
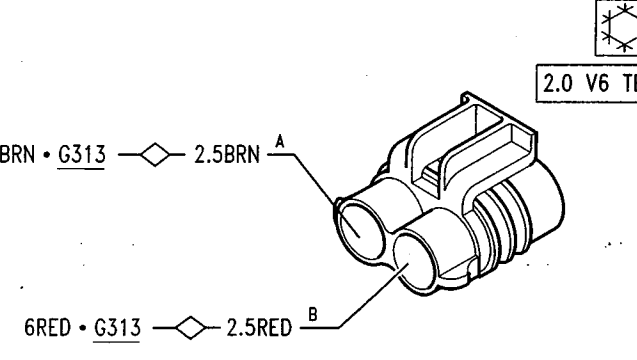
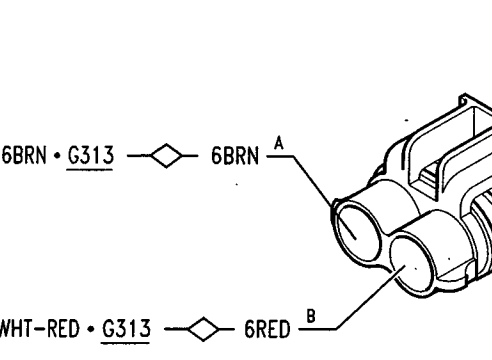
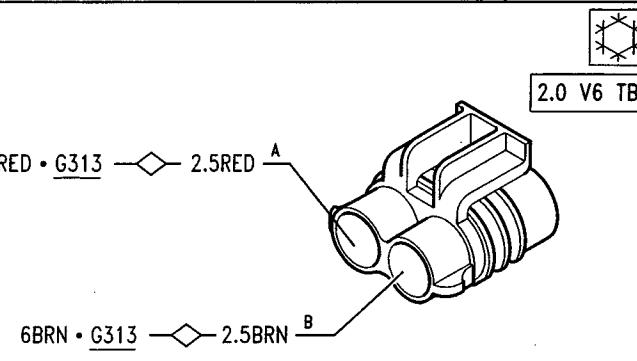
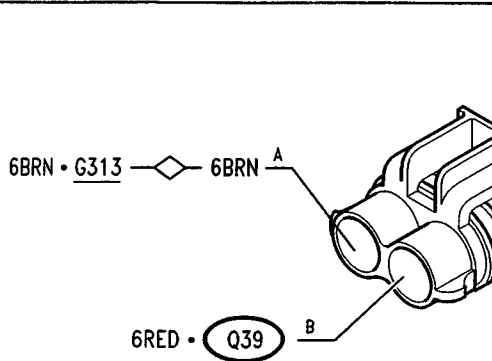
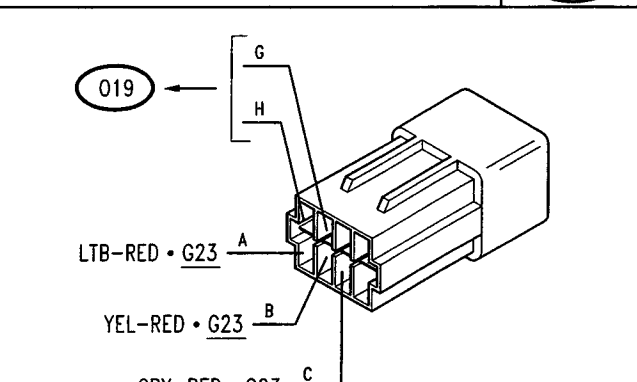
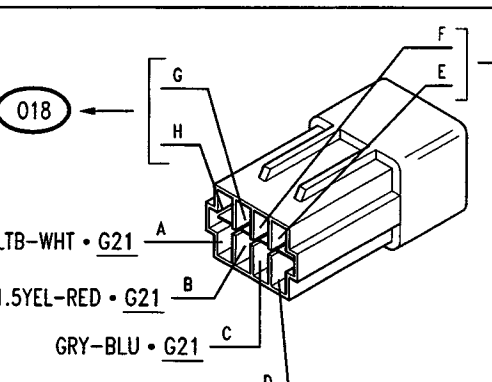
(*) starting from November '99

(**) up to November '99

<p>RH Tweeter loud-speaker</p> <p>(O31a)</p> 		<p>LH Tweeter loud-speaker</p> <p>(O31b)</p> 	
<p>Rear subwoofer speaker</p> <p>(O37a)</p> <p>SPIDER</p> 		<p>Rear subwoofer speaker</p> <p>(O37b)</p> <p>SPIDER</p> 	
<p>Engine cooling fan</p> <p>(P2)</p> 		<p>Engine cooling fan</p> <p>(P2)</p> 	
<p>Engine cooling fan (**)</p> <p>(P2)</p> 		<p>Engine cooling fan (*)</p> <p>(P2)</p> 	

(*) starting from November '99
 PA49720000010

(**) up to November '99

<p>Engine cooling fan (**)</p>	<p>P2</p>	<p>Engine cooling fan (*)</p>	<p>P2</p>
 <p>3.0 V6 24v</p> <p>6BRN • G313 — A</p> <p>6RED • G313 — B</p>		 <p>3.0 V6 24v</p> <p>4BRN • G313 — A</p> <p>8WHT-RED • G313 — B</p>	
<p>Engine cooling fan (**)</p>	<p>P2a</p>	<p>Engine cooling fan (*)</p>	<p>P2a</p>
 <p>2.0 V6 TB</p> <p>2.5BRN — A</p> <p>2.5RED — B</p>		 <p>2.0 V6 TB</p> <p>6BRN — A</p> <p>6RED — B</p>	
<p>Engine cooling fan (**)</p>	<p>P2b</p>	<p>Engine cooling fan (*)</p>	<p>P2b</p>
 <p>2.0 V6 TB</p> <p>2.5RED — A</p> <p>2.5BRN — B</p>		 <p>2.0 V6 TB</p> <p>6BRN — A</p> <p>6RED • Q39 — B</p>	
<p>LH wing mirror motor</p>	<p>P8</p>	<p>RH wing mirror motor</p>	<p>P9</p>
 <p>019</p> <p>LTB-RED • G23 — A</p> <p>YEL-RED • G23 — B</p> <p>GRY-RED • G23 — C</p>		 <p>018</p> <p>LTB-WHT • G21 — A</p> <p>1.5YEL-RED • G21 — B</p> <p>GRY-BLU • G21 — C</p> <p>PNK-WHT • G21 — D</p>	

<p>Front RH door lock motor</p>	<p>P10 A</p>	<p>Front RH door lock motor</p>	<p>P10 B</p>
<p>Front LH door lock motor</p>	<p>P11 A</p>	<p>Front LH door lock motor</p>	<p>P11 B</p>
<p>Front RH power window motor</p>	<p>P14</p>	<p>Front LH power window motor</p>	<p>P15</p>
<p>Fuel pump (**)</p>	<p>P18</p>	<p>Fuel pump (*)</p>	<p>P18</p>

(*) starting from November '99
 PA49720000010

(**) up to November '99

<p>Windscreen and rearscreen washer pump (P19)</p>	<p>Windscreen and rearscreen washer pump (P19)</p> <p>2.0 V6 TB</p>
<p>Windscreen wiper motor with control unit (P27) (A)</p>	<p>Windscreen wiper motor with control unit (P27) (B)</p>
<p>RH headlamp aiming motor (P35a)</p>	<p>LH headlamp aiming motor (P35b)</p>
<p>Automatic hood control pump (P51)</p>	<p>Heater fan (Q1)</p>

(*) starting from November '99
 PA49720000010

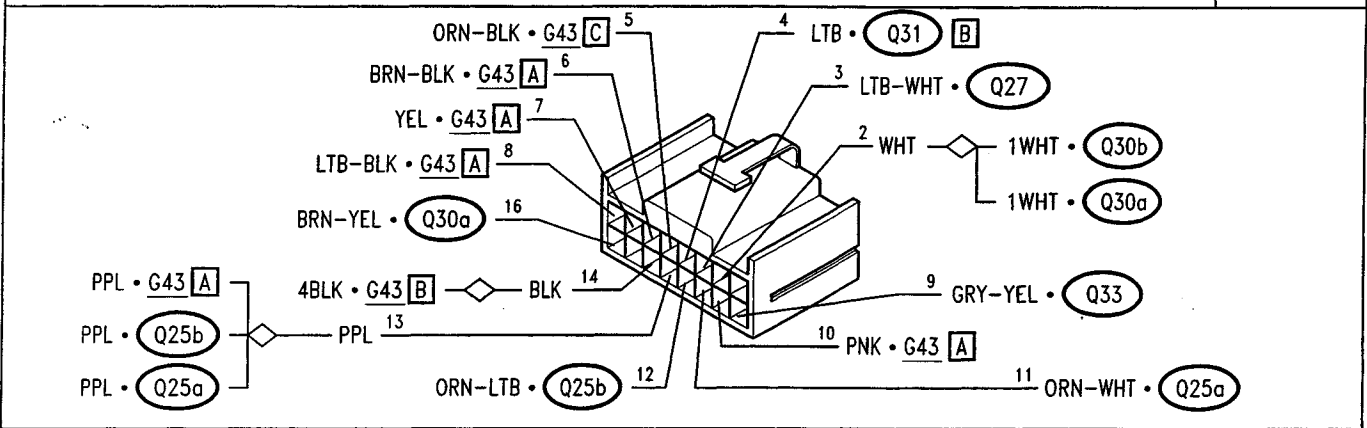
(**) up to November '99

<p>Compressor electromagnetic coupling</p> <p>Q11</p> <p>3.0 V6 3.0 V6 24v 1BRN • Q22</p> <p>1BRN • Q41 [A]</p> <p>1BRN • G337</p> <p>2.0 V6 TB 1BRN • Q22 1BRN</p>	<p>Q20</p> <p>1GRY-BLK • G314 [B] 5</p> <p>1BLK • G314 [A] 4</p> <p>1PPL • G314 [B] 3</p> <p>1GRN-WHT • G314 [A] 2</p> <p>1BLK-PPL • G314 [A] 1</p> <p>T.SPARK 16v</p>
<p>Min. and max. pressure switch (**)</p> <p>Q20</p> <p>1BLK-PPL • G337</p> <p>1BLK • G314 1BLK 4</p> <p>1GRY-BLK • Q42 3</p> <p>1GRY • Q22 2</p> <p>1BLK-PPL • L33 1</p> <p>2.0 V6 TB</p>	<p>Min. and max. pressure switch (*)</p> <p>Q20</p> <p>1GRY-BLK • Q42 2</p> <p>1BLK • G314 1BLK 1</p> <p>1BLK-PPL • G314 1BLK-PPL 3</p> <p>1GRY • Q22 4</p> <p>2.0 V6 TB</p>
<p>Min. and max. pressure switch</p> <p>Q20</p> <p>1BLK • G314 1BLK 4</p> <p>1GRY-BLK • Q42 3</p> <p>1GRY • G337 2</p> <p>1BLK-PPL • G314 1BLK-PPL 1</p> <p>3.0 V6</p>	<p>Min. and max. pressure switch (**)</p> <p>Q20</p> <p>1GRY-BLK • G337 5</p> <p>1BLK • G314 4</p> <p>1PPL • G337 3</p> <p>1GRN-WHT • G337 2</p> <p>1BLK-PPL • G314 1</p> <p>3.0 V6 24v</p>
<p>Min. and max. pressure switch (*)</p> <p>Q20</p> <p>1PPL • G337 5</p> <p>1BLK • G314 4</p> <p>1GRY-BLK • G337 3</p> <p>1GRN-WHT • G337 2</p> <p>1BLK-PPL • G314 1</p> <p>3.0 V6 24v</p>	

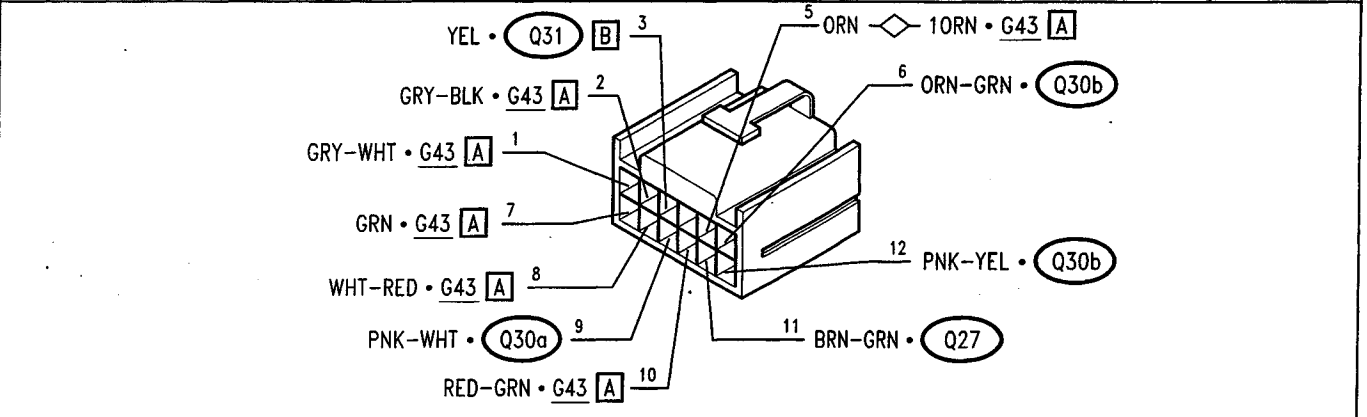
(*) starting from November '99
 PA49720000010

(**) up to November '99

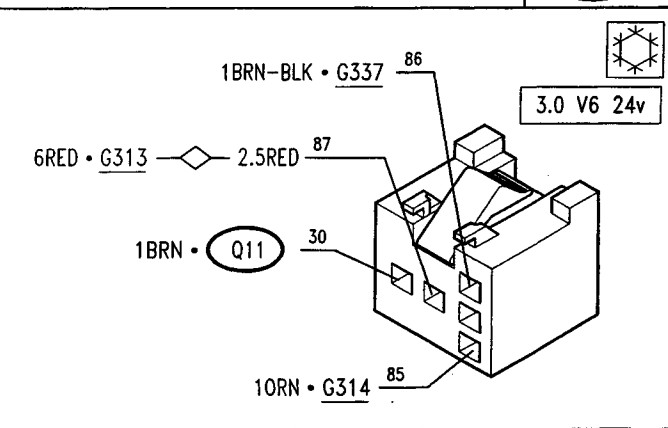
Climate control ECU **Q21** **A**



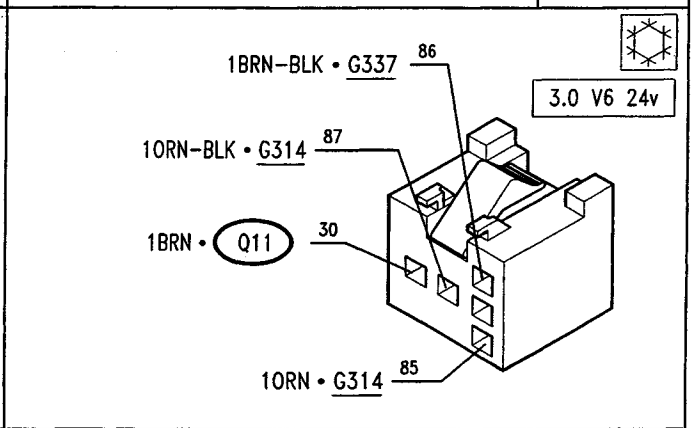
Climate control ECU **Q21** **B**



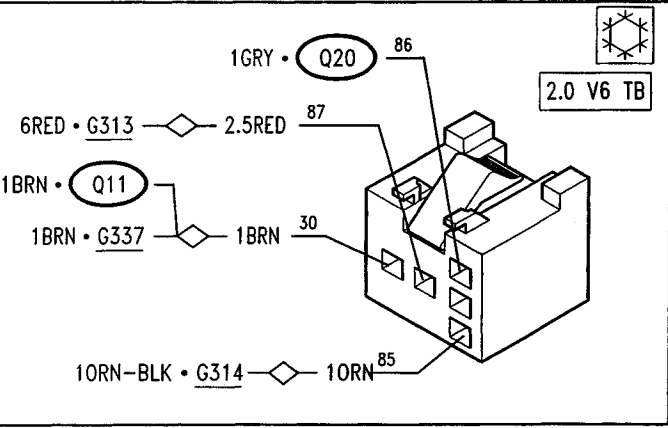
Electromagnetic coupling relay ()** **Q22**



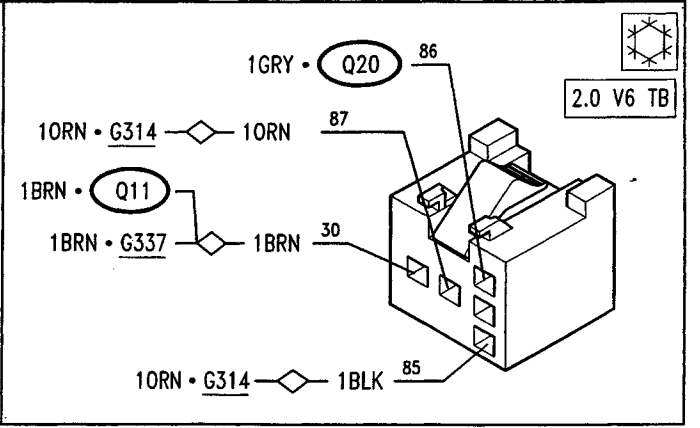
Electromagnetic coupling relay (*) **Q22**



Electromagnetic coupling relay ()** **Q22**



Electromagnetic coupling relay (*) **Q22**

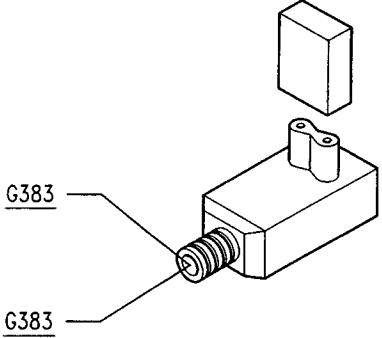
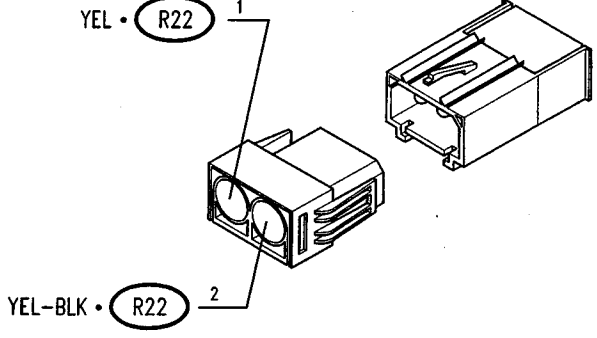
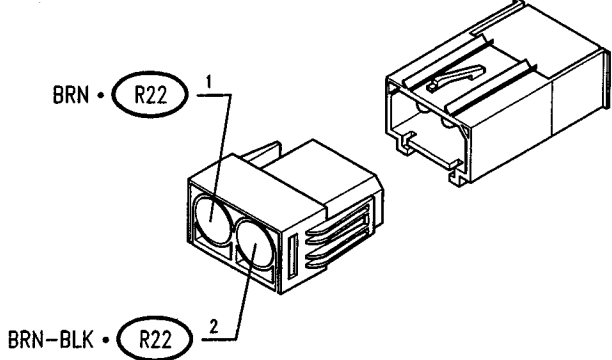
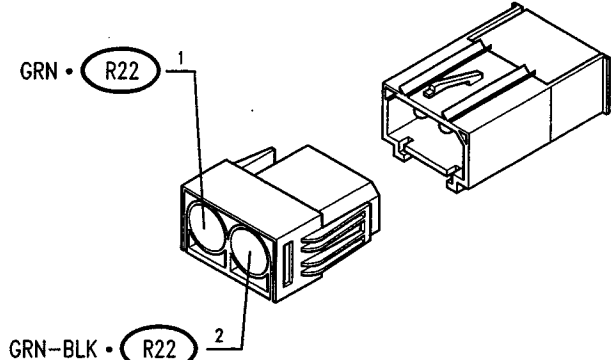
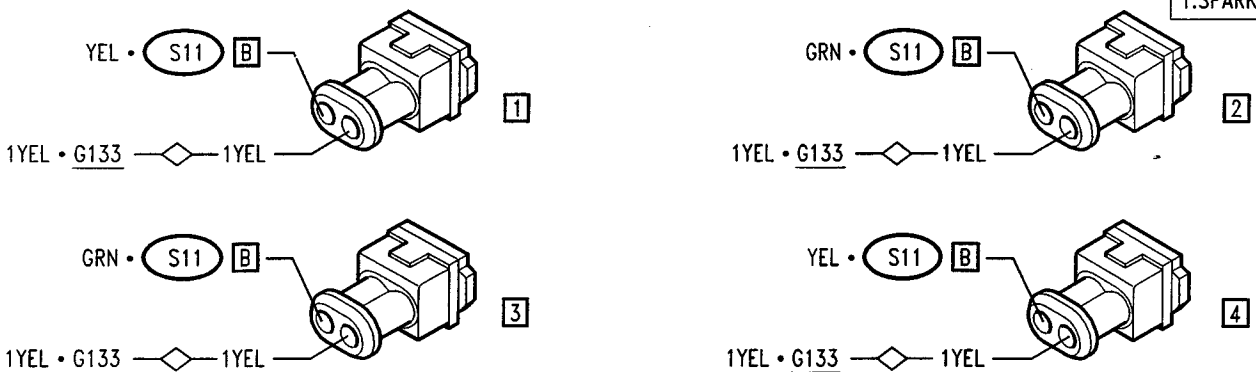


(*) starting from November '99
 PA49720000010

(**) up to November '99

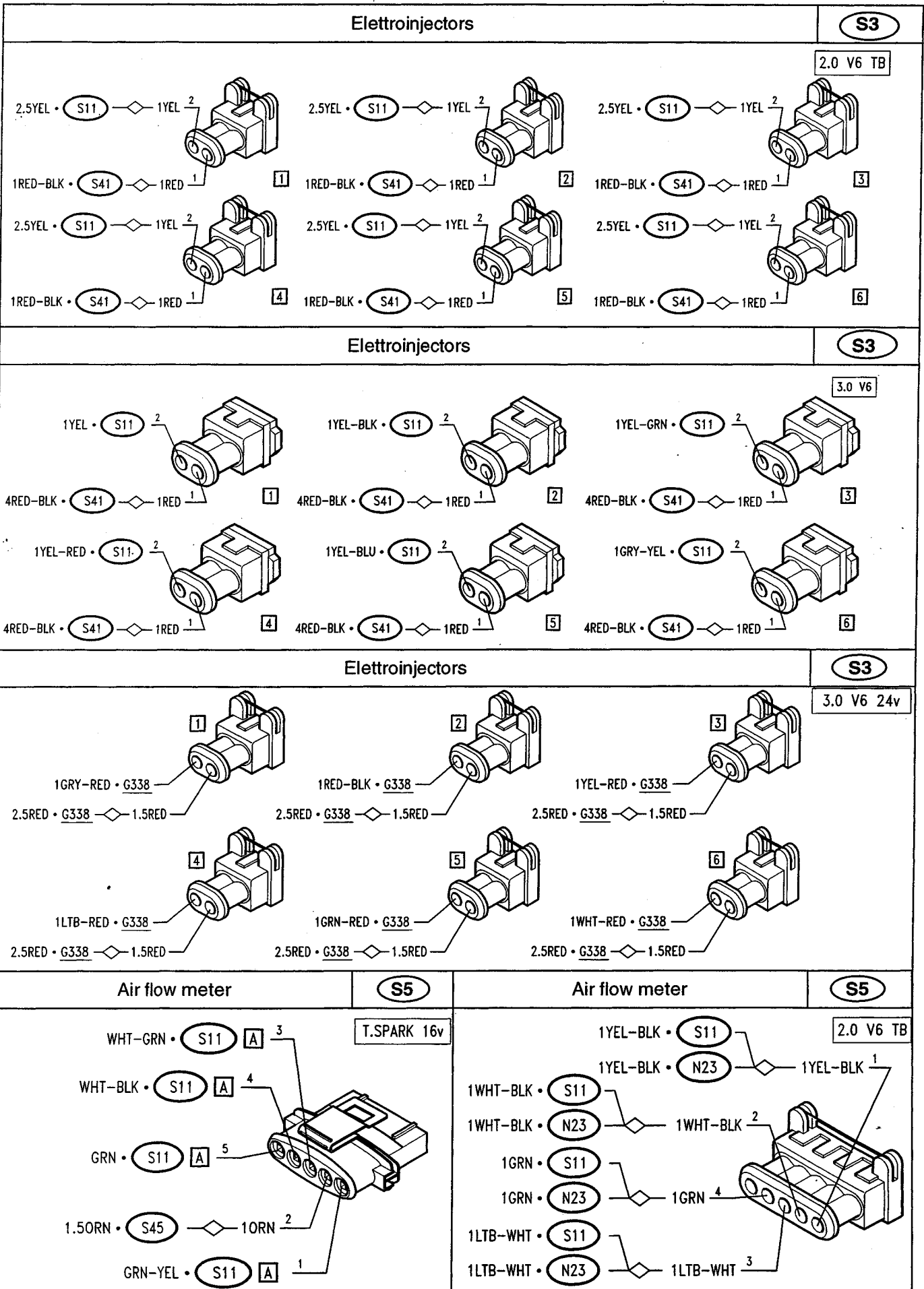
<p>Electromagnetic coupling relay (**)</p>	<p>Q22</p>	<p>Electromagnetic coupling relay (*)</p>	<p>Q22</p>
<p>Electromagnetic coupling relay</p>	<p>Q22</p>	<p>External air temperature sensor</p>	<p>Q24</p>
<p>Upper conditioned air sensor</p>	<p>Q25a</p>	<p>Lower conditioned air sensor</p>	<p>Q25b</p>
<p>Air recirculation flap control motor</p>	<p>Q27</p>	<p>Air distribution actuator</p>	<p>Q30a</p>

<p>Air mixing actuator</p>	<p>Q30b</p>	<p>Climate control solenoid valve electronic regulator</p>	<p>Q31 A</p>
<p>Climate control solenoid valve electronic regulator</p>	<p>Q31 B</p>	<p>Passenger compartment air temperature sensor</p>	<p>Q33</p>
<p>Fuse for conditioning system (**)</p>	<p>Q39</p>	<p>Conditioner fan delay device</p>	<p>Q42</p>
<p>Airbag control unit</p>			<p>R22</p>
<p>1 BLU-BLK • G383</p> <p>2 BLU • G383</p> <p>3 YEL-BLK • R27</p> <p>4 YEL • R27</p> <p>5 LTB-WHT • B102</p> <p>6 BRN • R28</p>	<p>7 BRN-BLK • R28</p> <p>8 BLK • G381</p> <p>9 WHT-YEL • G380</p> <p>10 GRN • R29</p> <p>11 GRN-BLK • R29</p> <p>13 PPL-WHT • G380</p>	<p>14 BLK • G381</p> <p>15 LTB-RED • G380</p> <p>23 BLK • G381 (*)</p> <p>24 BRN-WHT • B102 (*)</p>	
<p>(*) wire fitted in versions with passenger airbag only</p>			

<p>Capsule on steering wheel for airbag</p>  <p>G383</p> <p>G383</p>	<p>R23</p>	<p>Passenger's side airbag capsule</p>  <p>YEL • R22 1</p> <p>YEL-BLK • R22 2</p>	<p>R27</p>
<p>Capsule on RH pretensioner</p>		<p>R28</p>	
 <p>BRN • R22 1</p> <p>BRN-BLK • R22 2</p>			
<p>Capsule on LH pretensioner</p>		<p>R29</p>	
 <p>GRN • R22 1</p> <p>GRN-BLK • R22 2</p>			
<p>Electroinjectors</p>		<p>S3</p>	
 <p>YEL • S11 (B) 1</p> <p>1YEL • G133 — 1YEL</p> <p>GRN • S11 (B) 2</p> <p>1YEL • G133 — 1YEL</p> <p>GRN • S11 (B) 3</p> <p>1YEL • G133 — 1YEL</p> <p>YEL • S11 (B) 4</p> <p>1YEL • G133 — 1YEL</p>		<p>T.SPARK 16v</p>	

(*) starting from November '99
PA49720000010

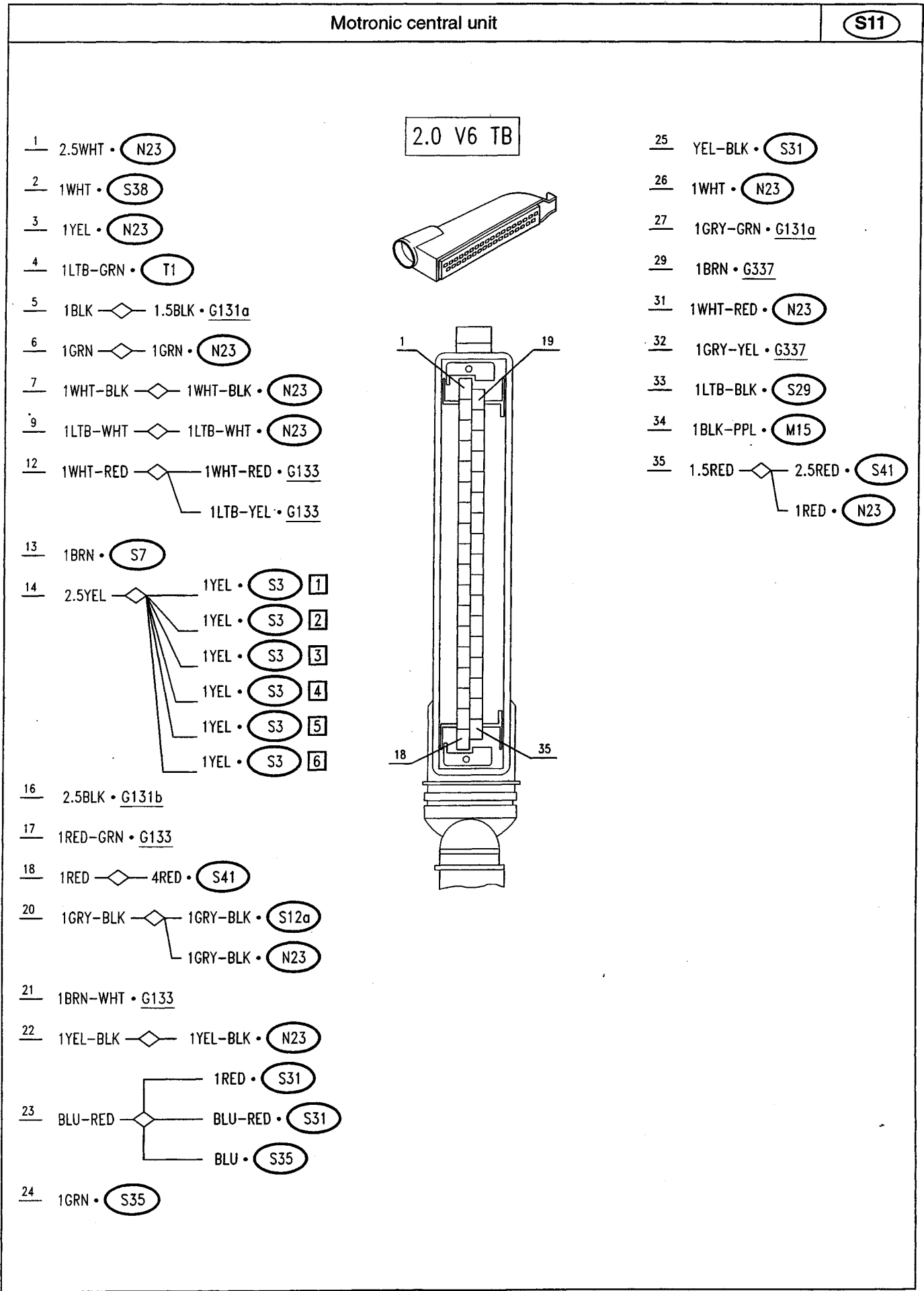
(**) up to November '99



(*) starting from November '99
 PA49720000010

(**) up to November '99

<p style="text-align: center;">Air flow meter</p> <p style="text-align: right;">S5</p> <p style="text-align: right;">3.0 V6</p> <p>1 RED-BLK • S12e 3</p> <p>1 WHT-BLK • S11 4</p> <p>1 GRN • S11 2</p> <p>1 BLK • G131b 1</p>		<p style="text-align: center;">Air flow meter</p> <p style="text-align: right;">S5</p> <p style="text-align: right;">3.0 V6 24v</p> <p>PPL-BLK • S11 E 3</p> <p>ORN-WHT • S11 E 4</p> <p>ORN-BLK • S11 E 5</p> <p>2.5 RED-BLK • S45 1 RED-BLK 2</p> <p>GRN • S11 E 1</p>	
<p style="text-align: center;">Engine temperature sensor</p> <p style="text-align: right;">S7</p> <p style="text-align: right;">2.0 V6 TB</p> <p>1 BRN • S11 2</p> <p>1 BRN • N23 1</p>		<p style="text-align: center;">Engine temperature sensor</p> <p style="text-align: right;">S7</p> <p style="text-align: right;">3.0 V6</p> <p>1 WHT • S11 1</p> <p>1 WHT 2</p>	



Motronic central unit

S11

3.0 V6

1 1GRY-BLK • S12a

2 1ORN-BLK • S29

3 1YEL • S3 [1]

4 1YEL-BLK • S3 [2]

5 1YEL-GRN • S3 [3]

6 1.5BLK • G131a

8 1RED-GRN • G133b

9 1GRY-RED • L46

11 BLK • S35

12 GRN • S35

14 1GRN • S5

16 BLK • S31

24 1GRY • A8

25 1LTB • A8

26 1RED • S46

27 1GRN-YEL • S41

28 1BLK —◇— 1BLK • G131b

29 1LTB-BLK • S29

31 1YEL-RED • S3 [4]

32 1YEL-BLU • S3 [5]

33 1GRY-YEL • S3 [6]

34 1.5BLK • G131a

36 1ORN • M15

41 1WHT-BLK • S5

42 1LTB • G133

43 YEL • S31

44 1GRY • S52

47 1BRN-WHT • G133

48 1BRN • G337

52 1.5GRN • A8

54 1.5RED-BLK —◇— 4RED-BLK • S41

55 2.5BLK —◇— 2.5BLK • G131a

56 1PNK-BLK • S42

59 1LTB-WHT • S38

64 1GRY-YEL • G337

65 1GRY • G337

69 RED • S20b

70 YEL • S20a

71 1BLK —◇— BLK • S20a

WHT • S20b

72 1WHT —◇— 1WHT • S34

1WHT • S7

1WHT • S38

73 1YEL • S38

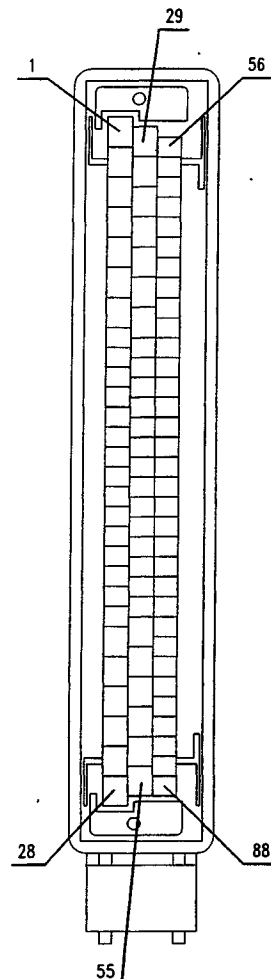
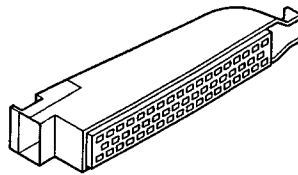
77 1PNK-WHT • S34

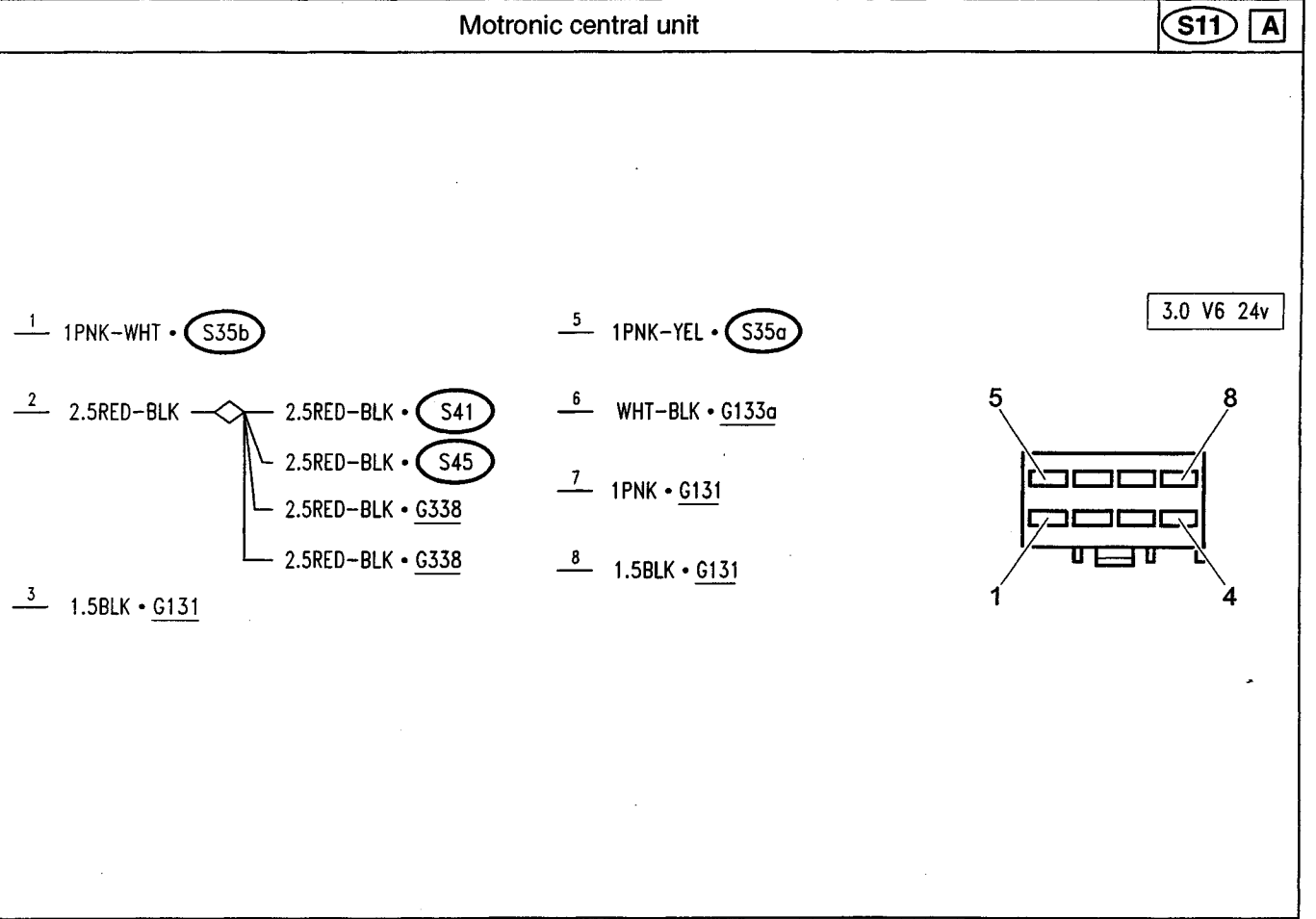
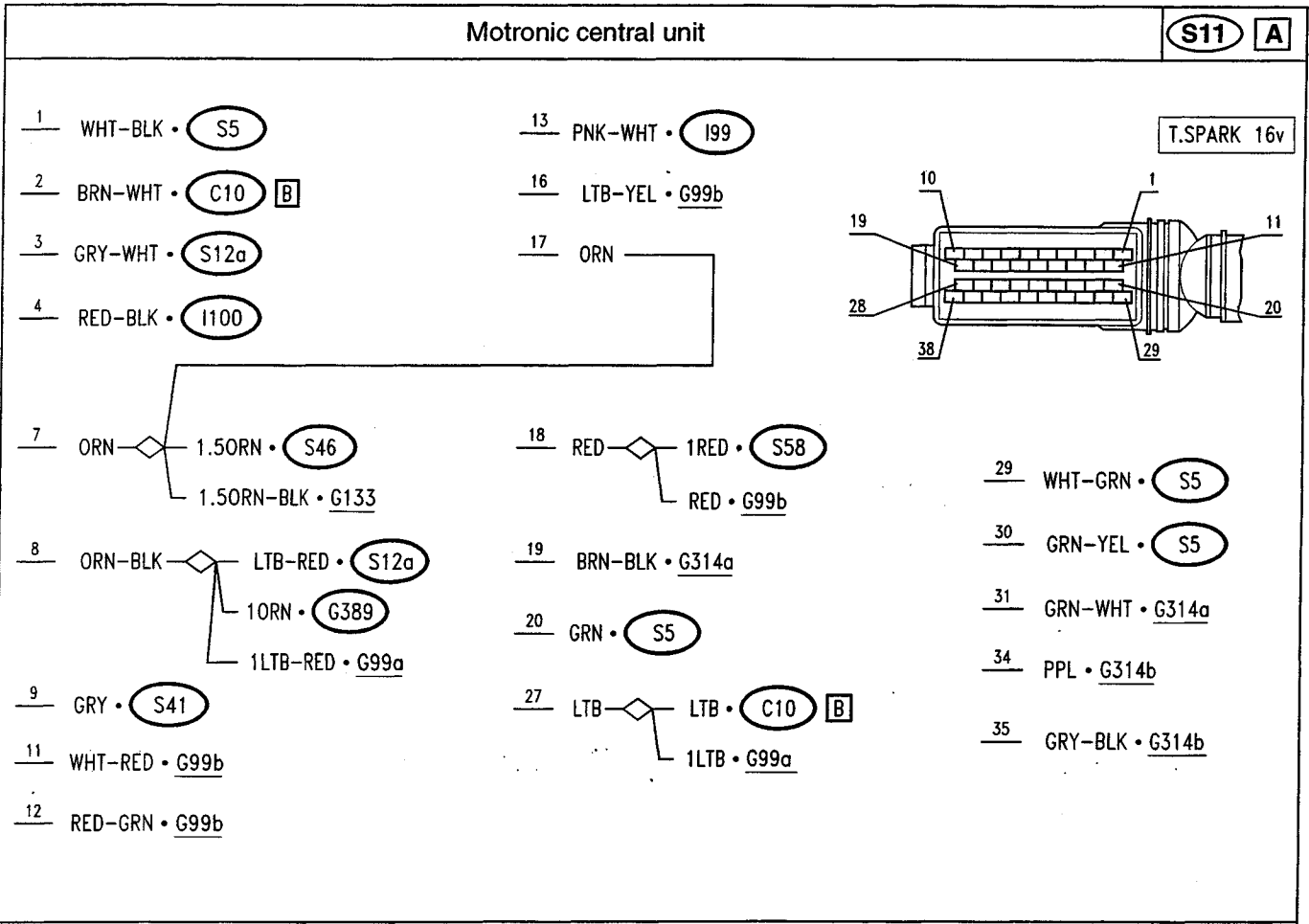
78 1BRN • S7

87 1LTB-YEL • T1

88 1WHT-RED —◇— 1WHT-RED • G133

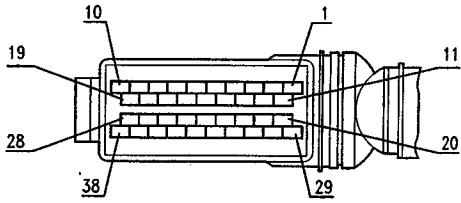
1LTB-YEL • G133




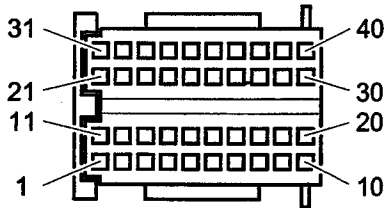


(*) starting from November '99

(**) up to November '99

Motronic central unit		S11 B
<p>1 YEL - YEL • S7</p> <p style="margin-left: 20px;">YEL • S29</p> <p>2 YEL • S20</p> <p>4 YEL • S29</p> <p>5 YEL • S7</p> <p>6 YEL • S3 [1]</p> <p>7 YEL • S3 [4]</p> <p>8 YEL • S35</p> <p>9 YEL • A8 [3]</p> <p>10 YEL • A8 [4]</p> <p>11 GRN • S20</p> <p>13 GRN • S29</p> <p>16 GRN • S3 [3]</p> <p>17 GRN • S3 [2]</p>	<p>21 WHT • S35</p> <p>22 WHT • S31</p> <p>23 WHT • S52</p> <p>24 WHT • S15</p> <p>26 YEL • S29</p> <p>29 BLU - BLU • S52</p> <p style="margin-left: 20px;">BLU • S29</p> <p>30 BLU • S35</p> <p>32 BLU • S31</p> <p>33 BLU • S57</p> <p>34 BLU • M15</p> <p>35 BLU • S29</p> <p>37 BLU • A8 [2]</p> <p>38 BLU • A1 [1]</p>	<p>T.SPARK 16v</p> 

Motronic central unit		S11 B
		3.0 V6 24v
<p>4 RED - 1RED • S58</p> <p style="margin-left: 20px;">1RED • G133</p>		

Motronic central unit		S11 C
		3.0 V6 24v
<p>21 1LTB-BLK • M15</p> <p>22 GRY-WHT • G133b</p> <p>23 GRY-YEL • G133b</p> <p>24 GRY • G133b</p> <p>25 GRY-BLK • G133b</p> <p>26 GRY-GRN • G133b</p> <p>27 GRY-BLU • G133b</p>	<p>29 1GRN-BLK • S12a</p> <p>31 GRN-BLK • S35a</p> <p>32 YEL-RED • S35a</p> <p>33 GRN-WHT • S35b</p> <p>34 YEL-BLK • S35b</p> <p>38 BRN-WHT • G133</p> <p>399 1WHT-RED • G133</p>	

(*) starting from November '99
 PA49720000010

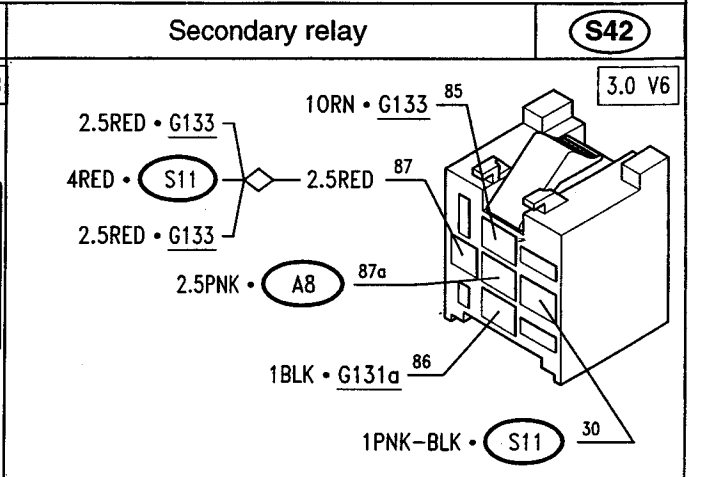
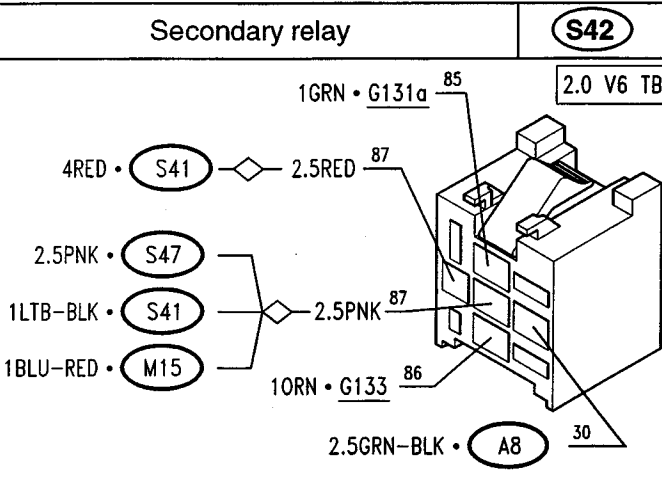
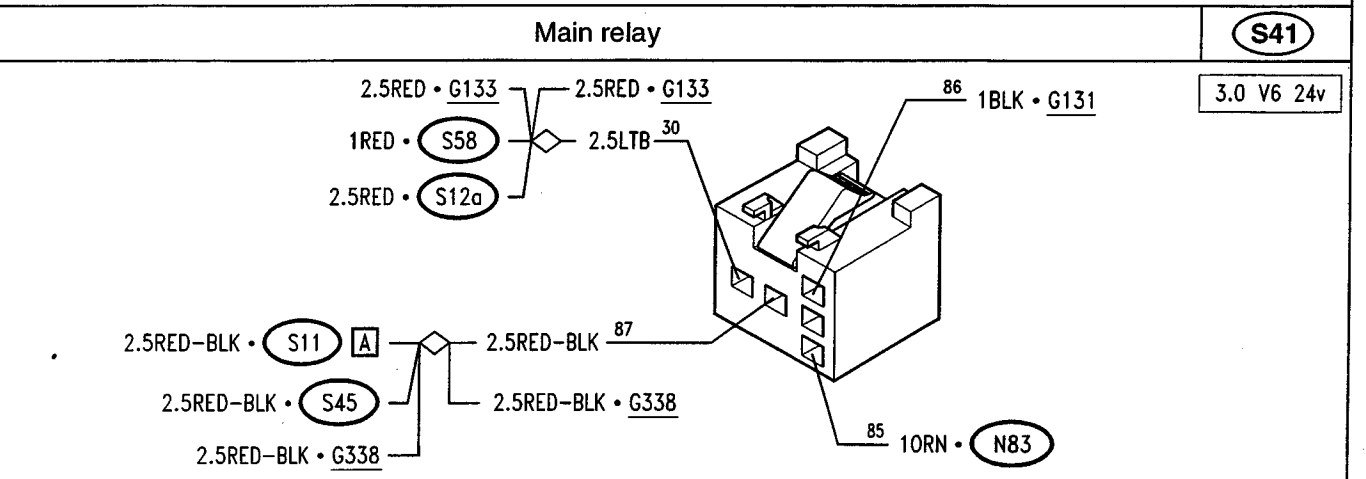
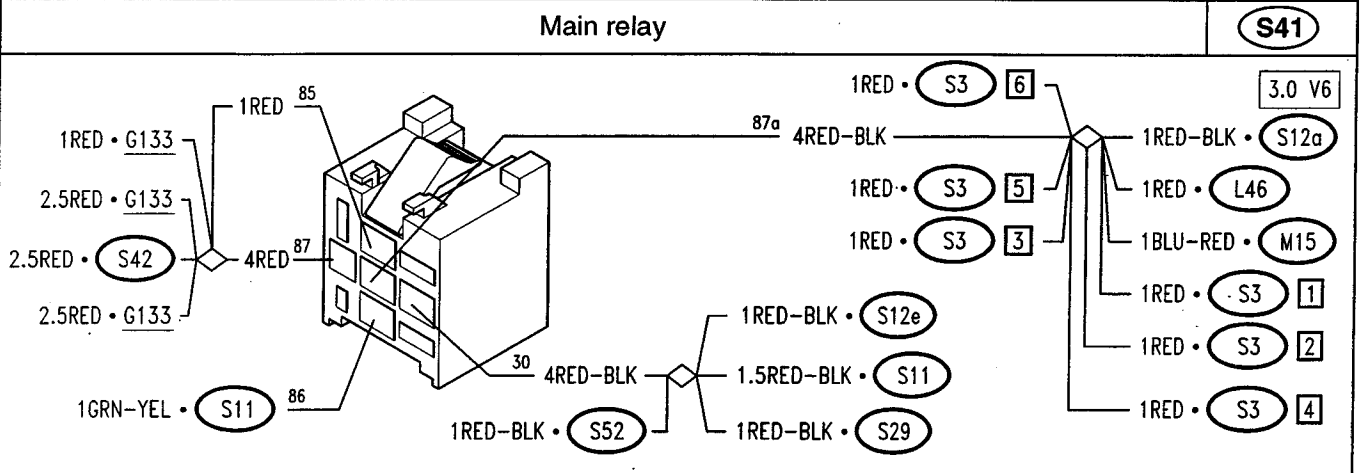
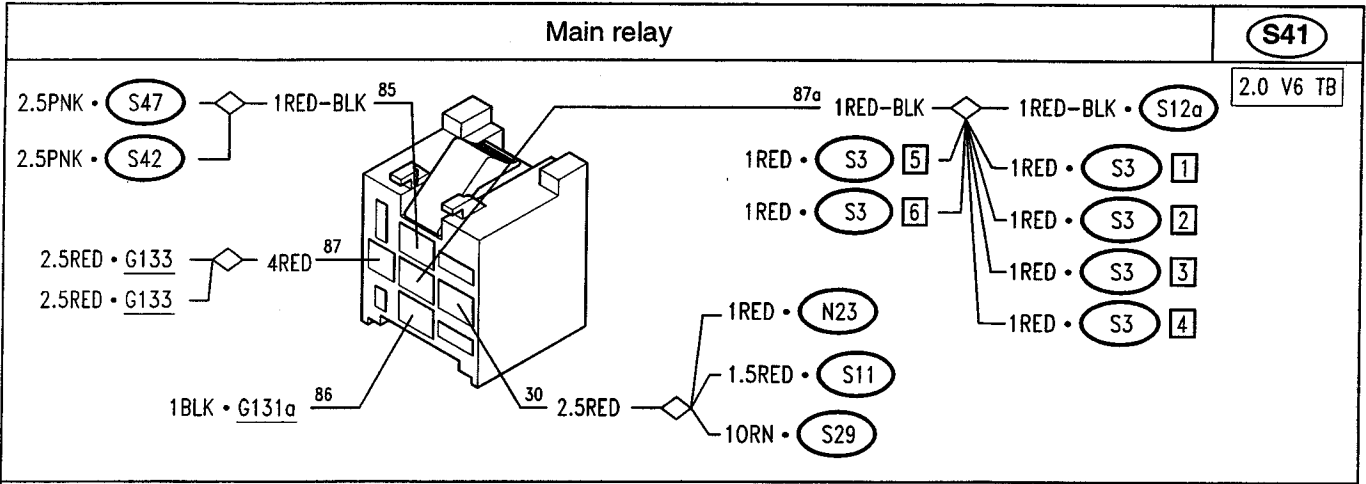
(**) up to November '99

<p>Motronic fuel pump relay (S12a)</p> <p>GRY-WHT • (S11) [A] 86 T.SPARK 16v</p> <p>2.5PNK-WHT • G99b</p> <p>2.5PNK-WHT • G133 87</p> <p>4RED-BLK • (G56) [A] 2.5RED 30</p> <p>ORN-BLK • (S11) [A] 10RN • (G389)</p> <p>1LTB-RED • G99b LTB-RED 85</p>		<p>Motronic fuel pump relay (S12a)</p> <p>1GRY-BLK • (N23) 86 2.0 V6 TB</p> <p>1GRY-BLK • (S11)</p> <p>2.5PNK-WHT • G133 87</p> <p>1PNK-BLK • (S35)</p> <p>1GRN • (L21)</p> <p>2.5PNK • (S47) 30</p> <p>1RED-BLK • (S41) 1RED-BLK 85</p>	
<p>Motronic fuel pump relay (S12a)</p> <p>1GRY-BLK • (S11) 86 3.0 V6</p> <p>2.5PNK-WHT • G133 2.5PNK-WHT 87</p> <p>5PNK-WHT • (S12e)</p> <p>10RN-BLK • (S35)</p> <p>1.5RED • (S47) 30</p> <p>1RED-BLK • (S41) 1RED-BLK 85</p>		<p>Motronic fuel pump relay (S12a)</p> <p>10RN • (N83) 86 3.0 V6 24v</p> <p>10RN • (S46)</p> <p>2.5PNK-WHT • G133 87</p> <p>2.5RED • G133 2.5RED • (S41)</p> <p>1RED • (S58) 2.5RED 30</p> <p>1GRN-BLK • (S11) [C] 85</p>	
<p>Air flow meter relay (S12e)</p> <p>1BLK • G131a 86 3.0 V6</p> <p>4RED-BLK • (S41) 1RED-BLK 87</p> <p>1RED-BLK • (S5) 30</p> <p>2.5PNK-WHT • G133</p> <p>10RN-BLK • (S35)</p> <p>2.5PNK-WHT • (S12a) 1.5PNK-WHT 85</p>		<p>Phase variator (S15)</p> <p>WHT • (S11) [B] 2 T.SPARK 16v</p> <p>WHT • G133 1</p>	
<p>Altitude corrector (S16)</p> <p>1YEL-RED • (S38) 1YEL-RED 3 2.0 V6 TB</p> <p>1YEL-RED • (N23)</p> <p>1GRY-RED • (S38) 1GRY-RED 2</p> <p>1GRY-RED • (N23)</p> <p>1WHT • (N23) 1</p>		<p>Pinging sensor (S20)</p> <p>GRN • (S11) [B] 2 T.SPARK 16v</p> <p>YEL • (S11) [B] 1</p>	

<p>Pinging sensor a</p>	<p>S20a</p>	<p>Pinging sensor a</p>	<p>S20a</p>
<p>2.0 V6 TB</p>		<p>3.0 V6</p>	
<p>Pinging sensor a</p>	<p>S20a</p>	<p>Pinging sensor b</p>	<p>S20b</p>
<p>3.0 V6 24v</p>		<p>2.0 V6 TB</p>	
<p>Pinging sensor b</p>	<p>S20b</p>	<p>Pinging sensor b</p>	<p>S20b</p>
<p>3.0 V6</p>		<p>3.0 V6 24v</p>	
<p>Idle adjustment actuator</p>	<p>S29</p>	<p>Idle adjustment actuator</p>	<p>S29</p>
<p>2.0 V6 TB</p>		<p>T.SPARK 16v</p>	

<p>Idle adjustment actuator</p>	<p>S29</p>	<p>Rpm and crankshaft position sensor</p>	<p>S31</p>
<p>3.0 V6</p>		<p>T.SPARK 16v</p>	
<p>Rpm and crankshaft position sensor</p>	<p>S31</p>	<p>Rpm and crankshaft position sensor</p>	<p>S31</p>
<p>2.0 V6 TB</p>		<p>3.0 V6</p>	
<p>Rpm and crankshaft position sensor</p>	<p>S31</p>	<p>Air temperature sensor</p>	<p>S34</p>
<p>3.0 V6 24v</p>		<p>3.0 V6</p>	
<p>Heated lambda probe</p>	<p>S35</p>	<p>Heated lambda probe</p>	<p>S35</p>
<p>T.SPARK 16v</p>		<p>2.0 V6 TB</p>	

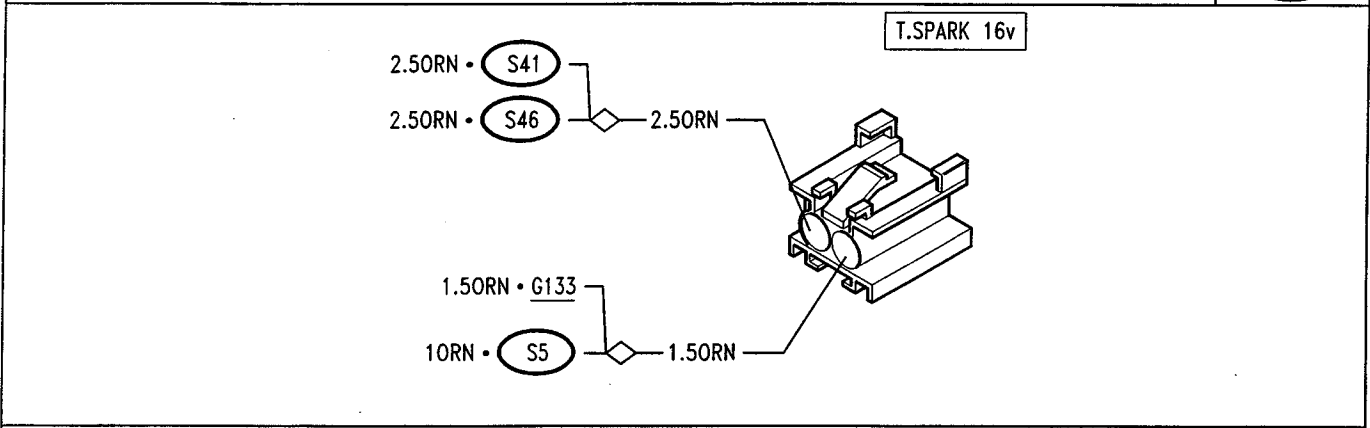
<p>Heated lambda probe</p> <p>S35</p> <p>3.0 V6</p>	<p>S35a</p> <p>3.0 V6 24v</p>
<p>Heated lambda probe</p> <p>S35b</p> <p>3.0 V6 24v</p>	<p>Sensor on throttle body</p> <p>S38</p> <p>2.0 V6 TB</p>
<p>Sensor on throttle body</p> <p>S38</p> <p>3.0 V6 24v</p>	<p>1st cylinder detection sensor</p> <p>S39</p> <p>2.0 V6 TB</p>
<p>Main relay</p> <p>S41</p>	
<p>T.SPARK 16v</p>	



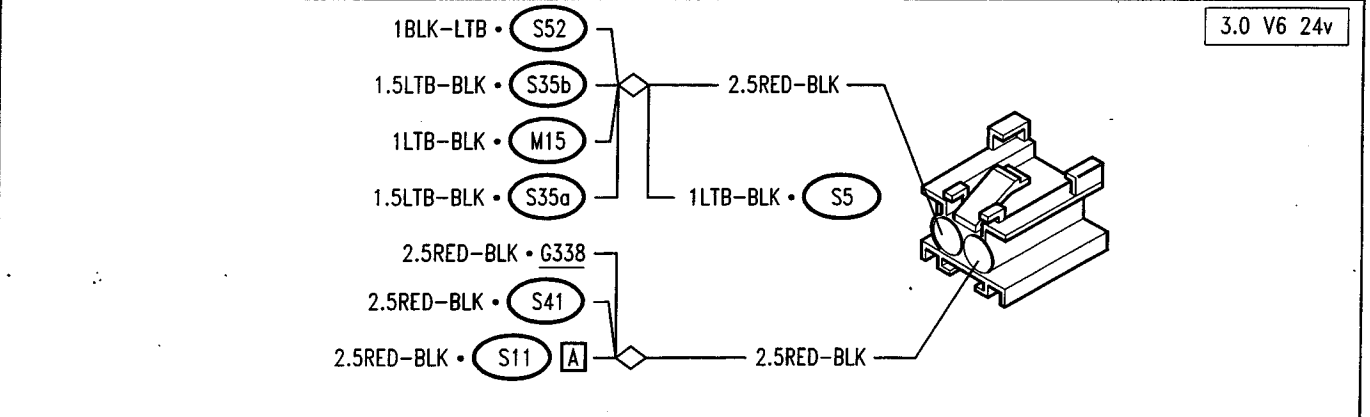
(*) starting from November '99
 PA49720000010

(**) up to November '99

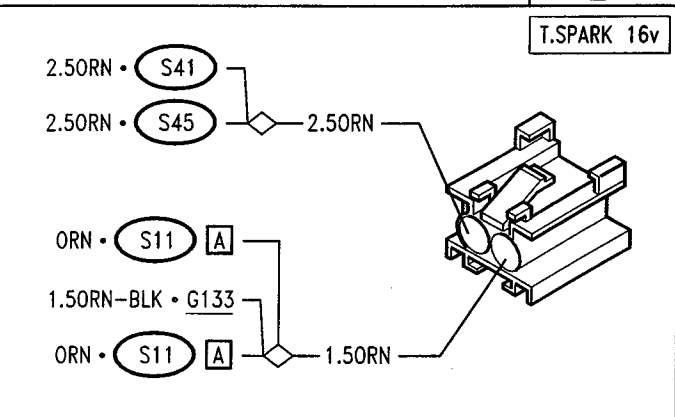
Lambda probe fuse **S45**



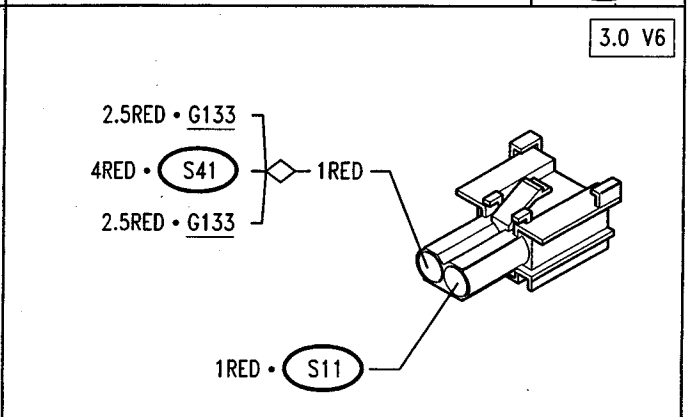
Lambda probe fuse **S45**



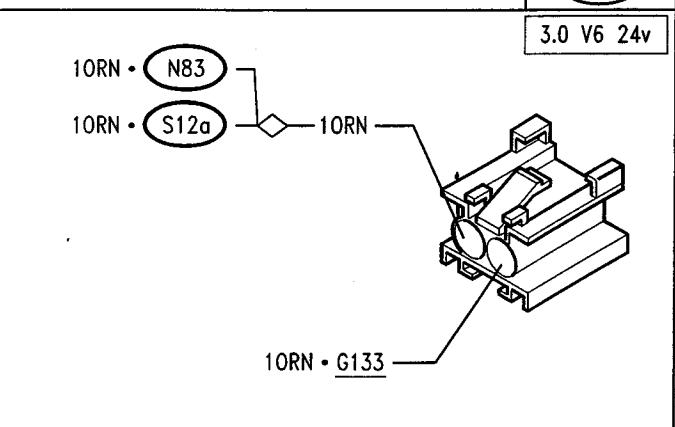
Injection power individual fuse **S46**



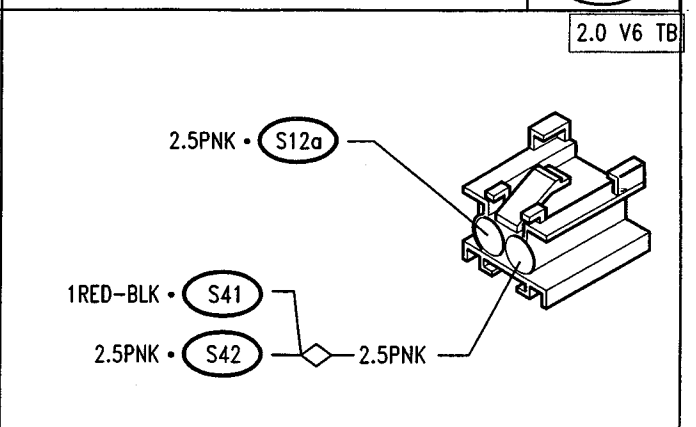
Injection power individual fuse **S46**



Injection power individual fuse **S46**



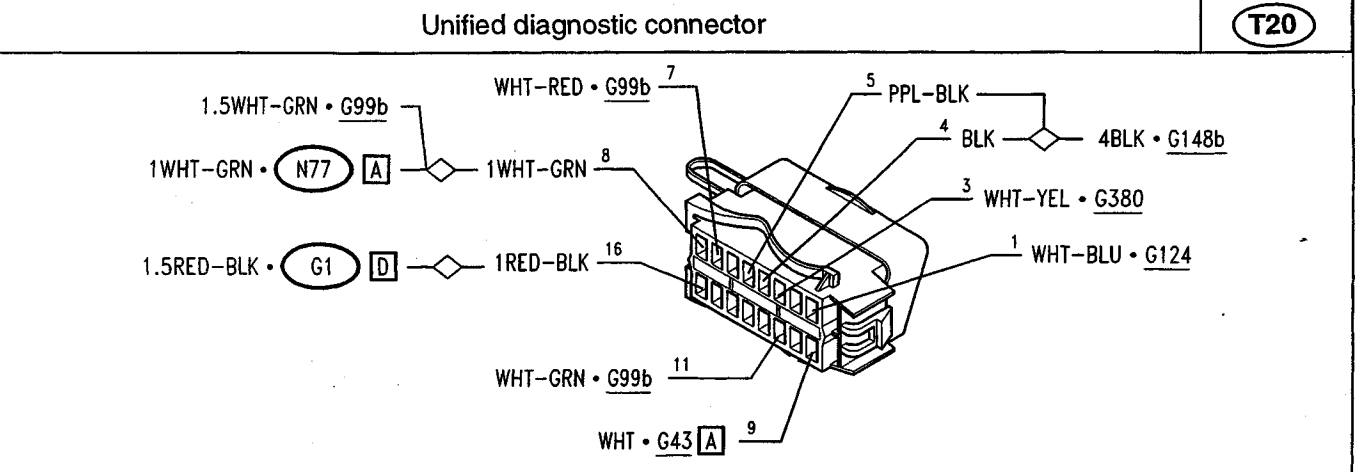
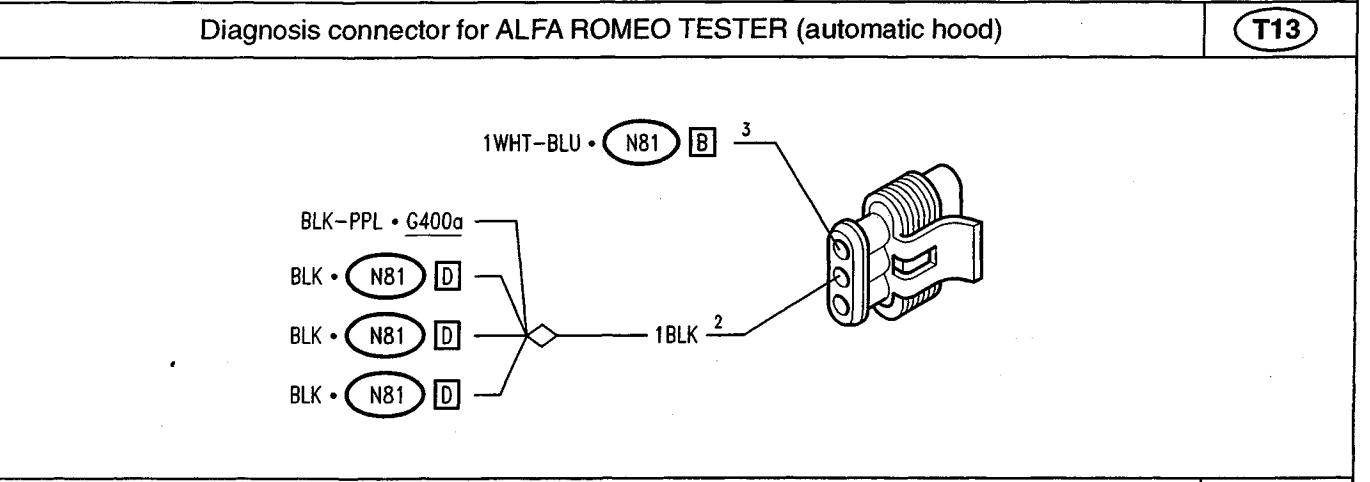
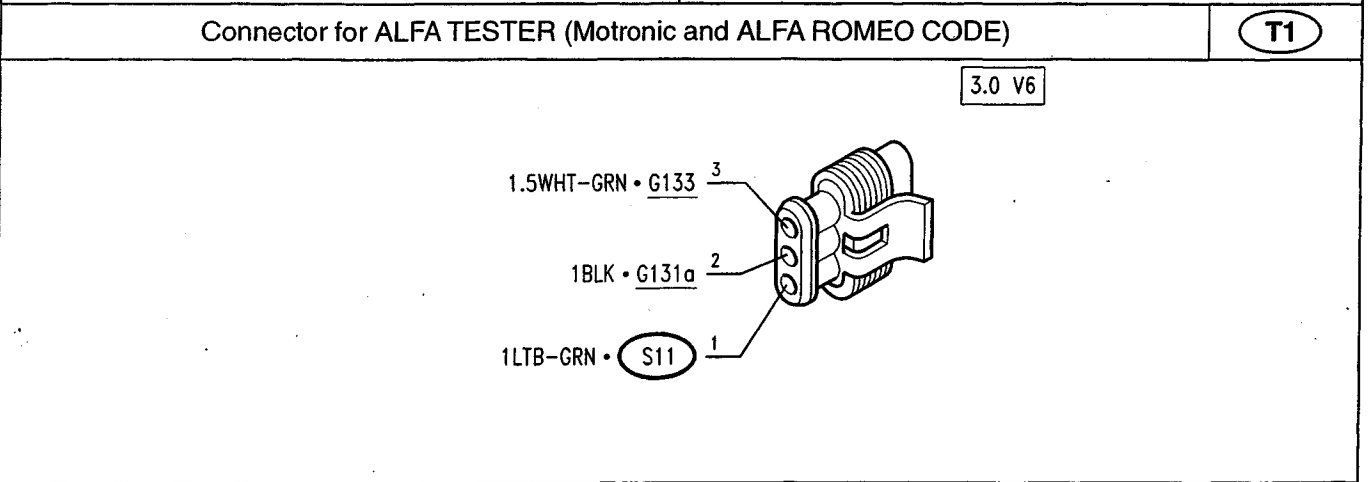
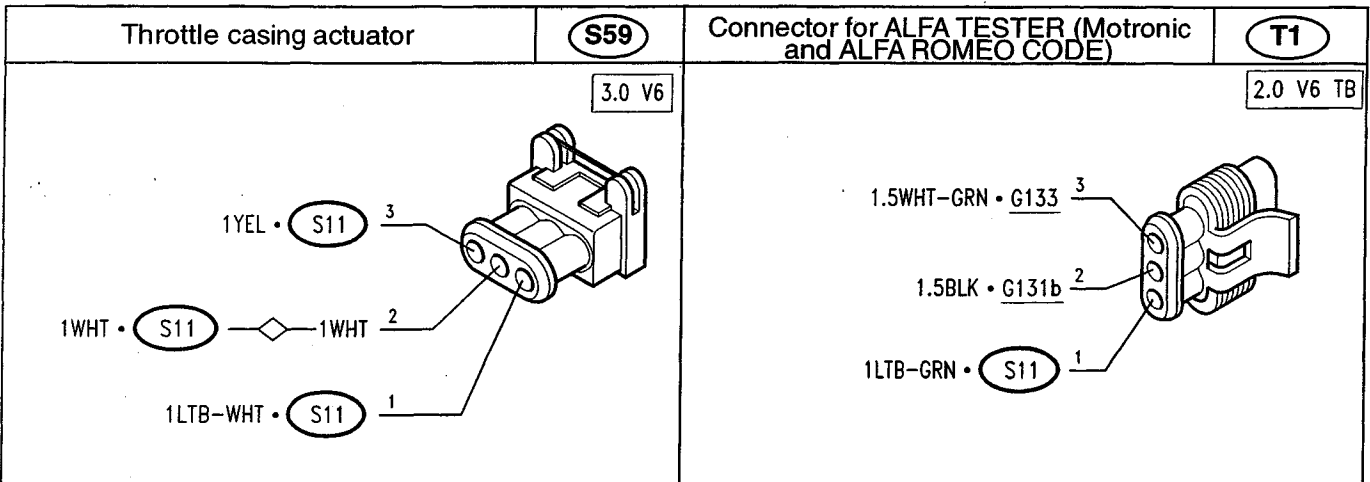
Fuse for fuel pump **S47**



<p>Fuse for fuel pump</p>	<p>S47</p>	<p>Cam angle sensor</p>	<p>S52</p>
<p>3.0 V6</p>		<p>T.SPARK 16v</p>	
<p>Cam angle sensor</p>	<p>S52</p>	<p>Variable geometry solenoid valve</p>	<p>S57</p>
<p>3.0 V6 24v</p>		<p>T.SPARK 16v</p>	
<p>Injection ECU power fuse</p>			
<p>S58</p>			
<p>3.0 V6 24v</p>			
<p>Injection ECU power fuse</p>	<p>S58</p>	<p>Injection ECU power fuse</p>	<p>S58</p>
<p>2.0 V6 TB</p>		<p>T.SPARK 16v</p>	
<p>3.0 V6</p>			

(*) starting from November '99
 PA49720000010

(**) up to November '99



(*) starting from November '99
 PA497200000010

(**) up to November '99



SERVICE

DIREZIONE MARKETING E COMMERCIALE

MARKETING PRODOTTO E SERVIZI

SERVIZI POST VENDITA-ASSISTENZA TECNICA

Viale Alfa Romeo 20020 - ARESE (MI)

Fiat Auto S.p.A.

Publication No. PA497200000007 - 5/1997

Printed in Italy by Tipografia Bogliani - Torino

All rights reserved. This book, or parts thereof, may be not reproduced in any form without permission of Fiat Auto S.p.A.